

### Specifications

MODEL	850	1200
Tank size	850 gallon	1200 gallon
Boom length, front fold	60', 80', 90'	60', 80', 90'
Boom height adjust	Parallelogram w/rephasing hydraulic cylinders	
Boom suspension	Rubber torsion (Henschen)	
Tire size	850 gallon - 320 (12.4") / 85R38	1200 gallon - 320 (12.4") / 90R46
Adjustable width axles	72" - 120"	72" - 120"
Hitches	Combination pintle/clevis - 76,444 lb rating	
Pumps	Ace FMSC150-HYD-206 (1 1/2" inlet)	Ace FMSC200-HYD-304 (2" inlet)
Spray controllers	Raven 450 variable rate controller and Banjo electric boom control ball valves (60' - 3-bank system; 80', 90' - 4-bank system)	
Spray boom plumbing	Diaphragm triple nozzle bodies (3/4") on 20" nozzle spacings, equipped with secondary in-line strainers and manual fence row nozzles (2).	
Transport width <sup>1</sup>	12'	12'
Transport height <sup>2</sup>	9' 2"	9' 6"
Spray boom height <sup>3</sup>	21" - 62"	25" - 66"
Wheel base	15' 3"	15' 3"

MODEL	850	1200
Fresh water safety tank	15 gallon	15 gallon
Clean water rinse tank	36 gallon	36 gallon
Chemical eductor system*	5.5 gallon hypro clean load	
Quick fill - Solution tank	2"	2"
Quick fill - Clean water rinse tank	2"	2"
Control panel	Forward facing	Forward facing
Ladder & service platform	Standard	Standard
Light kit	Standard	Standard
Hitch jack	Standard	Standard
Foam marker system*	25 gallon	25 gallon
Available colors	Red / Cream Green / Yellow	Red / Cream Green / Yellow
Shipping weight <sup>4</sup>	80' boom - 8,000 lb	80' boom - 8,000 lb
Loaded weight <sup>4</sup>	80' boom - 15,000 lb	80' boom - 17,000 lb
Loaded tongue weights <sup>4</sup>	80' boom - 3,750 lb	80' boom - 3,750 lb

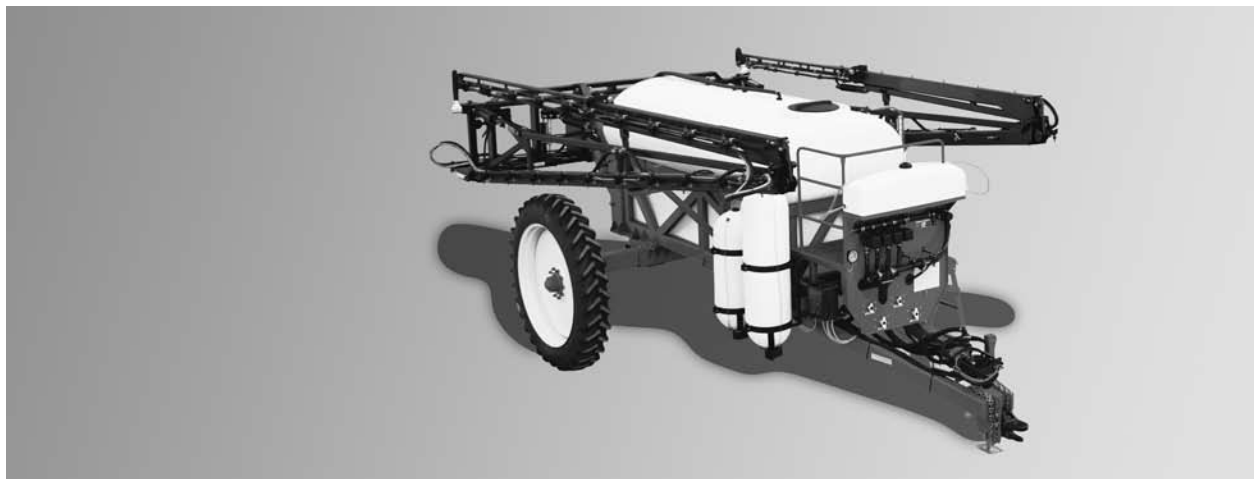
1 May vary depending on cradle adjustments and axle width

2 May vary depending on boom size and tire selection

3 May vary depending on tire selection

4 Approximate weight

\*Field accessories are not factory installed, requires dealer or enduser installation.



## Specifications

MODEL	1600
Tank size	1600 gallon
Boom length, front fold	60', 80', 90'
Boom height adjust	Parallelogram w/rephasing hydraulic cylinders
Boom suspension	Rubber torsion (Henschen) suspension
Tire size	380(14.9)90R46
Axle assemblies	72" - 120" adjustable width axle (10 bolt hubs)
Hitches	Combination pintle/clevis - 76,444 lb rating
Pumps	Ace FMCS200-HYD-304 (2" inlet)
Spray controllers	Raven 450 variable rate controller and Banjo electric boom control ball valves (60' - 3-bank system; 80', 90' - 4-bank system)
Spray boom plumbing	Diaphragm triple nozzle bodies (3/4") on 20" nozzle spacings, equipped with secondary in-line strainers and manual fence row nozzles (2).
Transport width <sup>1</sup>	12'
Transport height <sup>2</sup>	11'
Spray boom height <sup>3</sup>	26" - 72"
Wheel base	16' 4"

MODEL	1600
Fresh water safety tank	15 gallon
Clean water rinse tank	100 gallon
Chemical eductor system*	5.5 gallon Hypro clean load
Quick fill - Solution tank	2"
Quick fill - Clean water rinse tank	2"
Control panel	Forward facing
Ladder & service platform	Standard
Light kit	Standard
Hitch jack	Standard
Foam marker system*	25 gallon
Available colors	Red / Cream Green / Yellow
Shipping weight <sup>4</sup>	8,500 lb
Loaded weight <sup>4</sup>	21,800 lb
Loaded tongue weights <sup>4</sup>	4,500 lb

1 May vary depending on cradle adjustments and axle width

2 May vary depending on boom size and tire selection

3 May vary depending on tire selection

4 Approximate weight

\*Field accessories are not factory installed, requires dealer or enduser installation.

