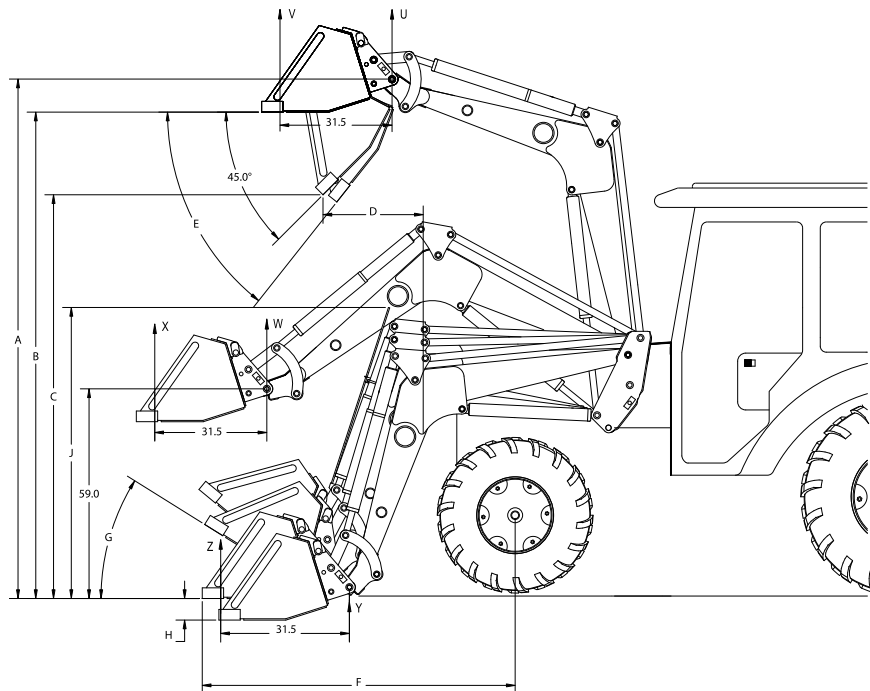


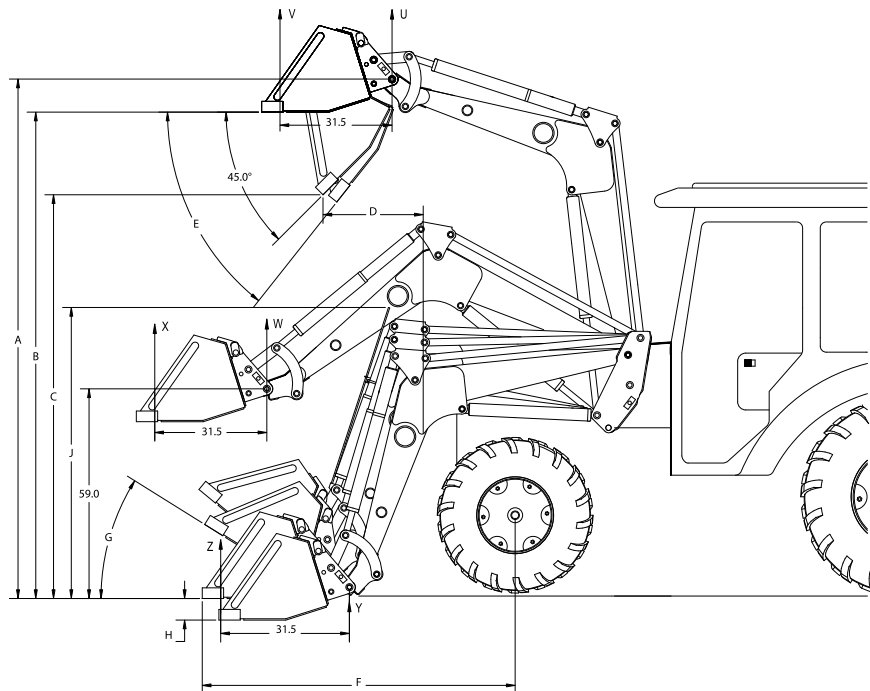
Specifications

95 SERIES SPECIFICATIONS														
ITEM	DESCRIPTION	95	195	295	395	495	495 S	595	595 S	695	795	795 S	895	895 S
A	Maximum lift height to pivot pin (in)	78	90	112	118	127	122	136	131	150	161	154	168	168
B	Maximum lift height under level bucket (in)	74	86	106	111	120	115	129	124	142	154	147	160	160
C	Clearance with bucket dumped (in)	61	74	97	98	101	96	109	104	118	136	129	140	140
D	Reach at maximum lift height (in)	N/A	15	22	20	28	33	32	37	30	26	34	29	41
E	Maximum dump angle (deg)	45	40	25	27	38	38	41	41	59	32	32	40	40
G	Maximum rollback angle (deg)	14	19	32	31	23	20	18	18	34	21	22	22	22
H	Digging depth (in)	3.9	3.3	2.2	2.9	5.2	5.2	5.5	5.5	9.1	4.4	4.4	4.5	4.5
J	Overall height in carry position (in)	48	51	59	59	67	67	75	75	79	81	80	86	86
U	Lift capacity to maximum height - at pivot point (lbs) optional cylinder	525	1150	1625	1500	2075	2100	2425	2450	3275	3100	3175	4675	4675
V	Lift capacity to maximum height (lbs) optional cylinder	350	775	1150	1075	1375	1400	1650	1675	2225	2075	2100	3325	3325
W	Lift capacity to 59 in height - at pivot point (lbs) optional cylinder	650	1400	2000	1800	2650	2775	3650	3775	5250	4900	5150	7400	7400
X	Lift capacity to 59 in height (lbs) optional cylinder	475	1075	1600	1450	1975	2050	2750	2825	4025	3800	3950	5825	5825
Y	Breakout force - at pivot point (lbs) optional cylinder	1200	2175	2775	2425	3475	3750	5425	5825	7375	6825	7500	10150	10150
Z	Breakout force (lbs) optional cylinder	850	1600	2150	1900	2500	2650	3875	4125	5400	5050	5425	7600	7600
Hydraulic pressure rating/flow rate (psi)/gpm		1800/5	2000/5	2500/10		2500/10		2500/15		2500/15		2500/15		2500/20
Tractor size (HP @ normal duty)		15-25	20-35	30-45	35-75	50-100			50-120	75-150	75-150		130-190	
Weight (with bkt & mtg kit) (lbs)		475	775	1285	1515	2070			2190	2585	2760		3390	



Specifications

MIDMOUNT 2000 SERIES SPECIFICATIONS																						
ITEM	DESCRIPTION	2095	2195	2295	2395	2495	2495 TSL	2495 S TSL	2595 2596	2595 2596 TSL	2595 2596 S	2595 S 2596 S TSL	2695	2795 HD	2795 HD TSL	2795 HD S	2795 HD S TSL	2895	2895 TSL	2895 S TSL		
A	Maximum lift height to pivot pin (in)	76	102	112	123	140	140	136	136	145	145	142	142	157	164	164	157	157	181	181	169	169
B	Maximum lift height under level bucket (in)	70	97	100	113	130	130	126	126	135	135	132	132	147	154	154	147	147	171	171	159	159
C	Clearance with bucket dumped (in)	56	81	79	93	107	107	102	102	112	112	108	108	123	130	130	123	123	146	146	134	134
D	Reach at maximum lift height (in)	21	30	22	15	21	21	25	25	29	28	32	32	37	29	29	37	37	29	29	20	20
E	Maximum dump angle (deg)	46	50	51	49	44	44	44	44	48	49	46	48	50	50	50	50	51	62	61	62	61
G	Maximum rollback angle (deg)	22	36	33	39	41	41	41	41	38	38	38	38	34	34	34	34	34	37	37	37	37
H	Digging depth (in)	4.0	3.7	4.0	4	5.0	5.0	5.0	5.0	7.0	7.0	5.5	5.5	4.0	5.0	5.0	4.0	4.0	5.0	5.0	5.0	5.0
J	Overall height in carry position (in)	41	48	58	58	83	86	83	86	85	87	85	86	86	86	87	86	87	101	103	101	103
U	Lift capacity to max height - at pivot point (lbs) optional cylinder	855	1295	3477	3330	4015 6250	6250	4060 6315	6270	3425 5395	5355	3465 5455	5410	3770	3685	3680	3770	3760	7000	6900	6900	6875
V	Lift capacity to max height (lbs) optional cylinder	598	853	2560	2450	2605 4050	4050	2620 4075	4045	2330 3670	3645	2335 3680	3650	2660	2610	2605	2660	2665	4950	4950	4925	4925
W	Lift capacity to 59 in height - at pivot point (lbs) optional cylinder	930	1625	4176	3826	4220 6590	6590	4430 6895	6834	3995 6280	6220	4200 6570	6510	5350	5010	5020	5350	5355	7650	7650	8375	8400
X	Lift capacity to 59 in height (lbs) optional cylinder	686	1255	3348	3122	3190 4985	4990	3315 5160	5155	3050 4795	4750	3170 4965	4920	4130	3915	3920	4130	4130	6125	6125	6600	6600
Y	Breakout force - at pivot point (lbs) optional cylinder	1420	2360	5656	4871	4845 7535	7545	5215 8070	8005	4795 7490	7425	5180 8040	7970	7145	6440	6460	7145	7160	8475	8500	9950	9950
Z	Breakout force (lbs) optional cylinder	1004	1738	4349	3858	3515 5465	5475	3715 5750	5705	3480 5435	5385	3695 5735	5690	5185	4780	4795	5185	5190	6550	6550	7450	7475
Hydraulic pressure rating/flow rate (psi)/(gpm)		1800/5	2000/5	2500/10		2500/15				2500/15				2500/15				2500/20				
Tractor size (HP @ normal duty)		15-25	20-35	30-45	35-75	50-100				50-120				75-130	75-130				130-275			
Weight (with bkt & mtg kit) (lbs)		500	600	1380	1395	2100				2200				2800	2800				3800			



Specifications

MATERIAL BUCKET SPECIFICATIONS - 95 SERIES			
LOADER	DESCRIPTION	WEIGHT	CAPACITY
95 / 195	48" standard bucket	120 lbs	6.3 cu. ft.
	60" standard bucket	140 lbs	7.9 cu. ft.
	60" large capacity bucket	220 lbs	11 cu. ft.
295 / 395	60" standard bucket	320 lbs	15 cu. ft.
	72" standard bucket	390 lbs	19 cu. ft.
495 / 595 / 695	60" standard bucket	430 lbs	19 cu. ft.
	72" standard bucket	490 lbs	0.85 cu. yd.
	84" standard bucket	645 lbs	1.00 cu. yd.
	84" snow bucket	1056 lbs	2.00 cu. yd.
795	72" standard bucket	490 lbs	0.85 cu. yd.
	84" standard bucket	640 lbs	1.00 cu. yd.
	84" large capacity bucket	767 lbs	1.35 cu. yd.
	96" standard bucket	780 lbs	1.14 cu. yd.
	96" snow bucket	1140 lbs	2.25 cu. yd.
895	96" snow bucket	1140 lbs	2.25 cu. yd.
	100" standard bucket	860 lbs	1.19 cu. yd.
	100" large capacity bucket	905 lbs	1.65 cu. yd.

MATERIAL BUCKET SPECIFICATIONS - MIDMOUNT 2000 SERIES			
LOADER	DESCRIPTION	WEIGHT	CAPACITY
2095 / 2195	48" standard bucket	130 lbs	6.3 cu. ft.
	60" standard bucket	175 lbs	7.9 cu. ft.
	60" large capacity	220 lbs	11 cu. ft.
2295 / 2395	60" standard bucket	330 lbs	15 cu. ft.
	72" standard bucket	380 lbs	19 cu. ft.
2495 / 2595	60" standard bucket	400 lbs	19 cu. ft.
	72" standard bucket	510 lbs	0.85 cu. yd.
	84" large capacity bucket	695 lbs	1.00 cu. yd.
	84" snow bucket	1056 lbs	2.00 cu. yd.
2695	72" standard bucket	520 lbs	0.85 cu. yd.
	84" standard bucket	767 lbs	1.00 cu. yd.
	84" snow bucket	1140 lbs	2.25 cu.yd.
	100" standard bucket	810 lbs	1.19 cu. yd.
2795	84" large capacity bucket	767 lbs	1.35 cu. yd.
	84" snow bucket	1140 lbs	2.25 cu.yd.
	96" snow bucket	1140 lbs	2.25 cu.yd.
	100" large capacity bucket	964 lbs	1.65 cu. yd.
2895	84" large capacity bucket	767 lbs	1.35 cu. yd.
	96" snow bucket	1140 lbs	2.25 cu.yd.
	100" large capacity bucket	960 lbs	1.65 cu. yd.

