

GENERAL NOTES REGARDING LOADER MOUNTING KITS



Caution

Maximum rated loader capacity may exceed tractor rating. Load restrictions or reduction in hydraulic operating pressure may be required for safe operation.



Warning

The tractor must be equipped with an approved Roll Over Protection Structure (ROPS) and safety belt to prevent personal injury or death caused by tractor roll over. Rear tractor ballast may also be required.

- Specifications are subject to change without notice or obligation.
- Tractor models that do not appear in this listing have not been mounted with a Buhler loader at the time of publication. Consult factory for updated information.
- If two different loader models are listed for the same tractor, the smaller loader is for regular duty applications only.
- Unless stated otherwise, mountings are designed to fit with standard tractor equipment.
- Unless stated otherwise, mountings are designed to fit tractors with standard tires. We cannot guarantee tire clearance on tractors with oversized or special tires. Tread must not exceed maximum recommended width.
- Space tires as recommended by the tractor manufacture. Maximize width for high lift applications.
- Do not exceed the manufacturer's rating for maximum gross vehicle weight. Refer to the Tractor Manual or the ROPS serial decal for rating. Do not alter or modify the ROPS structure.
- Rear ballast is required to ensure 25% of gross vehicle weight is transferred to the rear axle. Attachment and load must be included as weight. Adequate rear weights are required to counterbalance maximum loader capacity and ensure safe loader operation.
- Row Crop tractors typically are narrower than standard configuration with higher ground clearance. For identical model numbers RC designates row crop. Unless specified the standard mounting kit may not fit.
- Front tire interference may occur when tires are spaced for 30" row centers. Verify clearances prior to loader operation.
- Right hand access to tractor may be restricted when using remote valve or joystick stand

IMPORTANT NOTE

Tractors may vary within similar/identical model numbers. Contact your Buhler distributor or the factory if you require any assistance or information. Alterations on mounting kits will not be covered by warranty unless prior approval from head office in Winnipeg has been obtained. Modifications to mounting kits to fit tractors not listed will be at the dealer's or end user's expense.

ORDERING INFORMATION

Stock loaders and mounting kits available in Winnipeg or any Buhler warehouse are shipped within 3 working days. Allow extra time for custom color loaders other than charcoal (grey). Mounting kits made to order will be shipped from Winnipeg within 5 working days. Shipment from a distributor warehouse may vary. Please contact your local supplier.

ABBREVIATIONS

S - Short Loader Assembly
 TSL- True Mechanical Self-Leveling
 RC- Row Crop
 PS- Power Steering
 ROPS- Rollover Protective Structure
 IN HKIT- In Hose Kit

IN VKIT – In Valve Kit
 AB- Axle Bracket
 Std- Standard
 2wd- Two Wheel Drive
 4wd- Mechanical front wheel assist

LOADER ASSEMBLIES

<u>LOADER</u>	<u>WHOLE GOOD</u>	<u>LOADER</u>	<u>WHOLE GOOD</u>
95	X0955	2596TSL	M525963
2095	M020955	595 TSL	X55955 or X55953
195	X01955	S595 TSL	X65955
2195	M021952	695	X06953
295	X02952	695 TSL	X56953
2295	M022955	2695	M026953
395	X03952 or X03955	2795HD	MHD027953
2395	M023955	S2795HD	MHD227953
2495	M024955	795	X07953
S2495	M224955	S2795HDTSL	MHD627953
495	X04955	2795HDTSL	MHD527953
S495	X24955	795TSL	X57953
2595	M025955	S2895	M228955
S2595	M225955	2895	M028955
2596	M025965	895	X08955
S2596	M225965	S895	X28955
595	X05955 or X05953	S2895TSL	M628955
S595	X25955 or X25953	2895TSL	M528955
2595TSL	M525953	895TSL	X58955

Note: For Loaders with Euro Quick tach add the suffix E to the model number. Available only on the 2000 series starting with the 2495 and up.

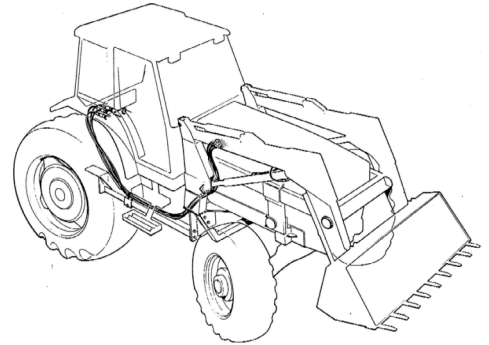
KIT PRICING

A price classification code is listed under the “\$” for each mounting and hose kit “C”. Class designation differs for mounting and hose kits. Please refer to the loader price pages for actual prices.

HOSE KITS

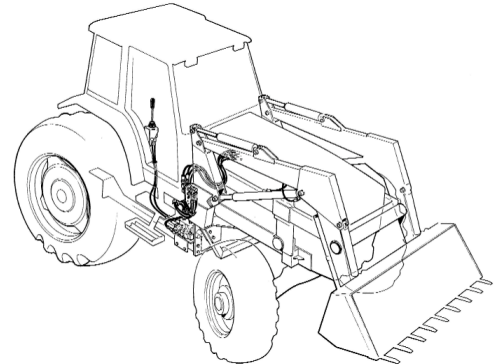
KIT "A"

- Loader powered by the tractor remotes.
- Consists of 4 hoses leading from loader tubing to tractor remote couplers.



KIT "C"

- Loader operated by an external valve that is plumbed into the tractor hydraulic system.
- Consists of 4 hoses leading from loader tubing to external mounted valve plus the necessary fittings, hoses and adaptor blocks (if necessary) to tap into tractor hydraulic system.
- Select valve type as indicated in the Valve Kit C. column of Mounting Kit Listing.



HOSE KIT "B" & "C" NOTE Non-cab tractors will require a manual joystick or lever control hydraulic valve kit. Cab tractors will require a remote joystick control hydraulic valve kit. Refer to the Hydraulic Control option and Accessories page within the Price Book.

VALVE APPLICATIONS

OPEN CENTER (OC)

An open center valve is used with hydraulics systems where a gear or vane pump maintains a constant volume but varies pressure depending on load. The loader valve's preset internal relief protects the system. The valve is plumbed with flow entering the inlet port and exiting the tank port directly to a reservoir. A hydraulic block is required in the majority of applications.



Caution

The tank port must not provide downstream hydraulic power. Back-pressure will cause the spool seal o-rings to rupture, causing external oil leaks. For downstream hydraulic power use power beyond configuration.

OPEN CENTER POWER BEYOND (PB)

An open center power beyond valve is used on the same hydraulic system as the open center valve. The valve is plumbed prior to the tractor or three-point hitch valve with flow entering the inlet port. The downstream hydraulic power from the power beyond port (high pressure carryover outlet) is directed to the tractor or three point hitch valve. The tank port is directly connected to a reservoir. Compression fittings used to splice steel lines or a hydraulic block fitted before the tractor or three-point hitch valve are required in the majority of applications.

CLOSED CENTER (CC)

A closed center valve is used with hydraulic systems where a variable displacement type pump maintains a constant pressure but varies in flow depending on the requirement. The hydraulic system is protected by its own built in relief valve. The valve is normally plumbed by teeing into existing pressure and tank lines before the tractor valve. The valve is plumbed with flow entering the inlet port and exiting the tank port directly to a reservoir. A closed center plug located on the tank end cover must be used (included in the valve kit).

CLOSED CENTER LOAD SENSE (LS)

A closed center load sense valve is used with hydraulic systems having a piston or a combined gear and piston pump that will constantly operate at low pressure and volume until the pump receives a signal. This signal is sent via the load sense loader valve pilot line that is plumbed to the pump compensator. The hydraulic system is protected by its own built in relief valve. The valve is normally plumbed by teeing into existing pressure and tank lines. The valve is plumbed with flow entering the inlet port and exiting the tank port directly to a reservoir. The pilot line may require a shuttle tee or check valve to be plumbed directly to the pump compensator on the tractor. A hydraulic block may be required to supply pressure, tank and signal.



Warning

Tractor power steering must work normally when operating the loader.

TRACTOR			MOUNTING KIT						HOSE KIT				
Model	DRIVE	TYPE	NOTES	LDR	KIT	WGT. [LB]	\$	AXLE BARS	KIT "A"	KIT "C"	\$	VALVE KIT	JOYSTICK STAND
CASE			CASE										
970	2	Cab		2795HD	M2991HD	1150	17	AB	X8364	X3089	5	X2040N	X1039/X1040
1070	2	Cab		2795HD	M2991HD	1150	17	AB	X8364	X3089	5	X2040N	X1039/X1040
1270	2	Cab		2695	M3350	1150	17	AB	X8364	X3089	5	X2040N	X1039/X1040
2294	2	Cab	DI, HZ	S2895	M3175	1300	19	AB	X8364	X1252	7	X2041N	X1039/X1040
CASE IH			CASE IH										
JX85	2	ROPS	L,HU	S2595	M2821	625	10		X6998	X2827	4	X2040N	INHKIT
JX85	4	ROPS	L,HU	S2595	M2821	625	10		X6998	X2827	4	X2040N	INHKIT
JX95	2	Cab		S2596	M2978	750	11		X6998	X2827	4	X2040N	INHKIT
JX95	2	ROPS		S2596	M2978	750	11		X6998	X2827	4	X2040N	INHKIT
JX1070C	4	ROPS	MF,NY	S2595	M3161	650	10		X6982	X3168	5	X2017N	INHKIT
JX80U	4	ROPS		S2595	M2809	650	10	AB	X6998	X2849	4	X2040N	INHKIT
JX100U	4	ROPS		S2595	M2809	650	10	AB	X6998	X2849	4	X2040N	INHKIT
JX1090U	4	Cab	OE	S2595	M2809	650	10	AB	X6998	X2849	4	X2040N	INHKIT
JX1100U	4	Cab	OE	S2595	M2809	650	10	AB	X6998	X2849	4	X2040N	INHKIT
MX80C	4	Cab		2596	M2757	650	10		X8364	X1883	12	X2041N	INHKIT
MX135	4	Cab	MK	2795HD	M2259HD	950	14		X8364	X1883	12	X2041N	Not Required
Puma195	4	Cab		2895	M3617	955	14		X8364	X3623		X2041N	INHKIT
CENTURY			CENTURY										
2028	4	ROPS		195	Q2924	350	6	AB		X2925	1	X2021	INVKIT
2535	4	ROPS		195	Q2924	350	6	AB		X2925	1	X2021	INVKIT
CHALLENGER			CHALLENGER										
MT225	4	ROPS		95	Q2685	175	3	AB		X1768	3	X2021	INVKIT
MT265 PS	4	ROPS		195	Q2635	240	4	AB		X9344	4	X2021/X2906	INVKIT
MT285 PS	4	ROPS		195	Q2635	240	4	AB		X9344	4	X2021/X2906	INVKIT
MT425	4	Cab	NA	S2595	M2110	750	11	AB	X6998	X2197	6	X2040N	INHKIT
MT425	4	ROPS		S2595	M2244	800	12	AB	X6998	X2080	7	X2024	INHKIT
MT445	4	Cab	NA	S2595	M2110	750	11	AB	X6998	X2197	6	X2040N	INHKIT
MT445	4	ROPS		S2595	M2244	800	12	AB	X6998	X2080	7	X2024	INHKIT
MT465	4	ROPS		S2595	M2244	800	12	AB	X6998	X2080	7	X2024	INHKIT
MT545	4	Cab		2596	M2741	750	11	AB	X8364	X2762	5	X2018	INHKIT
MT525B Techstar	4	Cab	KJ,NF	S2895	M3328	980	15		X8364	X2982	9	X2041N	IN HKIT
MT525B Autopower	4	Cab	KJ,NF	S2895	M3254	1300	15		X8364	X2982	9	X2041N	IN HKIT
MT535B Techstar	4	Cab	KJ,NF	S2895	M3328	980	15		X8364	X2982	9	X2041N	IN HKIT
MT525B Autopower	4	Cab	KJ,NF	S2895	M3254	1300	15		X8364	X2982	9	X2041N	IN HKIT

TRACTOR			MOUNTING KIT						HOSE KIT				
Model	DRIVE	TYPE	NOTES	LDR	KIT	WGT. [LB]	\$	AXLE BARS	KIT "A"	KIT "C"	\$	VALVE KIT	JOYSTICK STAND
MT545B Techstar	4	Cab	KJ,NF	S2895	M3328	980	15		X8364	X2982	9	X2041N	IN HKIT
MT525B Autopower	4	Cab	KJ,NF	S2895	M3254	1300	15		X8364	X2982	9	X2041N	IN HKIT
MT555B Techstar	4	Cab	KJ,NF	S2895	M3328	980	15		X8364	X2982	9	X2041N	IN HKIT
MT525B Autopower	4	Cab	KJ,NF	S2895	M3254	1300	15		X8364	X2982	9	X2041N	IN HKIT
MT565B Autopower	4	Cab	KJ,NF	S2895	M3254	1300	15		X8364	X2982	9	X2041N	IN HKIT
CUB CADET													
7252	2	ROPS		95	Q2759	225	4	AB		X2777	1	X2024	INVKIT
7264	4	ROPS		95	Q2759	225	4	AB		X2777	1	X2024	INVKIT
DEUTZ & DEUTZ ALLIS													
Agroplus 75	4	Cab	LV	S2595	M2272	580	9		X6998	X2339	5	X2040N	INHKIT
Agrotron 105	4	Cab	MA	2795HD	M2414HD	1075	16	AB	X6998	X2424	6	X2041N	INHKIT
Agrotron 130	4	Cab	NA	S2895	M3030	910	14		X6998	X3049	9	X2041N	INHKIT
Agrotron 140	4	Cab	NA	S2895	M3030	910	14		X6998	X3049	9	X2041N	INHKIT
Agrotron 165	4	Cab	NA	S2895	M3030	910	14		X6998	X3049	9	X2041N	INHKIT
FENDT													
411	4	Cab		2595	M2917	700	11		X6998				
FORD													
6700	2	ROPS		2595	M2721	700	11	AB	X6998	N/A	N/A	N/A	N/A
6700	4	ROPS		2595	M2721	700	11	AB	X6998	N/A	N/A	N/A	N/A
6710 I & II	2	ROPS		2595	M2721	700	11	AB	X6998	N/A	N/A	N/A	N/A
6710 I & II	4	ROPS		2595	M2721	700	11	AB	X6998	N/A	N/A	N/A	N/A
7700	4	Cab		2595	M2721	700	11	AB	X6998	N/A	N/A	N/A	N/A
7710 I & II	2	Cab		2595	M2721	700	11	AB	X6998	N/A	N/A	N/A	N/A
7710 I & II	4	Cab		2595	M2721	700	11	AB	X6998	N/A	N/A	N/A	N/A
7840	2	Cab	FX	2595	M2724	825	12	AB	X6998	X2731	9	X2041N	INHKIT
7840	2	ROPS	FX	2595	M2724	825	12	AB	X6998	X2731	9	X2041N	INHKIT
7840	4	ROPS	FX	2595	M2724	825	12	AB	X6998	X2731	9	X2041N	INHKIT
TW 5-II	2	Cab	FP	2795HD	M2642HD	900	14	AB	X6998	X2659	6	X2041N	INHKIT
TW 5-II	4	Cab	FP	2795HD	M2642HD	900	14	AB	X6998	X2659	6	X2041N	INHKIT
TW 10-II	2	Cab	FP	2795HD	M2642HD	900	14	AB	X6998	X2659	6	X2041N	INHKIT
TW 10-II	4	Cab	FP	2795HD	M2642HD	900	14	AB	X6998	X2659	6	X2041N	INHKIT
TW 15-II	2	Cab	FP	2795HD	M2642HD	900	14	AB	X6998	X2659	6	X2041N	INHKIT
TW 15-II	4	Cab	FP	2795HD	M2642HD	900	14	AB	X6998	X2659	6	X2041N	INHKIT
TW 20-II	2	Cab	FP	2795HD	M2642HD	900	14	AB	X6998	X2659	6	X2041N	INHKIT
TW 20-II	4	Cab	FP	2795HD	M2642HD	900	14	AB	X6998	X2659	6	X2041N	INHKIT

TRACTOR			MOUNTING KIT						HOSE KIT				
Model	DRIVE	TYPE	NOTES	LDR	KIT	WGT. [LB]	\$	AXLE BARS	KIT "A"	KIT "C"	\$	VALVE KIT	JOYSTICK STAND
TW 35-II	2	Cab	FP	2795HD	M2642HD	900	14	AB	X6998	X2659	6	X2041N	INHKIT
TW 35-II	4	Cab	FP	2795HD	M2642HD	900	14	AB	X6998	X2659	5	X2041N	INHKIT
INTERNATIONAL HARVESTOR											INTERNATIONAL HARVESTOR		
786	2	Cab	FZ, MQ	2695	M3407	1280	18	AB	X8364	X2879	3	X2040N	INHKIT
786	2	Cab	FZ, MQ	2596	M2859	1080	16	AB	X8364	X2879	3	X2040N	INHKIT
886	2	Cab	FZ, MQ	2695	M3407	1280	18	AB	X8364	X2879	3	X2040N	INHKIT
886	2	Cab	FZ, MQ	2596	M2859	1080	16	AB	X8364	X2879	3	X2040N	INHKIT
986	2	Cab	FZ, MQ	2695	M3407	1280	18	AB	X8364	X2879	3	X2040N	INHKIT
986	2	Cab	FZ, MQ	2596	M2859	1080	16	AB	X8364	X2879	3	X2040N	INHKIT
1486	2	Cab	FZ, MQ	2795HD	M2859HD	1280	18	AB	X8364	X2879	3	X2040N	INHKIT
1586	2	Cab	FZ, MQ	2795HD	M2859HD	1280	18	AB	X8364	X2879	3	X2040N	INHKIT
JINMA											JINMA		
184	4	ROPS		95	Q2115	210	4	AB	X1172	X2780	5	X2021	INVKIT
JOHN DEERE											JOHN DEERE		
1830	2	ROPS		2595	M2451	630	10		X6998	X7026	2	X2023	Not Required
1840	2	ROPS		2595	M2451	630	10		X6998	X7026	2	X2023	Not Required
2020	2	ROPS		2595	M2451	630	10		X6998	X7026	2	X2023	Not Required
2040	2	ROPS		2595	M2451	630	10		X6998	X7026	2	X2023	Not Required
2120	2	ROPS		2595	M2451	630	10		X6998	X7026	2	X2023	Not Required
2130LS	2	ROPS		2595	M2451	630	10		X6998	X7026	2	X2023	Not Required
2130	2	ROPS		2495	M2638	600	9		X6998	X7026	2	X2023	Not Required
2240	2	ROPS		2595	M2451	630	10		X6998	X7026	2	X2023	Not Required
2320	4	ROPS		2095	M3621								
2440	2	ROPS		2595	M2451	630	10		X6998	X7026	2	X2023	Not Required
2630	2	ROPS		2595	M2451	630	10		X6998	X7026	2	X2023	Not Required
2640	2	ROPS		2595	M2451	630	10		X6998	X7026	2	X2023	Not Required
2940	2	Cab		2595	M2772	775	11		X6998	X2164	3	X2041N	X1039/X1040
2940	4	Cab		2795HD	M3014HD	1000	15		X6998	X2164	3	X2041N	X1039/X1040
2950	4	Cab		2795HD	M3014HD	1000	15		X6998	X2164	3	X2041N	X1039/X1040
4010	2	ROPS		2595	M2794	750	11		X8364	X2154	3	X2041N	X1039/X1040
4020	2	ROPS		2595	M2794	750	11		X8364	X2154	3	X2041N	X1039/X1040
4120	4	ROPS	FQ	295	Q3198	370	6		X3406				
4650	2	Cab	JZ	2895	M2768	1270	18		X8364	X1869	4	X2041N	INHKIT
4650	4	Cab	JZ	2895	M2768	1270	18		X8364	X1869	4	X2041N	INHKIT
4755	2	Cab	JZ	2895	M2768	1270	18		X8364	X1869	4	X2041N	INHKIT

TRACTOR			MOUNTING KIT						HOSE KIT				
Model	DRIVE	TYPE	NOTES	LDR	KIT	WGT. [LB]	\$	AXLE BARS	KIT "A"	KIT "C"	\$	VALVE KIT	JOYSTICK STAND
4755	4	Cab	JZ	2895	M2768	1270	18		X8364	X1869	4	X2041N	INHKIT
4955	2	Cab		2895	M2768	1270	18		X8364			X2041N	
5105	4	ROPS	GQ	395	Q3114	300	6		X6982	X1811	4	X2024	IN V KIT
5203	2	ROPS		S2495	M2989	475	8		X6982	X1811	4	X2024	IN V KIT
5205	4	ROPS		S495	Q3379	300	6		X6982	X1811	4	X2024	IN V KIT
5225	4	Cab		2596	M3331	625	10		X6998			X2040N	
5420	4	Cab	FQ	2495	M3244	545	9		X2667			X2040N	IN V KIT
5420	2	Cab	FQ	2495	M3244	545	9		X2667			X2040N	IN V KIT
5420	2	ROPS	FQ	2495	M2665	545	9		X2667	X1811	4	X2024	IN V KIT
5520	2	Cab	FQ	2495	M3244	545	9		X2667			X2040N	IN V KIT
6430	4	Cab		695	Q3624	377	7		X6998				
5520	2	ROPS	FQ	2495	M2665	545	9		X2667	X1811	4	X2024	IN V KIT
7405	4	Cab	DF,MC	2596	M2506	550	9		X8364	X2346	5	X2041N	INHKIT
8130 IVT	4	Cab		2895	M3470	1000	15		X2837				Not Required
8230 IVT	4	Cab		2895	M3470	1000	15		X2837				Not Required
8330 IVT	4	Cab		2895	M3470	1000	15		X2837				Not Required
KUBOTA													KUBOTA
B8200 DT/HST	4	ROPS	AC, N	95	Q8673	170	3			X8306	5	X2021	IN V KIT
L3430	4	ROPS		295	Q2778	270	5	AB	X6982	X2793	5	X2024	INVKIT
L4330	4	ROPS		395	Q2781	325	6	AB	X6982	X2793	5	X2024	INVKIT
L4330	4	ROPS		S2495	M2788	500	8	AB	X6982	X2793	5	X2024	INVKIT
M4900SU/SUD	2	ROPS	HU	S2495	M2563	690	10		X6982	X2578	5	X2009	INVKIT
M4900SU/SUD	4	ROPS	HU	S2495	M2563	690	10		X6982	X2578	5	X2009	INVKIT
M5700SU/SUD	2	ROPS	HU	S2495	M2563	690	10		X6982	X2578	5	X2009	INVKIT
M8200	4	Cab		S2595	M2061	800	12		X6998	X2003	6	X2017N	INHKIT
M8200	4	ROPS	FA	2595	M2378	790	12		X6998	X2379	6	X2009	INVKIT
LANDINI													LAMBORGHINI
LandPower 125	4	Cab		2795HD	M3629HD	990	14	AB	X6998	X2701	9	X2040N	INVKIT
LAMBORGHINI													LAMBORGHINI
1060	4	Cab	EG	2596	M2469	800	12	AB	X6982	X1763	6	X2040N	INHKIT
1350	4	Cab	MB	2795HD	M2435HD	800	12	AB	X6998	X2327	5	X2040N	INHKIT
LONG													LONG
Farmtrac 45	2	ROPS	FJ	395	Q9696	210	4		X6998	X1747	1	X2024	IN V KIT
Farmtrac 535	2	ROPS	FJ	395	Q9696	210	4		X6998	X1747	1	X2024	IN V KIT
Farmtrac 545	2	ROPS	FJ	395	Q9696	210	4		X6998	X1747	1	X2024	IN V KIT

TRACTOR			MOUNTING KIT						HOSE KIT				
Model	DRIVE	TYPE	NOTES	LDR	KIT	WGT. [LB]	\$	AXLE BARS	KIT "A"	KIT "C"	\$	VALVE KIT	JOYSTICK STAND
Farmtrac 555	2	ROPS	FJ	395	Q9696	210	4		X6998	X1747	1	X2024	IN V KIT
MASSEY FERGUSON								MASSEY FERGUSON					
1417	4	ROPS		95	Q1767	190	4	AB		X1768	2	X2021	INVKIT
1423	4	ROPS	F	95	Q1808	200	4	AB		X1768	2	X2021	INVKIT
1423	4	ROPS	KZ	95	Q2257	170	4	AB		X1768	2	X2021	INVKIT
1429	4	ROPS	FD	195	Q9313	140	3			X9344	3	X2021	INVKIT
1533	4	ROPS		295	Q3157	260	5	AB		X3177	3	X2908	INVKIT
4225	2	Cab	JV	S2595	M2110	750	11	AB	X6998	X2197	6	X2040N	INHKIT
4225	2	ROPS	JV	S2595	M2244	800	12	AB	X6998	X2080	7	X2024	INHKIT
4233	2	Cab	JV	S2595	M2110	750	11	AB	X6998	X2197	6	X2040N	INHKIT
4233	2	ROPS	JV	S2595	M2244	800	12	AB	X6998	X2080	7	X2024	INHKIT
4233	4	Cab	JV	S2595	M2110	750	11	AB	X6998	X2197	6	X2040N	INHKIT
4233	4	ROPS	JV	S2595	M2244	800	12	AB	X6998	X2080	7	X2024	INHKIT
4235	2	Cab	JV	S2595	M2110	750	11	AB	X6998	X2197	6	X2040N	INHKIT
4235	2	ROPS	JV	S2595	M2244	800	12	AB	X6998	X2080	7	X2024	INHKIT
4235	4	ROPS	JV	S2595	M2244	800	12	AB	X6998	X2080	7	X2024	INHKIT
4243	2	Cab	JV	S2595	M2110	750	11	AB	X6998	X2197	6	X2040N	INHKIT
4243	2	ROPS	JV	S2595	M2244	800	12	AB	X6998	X2080	7	X2024	INHKIT
4243	4	Cab	JV	S2595	M2110	750	11	AB	X6998	X2197	6	X2040N	INHKIT
4243	4	ROPS	JV	S2595	M2244	800	12	AB	X6998	X2080	7	X2024	INHKIT
4245	2	Cab	JV	S2595	M2110	750	11	AB	X6998	X2197	6	X2040N	INHKIT
4245	2	ROPS	JV	S2595	M2244	800	12	AB	X6998	X2080	7	X2024	INHKIT
4245	4	Cab	JV	S2595	M2110	750	11	AB	X6998	X2197	6	X2040N	INHKIT
4245	4	ROPS	JV	S2595	M2244	800	12	AB	X6998	X2080	7	X2024	INHKIT
4253	2	Cab	JV	S2595	M2110	750	11	AB	X6998	X2197	6	X2040N	INHKIT
4253	2	ROPS	JV	S2595	M2244	800	12	AB	X6998	X2080	7	X2024	INHKIT
4253	4	ROPS	JV	S2595	M2244	800	12	AB	X6998	X2080	7	X2024	INHKIT
4255	2	ROPS	JV	S2595	M2244	800	12	AB	X6998	X2080	7	X2024	INHKIT
4263	4	Cab	JV	2595	M2204	880	13	AB	X6998	X2197	6	X2040N	INHKIT
4270	2	Cab	JV	2595	M2204	880	13	AB	X6998	X2197	6	X2040N	INHKIT
4325	2	Cab	JV	S2595	M2110	750	11	AB	X6998	X2663	8	X2040N	INHKIT
4335	2	Cab	JV	S2595	M2110	750	11	AB	X6998	X2663	8	X2040N	INHKIT
4335	4	Cab	JV	S2595	M2110	750	11	AB	X6998	X2663	8	X2040N	INHKIT
4345	4	Cab	JV	S2595	M2110	750	11	AB	X6998	X2663	8	X2040N	INHKIT

TRACTOR			MOUNTING KIT						HOSE KIT				
Model	DRIVE	TYPE	NOTES	LDR	KIT	WGT. [LB]	\$	AXLE BARS	KIT "A"	KIT "C"	\$	VALVE KIT	JOYSTICK STAND
4355	2	Cab	JV	S2595	M2110	750	11	AB	X6998	X2663	8	X2040N	INHKIT
4360	2	Cab	JV	2595	M2204	880	13	AB	X6998	X2663	8	X2040N	INHKIT
4360	4	Cab	JV	2595	M2204	880	13	AB	X6998	X2663	8	X2040N	INHKIT
4370	2	Cab	JV	2595	M2204	880	13	AB	X6998	X2663	8	X2040N	INHKIT
4370	4	Cab	JV	2595	M2204	880	13	AB	X6998	X2663	8	X2040N	INHKIT
5435	4	Cab	L	S2595	M3091	750	11	AB	X6998	X3104	6	X2040N	INHKIT
5435	4	ROPS		S2595	M3091	750	11	AB	X6998	X3104	6	X2040N	INHKIT
5445	4	Cab	L	S2595	M3091	750	11	AB	X6998	X3104	6	X2040N	INHKIT
6270	2	Cab	JC	2795HD	M2254HD	1050	16	AB	X6998	X1977	10	X2017N	INHKIT
6270	2	Cab	JD	2795HD	M2254HD	1050	16	AB	X6998	X2263	6	X2018	INHKIT
6280	2	Cab	JC	2795HD	M2254HD	1050	16	AB	X6998	X1977	10	X2017	INHKIT
6280	2	Cab	JD	2795HD	M2254HD	1050	16	AB	X6998	X2263	6	X2018	INHKIT
6290	2	Cab	JC	2795HD	M2254HD	1050	16	AB	X6998	X1977	10	X2017	INHKIT
6290	2	Cab	JD	2795HD	M2254HD	1050	16	AB	X6998	X2263	6	X2018	INHKIT
8140	4	Cab	JG	S2895	M2541	1275	18		X6998	X2496	9	X2041N	INHKIT
8150	4	Cab	JG	S2895	M2541	1275	18		X6998	X2496	9	X2041N	INHKIT
8160	4	Cab	JG	S2895	M2541	1275	18		X6998	X2496	9	X2041N	INHKIT
8220	4	Cab		S2895	M2818	1275	18		X8364	X2396	7	X2041N	INHKIT
MCCORMICK												McCORMICK	
C70	2	ROPS		2595	M2051	900	13		X6998	X1006	2	X2024	INVKIT
C80	2	ROPS		2595	M2051	900	13		X6998	X1006	2	X2024	INVKIT
C80	4	ROPS		2595	M2051	900	13		X6998	X1006	2	X2024	INVKIT
C90	2	ROPS		2595	M2051	900	13		X6998	X1006	2	X2024	INVKIT
C90	4	ROPS		2595	M2051	900	13		X6998	X1006	2	X2024	INVKIT
C100	2	ROPS		2595	M2051	900	13		X6998	X1006	2	X2024	INVKIT
C100	4	ROPS		2595	M2051	900	13		X6998	X1006	2	X2024	INVKIT
CX50	2	ROPS		S2595	M2448	600	9		X6998	X1776	3	X2040N	INHKIT
CX50	2	Cab		S2595	M2448	600	9		X6998	X1776	3	X2040N	INHKIT
CX50	4	ROPS		S2595	M2448	600	9		X6998	X1776	3	X2040N	INHKIT
CX50	4	Cab		S2595	M2448	600	9		X6998	X1776	3	X2040N	INHKIT
CX60	2	ROPS		S2595	M2448	600	9		X6998	X1776	3	X2040N	INHKIT
CX60	2	Cab		S2595	M2448	600	9		X6998	X1776	3	X2040N	INHKIT
CX60	4	ROPS		S2595	M2448	600	9		X6998	X1776	3	X2040N	INHKIT
CX60	4	Cab		S2595	M2448	600	9		X6998	X1776	3	X2040N	INHKIT

TRACTOR			MOUNTING KIT						HOSE KIT				
Model	DRIVE	TYPE	NOTES	LDR	KIT	WGT. [LB]	\$	AXLE BARS	KIT "A"	KIT "C"	\$	VALVE KIT	JOYSTICK STAND
F90XL	4	Cab		295	Q2752	450	8	AB	X6998				
NEW HOLLAND									NEW HOLLAND				
TC21D	4	ROPS		2095	M3249	150	3			X1835	1	X2906	IN V KIT
TC23DA	4	ROPS	F, Q	2095	M3414	150	3			X1835	1	X2906	IN V KIT
TC45D	4	ROPS		195	Q2700	190	4		X6982	X2718	2	X2021	INHKIT
TC48DA	4	ROPS		295	Q3352	300	5		X6982	X3353	5	X2024	IN V KIT
TN70A	4	ROPS	HU	S2495	M3246	600	9		X6982	X2078	3	X2024	INVKIT
TN70DA	4	Cab	NV	S2495	M3134	600	9		X6982			X2017	
TN75A	4	ROPS	HU	S2495	M3246	600	9		X6982	X2078	3	X2024	INVKIT
TN75DA	4	Cab	NV	S2495	M3134	600	9		X6982			X2017	
TT45A	2	ROPS		2295	M3612	385				X3587		X2021	INVKIT
TT75A	2	ROPS		S2495	M3585					X3587		X2024	INVKIT
TZ18DA	4	ROPS	F, OD, Q	2095	M3250	150	3			X3256	1	X2021	IN V KIT
TZ22DA	4	ROPS	F, OD, Q	2095	M3250	150	3			X3256	1	X2021	IN V KIT
RANCHHAND									RANCHHAND				
DXL4452	4	ROPS	HU,OB	295	Q3527	270	5	AB		X3232	5	X2024	INHKIT
SONALIKA									SONALIKA				
DI-75	2	ROPS		395	Q3593					X3595			
WHITE									WHITE				
6410	2	Cab	L, MJ	2596	M2670	780	11	AB	X6982	X2197	6	X2040N	INHKIT
6410	2	ROPS	L, MJ	2596	M2670	780	11	AB	X6982	X2197	6	X2040N	INHKIT
6510	2	Cab	L, MJ	2596	M2670	780	11	AB	X6982	X2197	6	X2040N	INHKIT
6510	2	ROPS	L, MJ	2596	M2670	780	11	AB	X6982	X2197	6	X2040N	INHKIT
6710	4	Cab	DY	2795HD	M2356HD	1000	15	AB	X6982	X1678	6	X2041N	INHKIT
8310	4	Cab	L	S2895	M2838	1150	17		X6998	X2587	5	X2041N	INHKIT
8410	4	Cab	L	2795HD	M2564HD	900	13		X6998	X2587	5	X2041N	INHKIT
8510	4	Cab		895	Q2560	900	13	AB	X6998	X2573	6	X2041N	INHKIT
8510	4	Cab	J	S2895	M2571	1150	17		X6998	X2573	6	X2041N	INHKIT
8610	4	Cab		895	Q2560	900	13	AB	X6998	X2573	6	X2041N	INHKIT
8610	4	Cab	J	S2895	M2571	1150	17		X6998	X2573	6	X2041N	
YANMAR									YANMAR				
226 D	4	ROPS		95	Q2591	160	3			X9110	1	X2021	IN VKIT
276 DSL	4	ROPS		95	Q2592	200	4			X8855	2	X2021	IN VKIT