

WARRANTY POLICY

Buhler Manufacturing products are warranted for a period of twelve (12) months from original date of purchase, by original purchaser, to be free from defects in material and workmanship under correct, normal agricultural use and proper applications.

Buhler Manufacturing's obligations under this warranty shall be limited to the repair or exchange, at Buhler Manufacturing's option, of any Buhler Manufacturing product or part which proves to be defective as provided. Buhler Manufacturing reserves the right to either inspect the product at the buyer's location or have it returned to the factory for inspection.

The above warranty does not extend to goods damaged or subject to accident, abuse or misuse after shipment from Buhler Manufacturing's factory, nor to goods altered or repaired by anyone other than an authorized Buhler Manufacturing representative.

Buhler Manufacturing makes no Express Warranties other than those, which are specifically described. Any description of goods, including any references and specifications in catalogues, circulars and other written material published, is for the sole purpose of identifying goods and shall conform to such descriptions. Any sample or model is for illustrative purposes only and does not create an Express Warranty that the goods conform to sample or model shown.

The purchaser is solely responsible for determining suitability of goods sold. This warranty is expressly in lieu of all other warranties expressed or implied. Buhler Manufacturing will in no event be liable for any incidental or consequential damages whatsoever. Nor for any sum in excess of the price received for the goods for which liability is claimed.

WARRANTY CLAIMS:

Warranty requests must be prepared on Buhler Manufacturing Warranty Claim Forms with all requested information properly completed. Warranty Claims must be submitted within a thirty (30) day period from date of failure repair.

WARRANTY LABOR:

Any labor subject to warranty **must** be authorized by Buhler Manufacturing. The labor rate for replacing defective parts, where applicable, will be credited at a rate determined by the Company, Buhler Manufacturing.

IMPORTANT FACTS:

Buckets and Bucket Tines Carry No Warranty

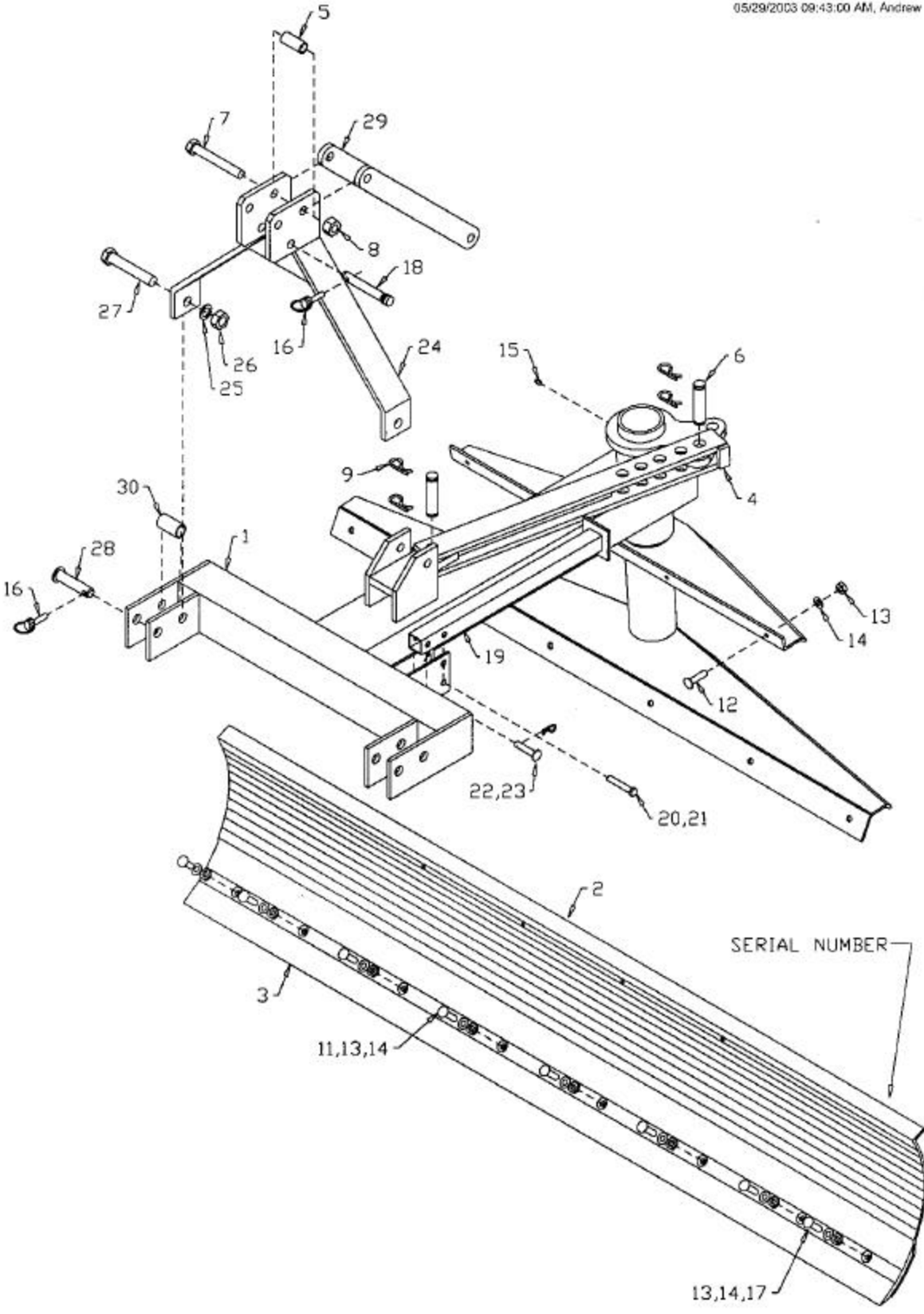
Bent Spears Carry No Warranty

Snowblower Fan Shafts Carry No Warranty

Mower Blades Carry No Warranty

Portable Auger Parts Have Two (2) Year Warranty

05/29/2003 09:43:00 AM, Andrew



RB-01

WHEN ORDERING PARTS

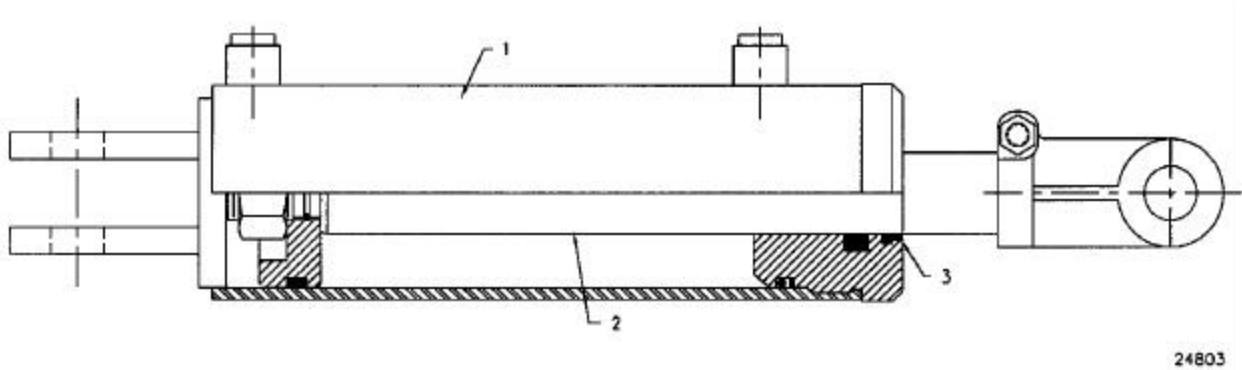
Always give your dealer the Model and Serial Number of your machine to assist him in ordering and obtaining the correct parts. Use the exploded view and tabular listing of the area of interest to exactly identify the required part.

60 SERIES REAR BLADE

ITEM	PART #	DESCRIPTION
1	906806	Hitch Weldment
2	23457	7' Blade
	23447	8' Blade
3	967522	7' Cutting Edge
	967523	8' Cutting Edge
4	23456	Adjusting Bar
5	906770	Spacer 1" OD x 12 Ga x 2 1/4" Lg
6	103753	Cylinder Pin (1" Dia. x 4"Lg)
7	812114	3/4" x 5 1/2" Hex Bolt (pl)
8	812365	3/4" Lock Nut (pl)
9	12779	#9 Hair Pin Clip
10	811747	5/16" Linch Pin
11	967525	1/2" X 2" Plow Bolt (pl)
12	84277	1/2" X 1 1/2" Hex Bolt (pl)
13	81636	1/2" Hex Nut (pl)
14	81637	1/2" Lock Washer (pl)
15	84583	1/8" Grease Fitting (pl)
16	965911	7/16" Linch Pin
17	967524	1/2" X 1 1/2" Plow Bolt (pl)
18	965807	CAT.1 Top Link Pin
19	901407	Stand Weldment
20	81626	1/2" X 2 3/4" Hex Bolt (pl)
21	812364	1/2" Lock Nut (pl)
22	961012	#16 Hair Pin Clip (pl)
23	901435	1/2" X 2 1/2" Clevis Pin
24	F0351	A-Frame Weldment
25	81723	7/8" Lock Washer (pl)
26	81722	7/8" Hex Nut (pl)
27	966527	7/8" x 5" Hex Bolt (pl)
28	811826	7/8" x 4" Clevis Pin
29	906808	A-Frame Support 2" x 19 5/8"
30	906775	Hitch Spacer

3.5 x 8 CYLINDER ASSEMBLY

Item #	Part #	Description
	24803	Cyl Complete
1	24804	Tube Weldt
2	113934	Piston Rod 1.5 Dia
3	X2098	Seal Kit



BUNDLE NUMBERS

QUANTITY BUNDLE NO. DESCRIPTION

7' REAR BLADE: C8801

1	X8799	Hitch Bundle
1	23466	Blade Assembly

8' REAR BLADE: C8800

1	X8799	Hitch Bundle
1	23465	Blade Assembly

OPTIONS:

F9116	3.5" x 8" Hydraulic Cylinder and Hose Kit
966314	Hydraulic Hose Holder