

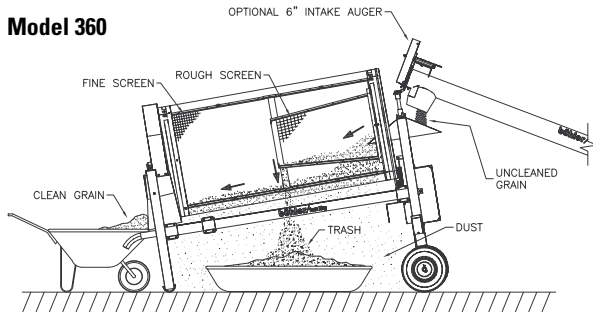
## Specifications

MODEL	Y360	Y480	Y482
Drum diameter	36"	48"	48"
Drum length	73"	98"	98"
Total length	97"	144"	144"
Width (outside of tires)	55"	76"	76"
Motor required (approx.)	1 hp	3 hp	3 hp
Drive	Belt	Belt	Belt
Capacity	1000 bu/hr	2500 bu/hr	2500 bu/hr
Weight	493 lb	1020 lb	1253 lb
Trash pan	n/a	n/a	Standard
Intake auger (optional)	6"	8"	8"

SCREENS*	CONE	OUTSIDE DRUM
Corn	Small - 2 x 2 x 19 ga. Standard - 5/8 x 5/8 x 17 ga.	Standard - 4 x 4 x 23 ga.
Wheat	Standard - 4 x 4 x 23 ga. Large - 3 x 3 x 21 ga.	Standard - 8 x 8 x 27 ga. Large - 6 x 6 x 25 ga.
Sunflower	Standard - 2 x 2 x 19 ga. Large - 5/8 x 5/8 x 17 ga.	Small - 8 x 8 x 27 ga. Standard - 6 x 6 x 25 ga. Large - 5 x 5 x 24 ga.
Soybean	Small - 3 x 3 x 21 ga. Standard - 2 x 2 x 19 ga.	Small - 6 x 6 x 25 ga. Standard - 5 x 5 x 24 ga.
Milo	Small - 5 x 5 x 24 ga.; Standard - 4 x 4 x 23 ga. Large - 3 x 3 x 21 ga.	Standard - 8 x 8 x 27 ga. Large - 6 x 6 x 25
Flax	Small - 5 x 5 x 24 ga. Standard - 4 x 4 x 23 ga.	Standard - 10 x 10 x 29 ga.

\*Recommended based on kernel size

**Model 360**



**Model 480**

