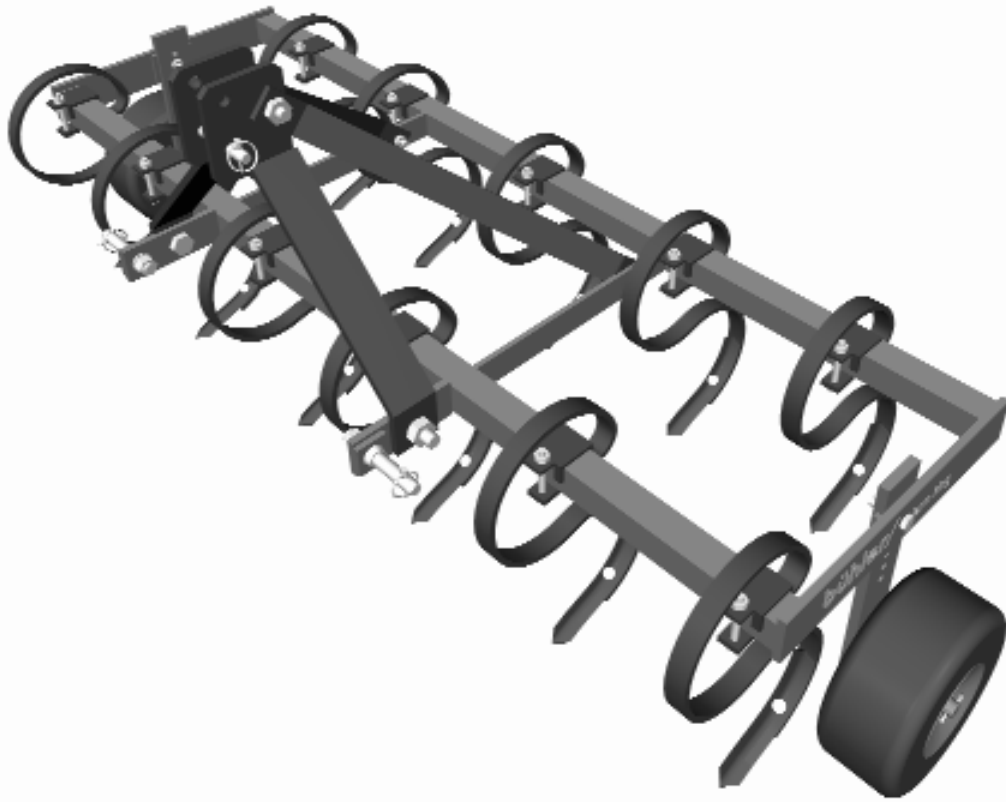


bühler

farm king



60", 72", & 84" Cultivator

Operator's and Parts Manual
FK352

2007

TABLE OF CONTENTS

DESCRIPTION	PAGE
Warranty	1
Reversible Point Replacement or Reversal	2
5' Cultivator S-Tine Spacing	2
6' and 7' Cultivator S-Tine Spacing.....	3
Cultivator Drawing	4
Cultivator Parts List	5
Bundle Numbers	6

WARRANTY POLICY

Buhler Manufacturing products are warranted for a period of twelve (12) months (90 days for commercial application) from original date of purchase, by original purchaser, to be free from defects in material and workmanship under correct, normal agricultural use and proper applications.

Buhler Manufacturing's obligations under this warranty shall be limited to the repair or exchange, at Buhler Manufacturing's option, of any Buhler Manufacturing product or part which proves to be defective as provided. Buhler Manufacturing reserves the right to either inspect the product at the buyer's location or have it returned to the factory for inspection.

The above warranty does not extend to goods damaged or subject to accident, abuse or misuse after shipment from Buhler Manufacturing's factory, nor to goods altered or repaired by anyone other than an authorized Buhler Manufacturing representative.

Buhler Manufacturing makes no Express Warranties other than those, which are specifically described. Any description of goods, including any references and specifications in catalogues, circulars and other written material published, is for the sole purpose of identifying goods and shall conform to such descriptions. Any sample or model is for illustrative purposes only and does not create an Express Warranty that the goods conform to sample or model shown.

The purchaser is solely responsible for determining suitability of goods sold. This warranty is expressly in lieu of all other warranties expressed or implied. Buhler Manufacturing will in no event be liable for any incidental or consequential damages whatsoever. Nor for any sum in excess of the price received for the goods for which liability is claimed.

WARRANTY CLAIMS:

Warranty requests must be prepared on Buhler Manufacturing Warranty Claim Forms with all requested information properly completed. Warranty Claims must be submitted within a thirty (30) day period from date of failure repair.

WARRANTY LABOR:

Any labor subject to warranty **must** be authorized by Buhler Manufacturing. The labor rate for replacing defective parts, where applicable, will be credited at 100% of the dealer's posted shop rate. Defective parts will receive an extra 10% discount to assist with freight or other incidental costs.

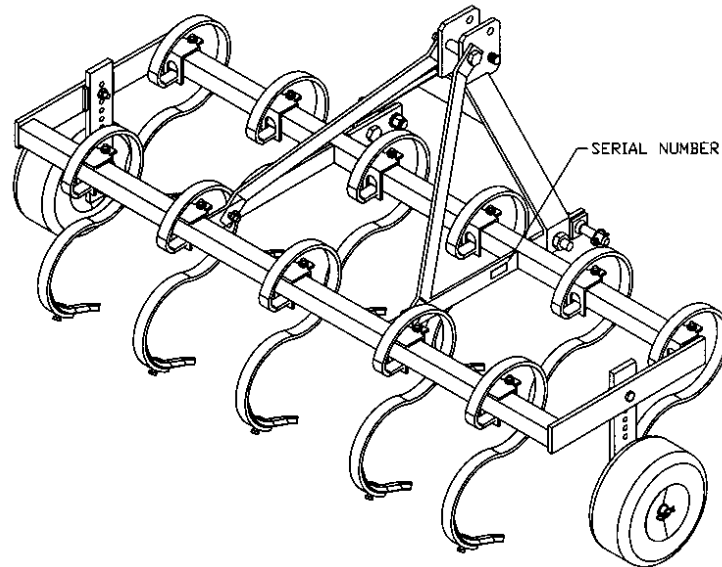
GOVERNMENT LEGISLATION:

Warranty terms and conditions are subject to Provincial or State legislation.

IMPORTANT FACTS:

Buckets and Bucket Tines Carry No Warranty
Bent Spears Carry No Warranty
Snowblower Fan Shafts Carry No Warranty
Mower Blades Carry No Warranty
Portable Auger Parts Have Two (2) Year Warranty
Loader Parts Have Two (2) Year Warranty

IMPORTANT NOTE: This warranty does not apply to rentals

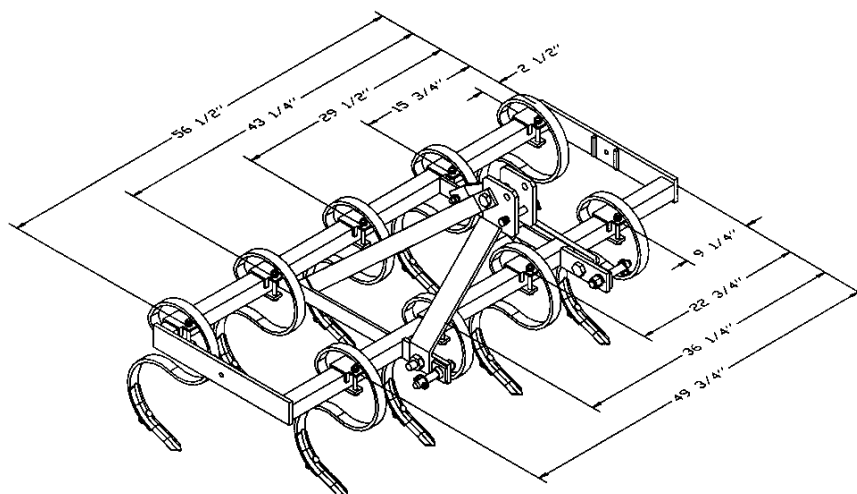


CV-05

REVERSIBLE POINT REPLACEMENT OR REVERSAL:

1. Raise the Cultivator off the ground.
2. Securely block up the frame
3. Remove the Plow Bolts as required.
4. If the top side of the reversible point has not been used, reverse and reattach. If it has been used, replace reversible point.
5. Install plow bolts and re-tighten.
6. Replace points if the tips are badly worn. The plow bolts should also be replaced if the heads become badly worn.

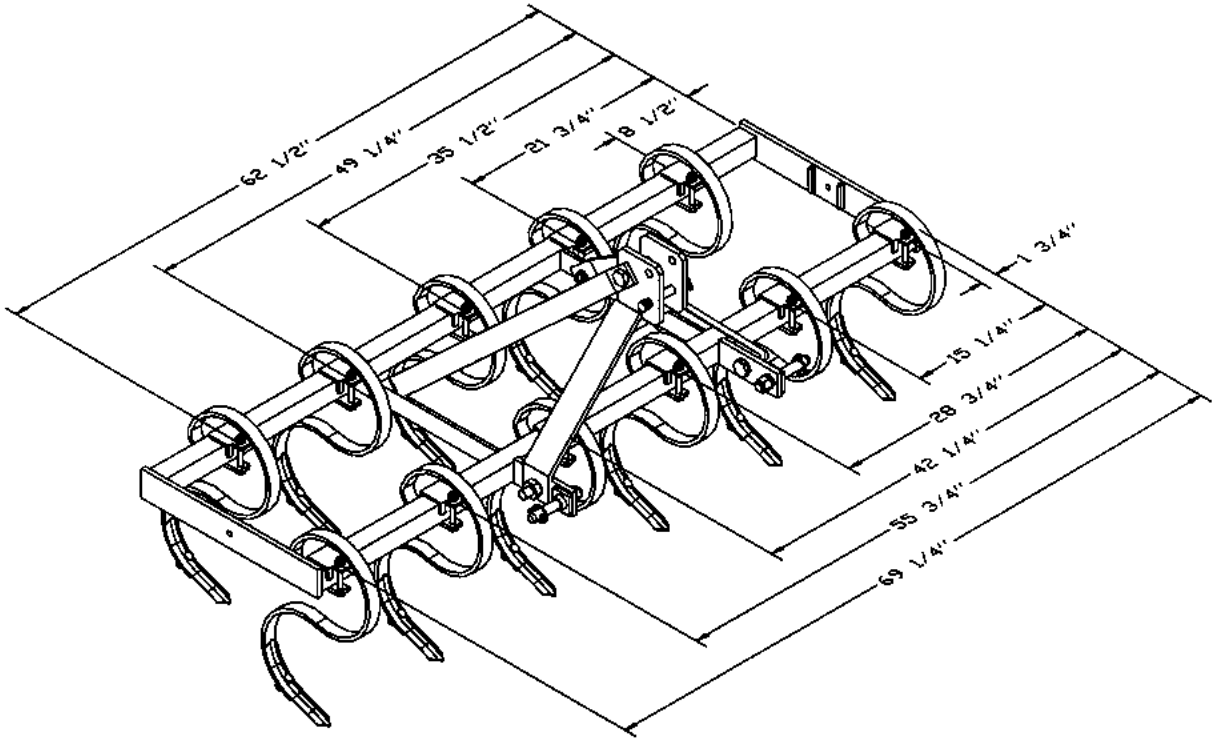
S-TINE SPACING



5-FOOT CULTIVATOR

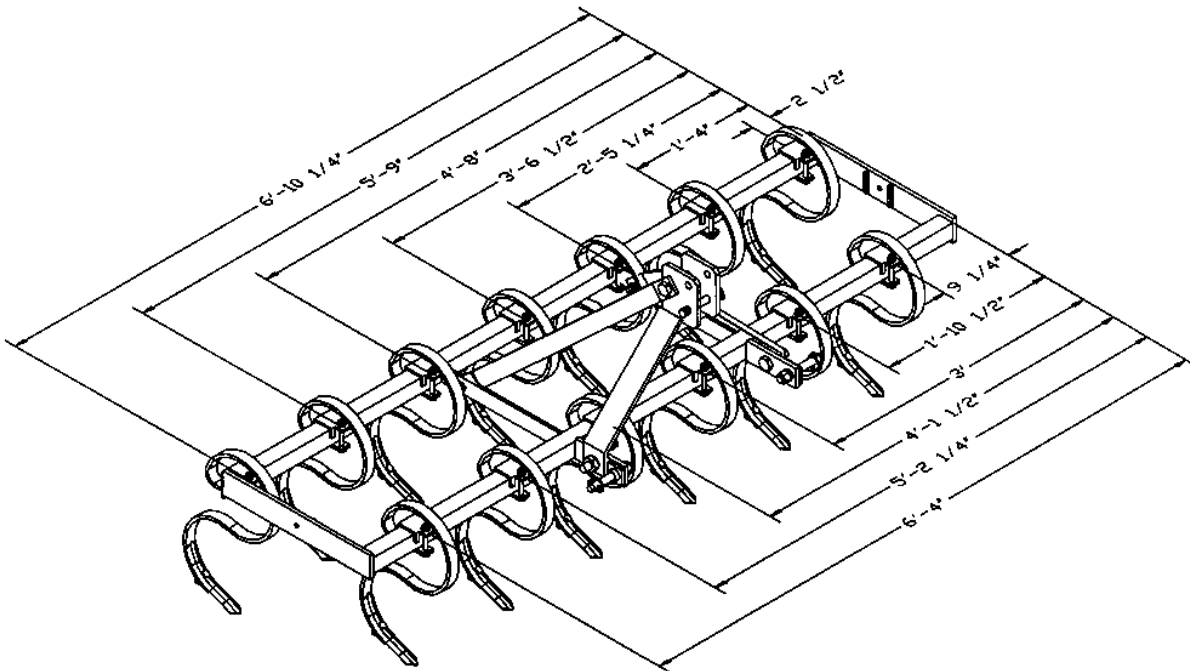
CV-01

S-TINE SPACING



6-FOOT CULTIVATOR

CV-02



7-FOOT CULTIVATOR

CV-03

WHEN ORDERING PARTS

Always give your dealer the Model, Color and Serial Number of your machine to assist him in ordering and obtaining the correct parts. Use the exploded view and tabular listing of the area of interest to exactly identify the required part.

Cultivator

Item	Part #	Description
1	906795	60" Frame Weldment
	906796	72" Frame Weldment
	906797	84" Frame Weldment
2	F0351	Hitch Weldment
3	906794	Hitch Brace
4	967561	S-Tine Only
5	967562	S-Tine Clamp
6	967549	Reversible Point
7	965809	Lift Arm Pin W/ Nut & Washer (Cat. 1)
8	965807	Top Link Pin (Cat. 1)
9	965911	Linch Pin (7/16")
10	906770	Spacer 1"OD x 2 1/4"
11	84277	1/2" x 1 1/2" Hex Bolt (pl)
12	81637	1/2" Lock Washer (pl)
13	81636	1/2" Hex Nut (pl)
14	967563	3/8" x 1 1/2" Contour H.D. Plow Bolt (pl)
15	964001	3/8" Flat Washer (10 GA.) (pl)
16	81593	3/8" Lock Washer (pl)
17	81592	3/8" Hex Nut (pl)
18	811751	3/4" x 5" Hex Bolt (pl)
19	967298	7/16" x 3 1/2" Carr. Bolt (pl)
20	81615	7/16" Lock Washer (pl)
21	81614	7/16" Hex Nut (pl)
22	811791	1/2" x 2" Hex Bolt (pl)
23	967138	12" Solid Rubber Wheel
24	9812438	1" I.D. x 14 GA #8 Narrow Rim Washer (pl)
25	9812434	1/4" x 1 1/2" Cotter Pin (pl)
26	901133	Gauge Wheel Weld't (Optional)
27	F11	7" Sweep (Optional)
28	966563	Wheel Bushing (included with wheel)
29	812365	3/4" Lock Nut (pl)
30	966527	7/8" x 2 1/2" Hex Bolt (pl)
31	81723	7/8" Lock Washer (pl)
32	81722	7/8" Hex Nut (pl)

CULTIVATOR BUNDLE NUMBERS

QUANTITY BUNDLE NO. DESCRIPTION

Y60FC 60" CULTIVATOR

1	F0351	Hitch
1	F0372	Frame 60"
1	F6510	Tines
1	F0379	Carton of Parts

Y607FC 60" CULTIVATOR w/gauge wheel and sweeps

1	F12	Gauge Wheel
1	F0351	Hitch Bundle
1	F0372	Frame 60"
1	F6510	Tines
1	F0379	Carton of Parts
1	F6590	7" Sweeps

Y72FC 72" CULTIVATOR

1	F0351	Hitch
1	F0373	Frame 72"
1	F6513	Tines
1	F0380	Carton of Parts

Y727FC 72" CULTIVATOR w/gauge wheel and sweeps

1	F12	Gauge Wheel
1	F0351	Hitch
1	F0373	Frame 72"
1	F6513	Tines
1	F0380	Carton of Parts
1	F6592	7" Sweeps

Y84FC 84" CULTIVATOR

1	F0351	Hitch
1	F0374	Frame 84"
1	F6516	Tines
1	F0381	Carton of Parts

CULTIVATOR BUNDLE NUMBERS – cont'd.**Y847FC 84" CULTIVATOR w/gauge wheel and sweeps**

1	F12	Gauge Wheel
1	F0351	Hitch
1	F0374	Frame 84"
1	F6516	Tines
1	F0381	Carton of Parts
1	F6591	7" Sweeps

Options

F11	7" Sweep
967549	Reversible Points
F12	Gauge Wheel

DIVISION LOCATIONS

Farm King Division
301 Mountain Street S.
Morden, MB R6M 1X7
Ph.: (204) 822-4467
Fax: (204) 822-6348

Allied Division
1201 Regent Ave. W.
Box 1003
Winnipeg, MB R2C 3B2
Ph.: (204) 661-8711
Fax: (204) 654-2503

Inland Division
675 Washington Ave.
Winnipeg, MB R2K 1M4
Ph: (204) 667-7854
Fax: (204) 669-2599

B.I.I. Division
1330 43rd Street N.W.
Fargo, ND 58102
Ph: (701) 282-7014
Fax: (701) 282-5865

CANADIAN WAREHOUSES

B.C., Abbotsford
(604) 864-2665

AB, Edmonton
(403) 962-6991

SK, Regina
(306) 781-2300

ON, Woodstock
(519) 539-0435

ON, Jasper
(613) 283-1758

QC, Dorion
(450) 455-4840

U.S. WAREHOUSES

AR, West Memphis
(870) 732-3132

GA, Stone Mountain
(770) 908-9439

IA, Lakeview
(712) 657-8585

ID, Meridian
(208) 887-6006

IN, Clarksville
(812) 284-3376

KS, Wichita
(316) 265-9577

MN, Lakeville
(952) 469-5267

MT, Billings
(406) 248-7771

ND, Bismarck
(701) 223-1886

ND, Fargo
(701) 282-7003

NY, Syracuse
(315) 463-5276

OH, Youngstown
(330) 793-0862

OR, Portland
(503) 234-0378

SD, Huron
(605) 352-8616

TX, Houston
(713) 928-2632

UT, Salt Lake City
(801) 972-4321

WI, Portage
(608) 742-1370

OFFSHORE WAREHOUSES

Burando Hill
Katanning
W. Australia
011-618-98-214422

Chihuahua, Mexico
011-52-158-90306

John Kerr Equipment Ltd.
Wilcoxholm Farm
Linlithgow, W. Lothian
Scotland
011-441-506-842280

Skovde, Sweden
011-46-500-452651

Naestved, Denmark
011-45-557-29511

bühler

Buhler Manufacturing "a partnership"

301 Mountain Street S.
Morden MB.
R6M 1X7
Ph.: (204) 822-4467
Fax: (204) 822-6348
www.buhler.com