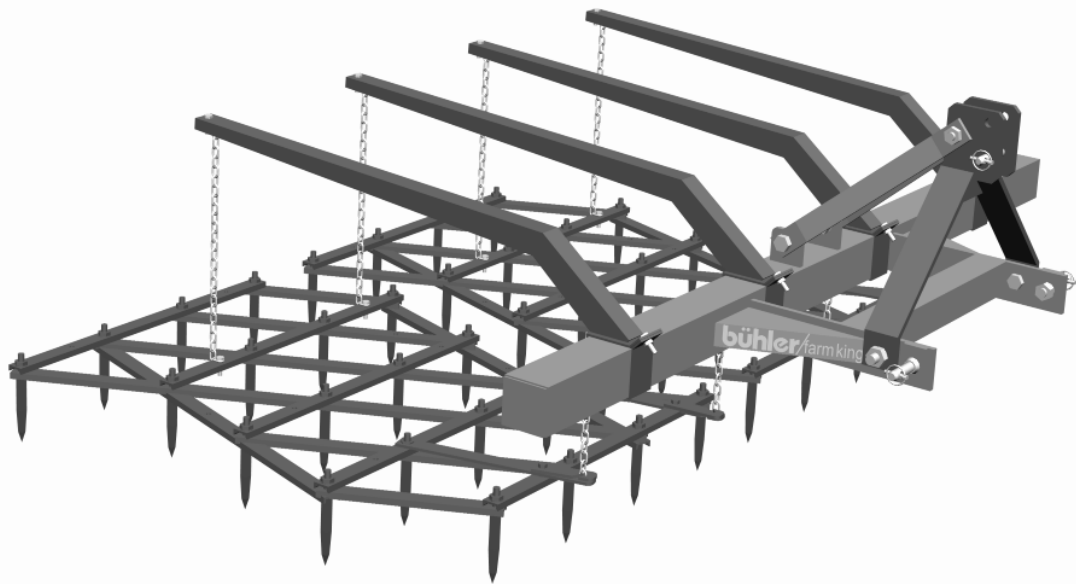


# bühler

## farm king



## 80" & 100" Drag Harrow

Operator's and Parts Manual  
FK353

2007



**TABLE OF CONTENTS**

<b>DESCRIPTION</b>	<b>PAGE</b>
Warranty .....	1
Assembly .....	2
Stake Spacing.....	3
Drag Harrow Drawing .....	4
Drag Harrow Parts List.....	5
Bundle Numbers .....	6

## WARRANTY POLICY

Buhler Manufacturing products are warranted for a period of twelve (12) months (90 days for commercial application) from original date of purchase, by original purchaser, to be free from defects in material and workmanship under correct, normal agricultural use and proper applications.

Buhler Manufacturing's obligations under this warranty shall be limited to the repair or exchange, at Buhler Manufacturing's option, of any Buhler Manufacturing product or part which proves to be defective as provided. Buhler Manufacturing reserves the right to either inspect the product at the buyer's location or have it returned to the factory for inspection.

The above warranty does not extend to goods damaged or subject to accident, abuse or misuse after shipment from Buhler Manufacturing's factory, nor to goods altered or repaired by anyone other than an authorized Buhler Manufacturing representative.

Buhler Manufacturing makes no Express Warranties other than those, which are specifically described. Any description of goods, including any references and specifications in catalogues, circulars and other written material published, is for the sole purpose of identifying goods and shall conform to such descriptions. Any sample or model is for illustrative purposes only and does not create an Express Warranty that the goods conform to sample or model shown.

The purchaser is solely responsible for determining suitability of goods sold. This warranty is expressly in lieu of all other warranties expressed or implied. Buhler Manufacturing will in no event be liable for any incidental or consequential damages whatsoever. Nor for any sum in excess of the price received for the goods for which liability is claimed.

### **WARRANTY CLAIMS:**

Warranty requests must be prepared on Buhler Manufacturing Warranty Claim Forms with all requested information properly completed. Warranty Claims must be submitted within a thirty (30) day period from date of failure repair.

### **WARRANTY LABOR:**

Any labor subject to warranty **must** be authorized by Buhler Manufacturing. The labor rate for replacing defective parts, where applicable, will be credited at 100% of the dealer's posted shop rate. Defective parts will receive an extra 10% discount to assist with freight or other incidental costs.

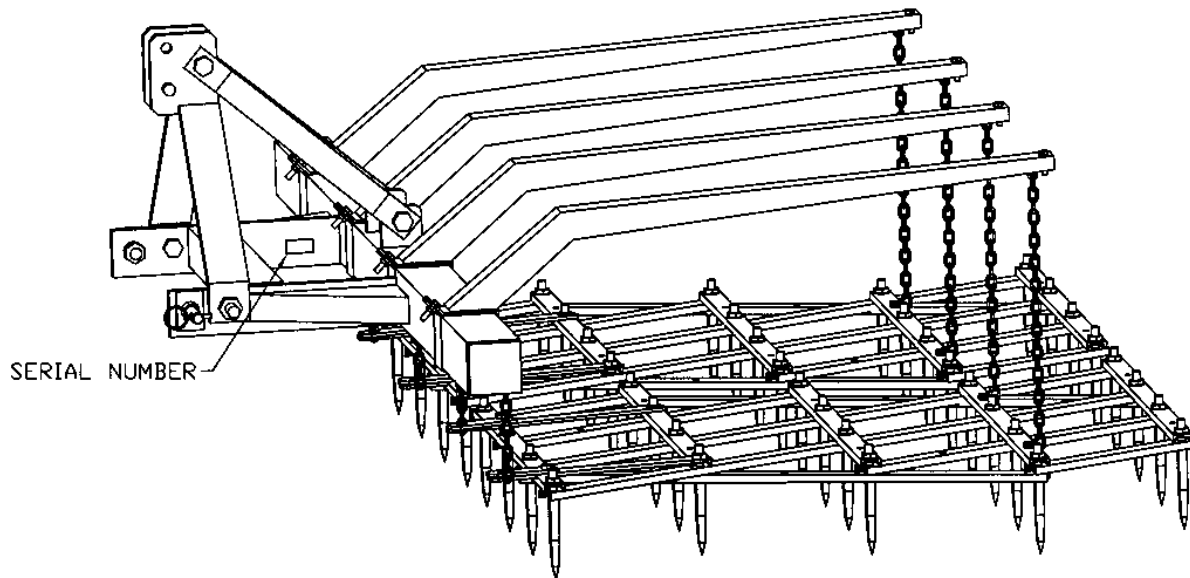
### **GOVERNMENT LEGISLATION:**

Warranty terms and conditions are subject to Provincial or State legislation.

### **IMPORTANT FACTS:**

Buckets and Bucket Tines Carry No Warranty  
Bent Spears Carry No Warranty  
Snowblower Fan Shafts Carry No Warranty  
Mower Blades Carry No Warranty  
Portable Auger Parts Have Two (2) Year Warranty  
Loader Parts Have Two (2) Year Warranty

**IMPORTANT NOTE: This warranty does not apply to rentals**

**DRAG HARROW**

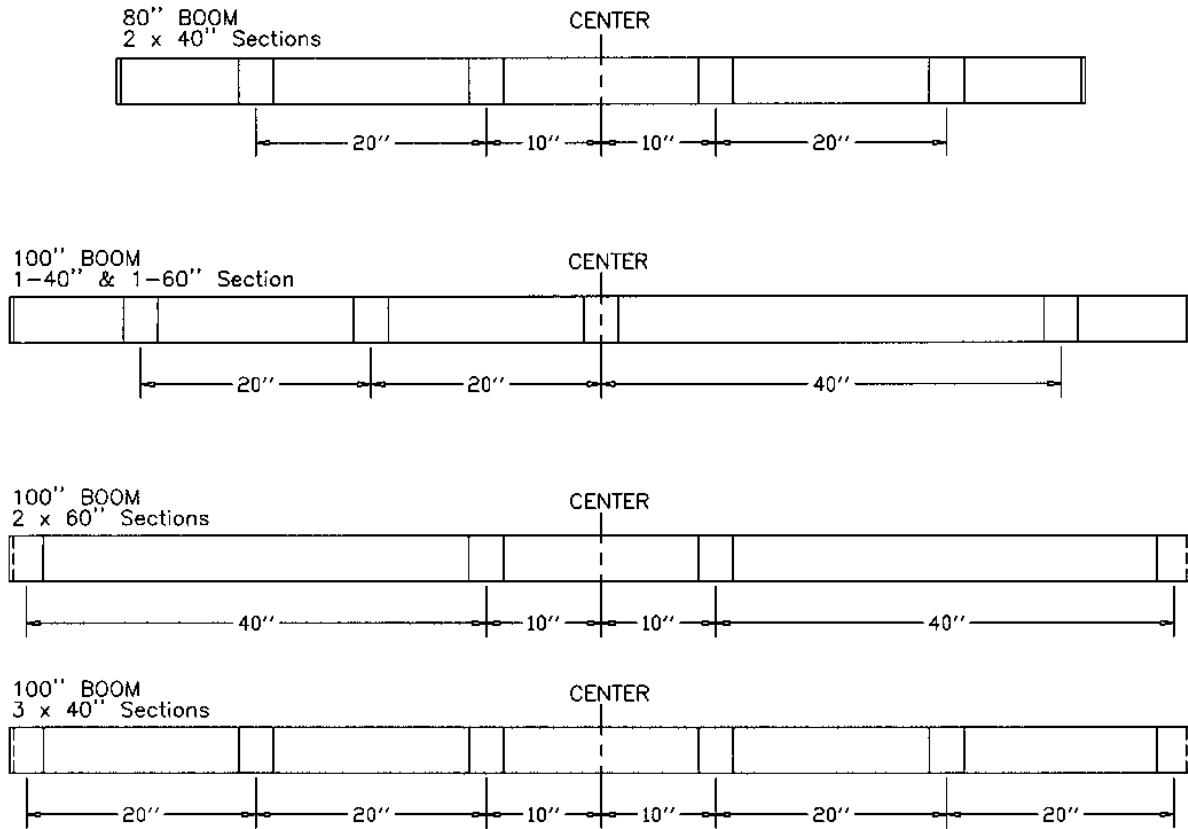
DH-03

The Drag Harrow is designed to carry standard spike tooth parallel harrows mounted on a 4" x 4" boom. The harrow is mounted on a standard category 1 3-point hitch. Harrow sections have 5/8" square teeth and channel construction. The harrow is used for leveling or raking trash. The harrow is available with 80" or 100" booms.

**DRAG HARROW ASSEMBLY INSTRUCTIONS**

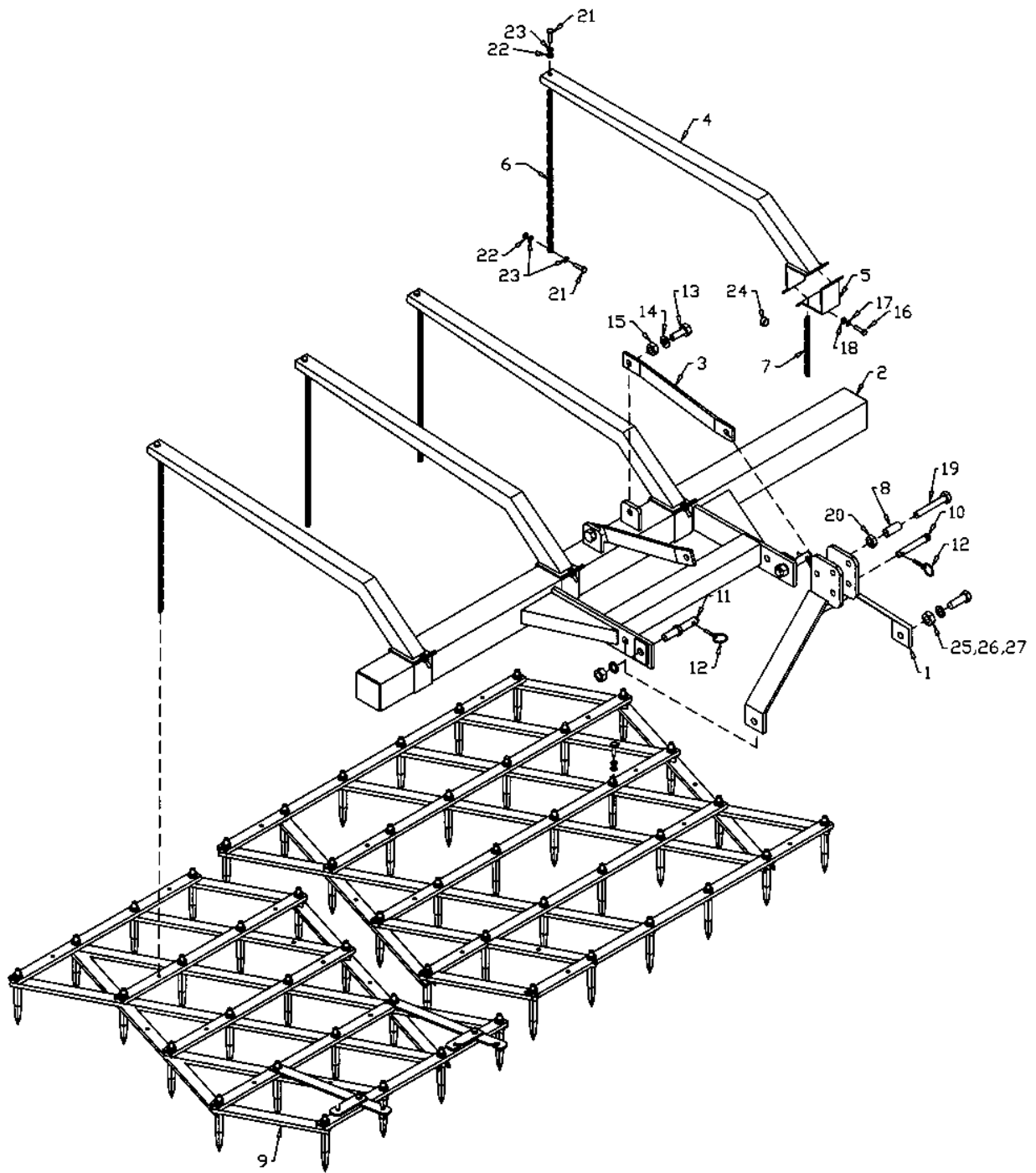
1. Assemble the hitch (#1), boom (#2) and braces (#3) using the hardware supplied.
2. Mount the assembly on the tractor using the three point pins.
3. Space the stakes according to the size of harrow sections used (see drawing on next page). Mount the stakes using stake caps, 1/2" x 1 1/2" hex bolts, 1/2" lock washers and 1/2" hex nuts. Simultaneously fasten the 10-link drag chain between the stake and stake cap using the same bolts. A 7/16" long spacer is fitted in the last link of drag chain. The bolt goes through the spacer and prevents the chain from being clamped tight.

STAKE SPACING FOR DRAG HARROWS



DH-02

4. Bolt the 1/4" lift chains to the top of the stakes using 3/8" x 1 1/2" hex bolts, flat washer and lock nuts. Use about 21 links on the lift chain to attach the stake to the harrow section.



DH-01

**WHEN ORDERING PARTS**

Always give your dealer the Model, Color and Serial Number of your machine to assist him in ordering and obtaining the correct parts. Use the exploded view and tabular listing of the area of interest to exactly identify the required part.

**DRAG HARROWS**

<b>ITEM</b>	<b>PART #</b>	<b>DESCRIPTION</b>
1	F0351	Hitch Weldment
2	906753	80" Boom Weldment
	906754	100" Boom Weldment
3	906755	Hitch Brace
4	964625	Stake
5	964627	Stake Cap
6	964633	Lift Chain - 28 Links
7	964555	Drag Chain - 10 Links
8	906770	Spacer (1" O.D. x 2 1/4" L)
9	F40P	40" Parallel Harrow
	F60P	60" Parallel Harrow
10	965807	Top Link Pin (Cat. 1)
11	965809	Lift Arm Pin (Cat. 1)
12	965911	Linch Pin (7/16")
13	84467	3/4" x 2" Hex Bolt (pl)
14	81701	3/4" Lock Washer (pl)
15	81700	3/4" Hex Nut (pl)
16	84277	1/2" x 1 1/2" Hex Bolt (pl)
17	81637	1/2" Lock Washer (pl)
18	81636	1/2" Hex Nut (pl)
19	811751	3/4" x 5" Hex Bolt (pl)
20	812365	3/4" Lock Nut (pl)
21	811792	3/8" x 1 1/2" Hex Bolt (pl)
22	812363	3/8" Lock Nuts (pl)
23	964001	Flat Washer (1" O.D. x 7/16" I.D., x 10GA) (pl)
24	964741	Chain Spacer (7/16" lg) (pl)
25	966527	7/8" x 2 1/2" Hex Bolt (pl)
26	81723	7/8" Lock Washer (pl)
27	81722	7/8" Hex Nut (pl)

**DRAG HARROW BUNDLE NUMBERS**

**QUANTITY BUNDLE NO. DESCRIPTION**

**Y80DH 80" DRAG HARROW w/2 – 40" parallel harrows**

1	F2071	Stakes
2	F40P	Parallel Harrow 40"
1	F0351	Hitch
1	F0352	80" Boom
1	F0365	Carton of Parts

**Y1002DH 100" DRAG HARROW w/1 – 40" and 1 – 60" parallel harrow**

1	F2071	Stakes
1	F40P	Parallel Harrow 40"
1	F60P	Parallel Harrow 60"
1	F0351	Hitch
1	F0353	Carton of Parts
1	F0365	Boom 100"

**Y1003DH 100" DRAG HARROW w/3 – 40" parallel harrows**

1	F2070	Stakes
3	F40P	Parallel Harrow 40"
1	F0351	Hitch
1	F0353	Boom 100"
1	F0366	Carton of Parts

**YDH1 80" DRAG HARROW less 2 harrow sections**

1	F2071	Stakes
1	F0351	Hitch
1	F0352	80" Boom
1	F0365	Carton of Parts

**YDH2 100" DRAG HARROW less 2 harrow sections**

1	F2071	Stakes
1	F0351	Hitch
1	F0365	Carton of Parts
1	F0353	Boom 100"

**YDH3 100" DRAG HARROW less 3 harrow sections**

1	F2070	Stakes
1	F0351	Hitch
1	F0353	100" Boom
1	F0366	Carton of Parts

## NOTES



## DIVISION LOCATIONS

Farm King Division  
301 Mountain Street S.  
Morden, MB R6M 1X7  
Ph.: (204) 822-4467  
Fax: (204) 822-6348

Allied Division  
1201 Regent Ave. W.  
Box 1003  
Winnipeg, MB R2C 3B2  
Ph.: (204) 661-8711  
Fax: (204) 654-2503

Inland Division  
675 Washington Ave.  
Winnipeg, MB R2K 1M4  
Ph: (204) 667-7854  
Fax: (204) 669-2599

B.I.I. Division  
1330 43<sup>rd</sup> Street N.W.  
Fargo, ND 58102  
Ph: (701) 282-7014  
Fax: (701) 282-5865

## CANADIAN WAREHOUSES

B.C., Abbotsford  
(604) 864-2665

AB, Edmonton  
(403) 962-6991

SK, Regina  
(306) 781-2300

ON, Woodstock  
(519) 539-0435

ON, Jasper  
(613) 283-1758

QC, Dorion  
(450) 455-4840

## U.S. WAREHOUSES

AR, West Memphis  
(870) 732-3132

GA, Stone Mountain  
(770) 908-9439

IA, Lakeview  
(712) 657-8585

ID, Meridian  
(208) 887-6006

IN, Clarksville  
(812) 284-3376

KS, Wichita  
(316) 265-9577

MN, Lakeville  
(952) 469-5267

MT, Billings  
(406) 248-7771

ND, Bismarck  
(701) 223-1886

ND, Fargo  
(701) 282-7003

NY, Syracuse  
(315) 463-5276

OH, Youngstown  
(330) 793-0862

OR, Portland  
(503) 234-0378

SD, Huron  
(605) 352-8616

TX, Houston  
(713) 928-2632

UT, Salt Lake City  
(801) 972-4321

WI, Portage  
(608) 742-1370

## OFFSHORE WAREHOUSES

Burando Hill  
Katanning  
W. Australia  
011-618-98-214422

Chihuahua, Mexico  
011-52-158-90306

John Kerr Equipment Ltd.  
Wilcoxholm Farm  
Linlithgow, W. Lothian  
Scotland  
011-441-506-842280

Skovde, Sweden  
011-46-500-452651

Naestved, Denmark  
011-45-557-29511

# bühler

Buhler Manufacturing "a partnership"

301 Mountain Street S.  
Morden MB.  
R6M 1X7  
Ph.: (204) 822-4467  
Fax: (204) 822-6348  
[www.buhler.com](http://www.buhler.com)