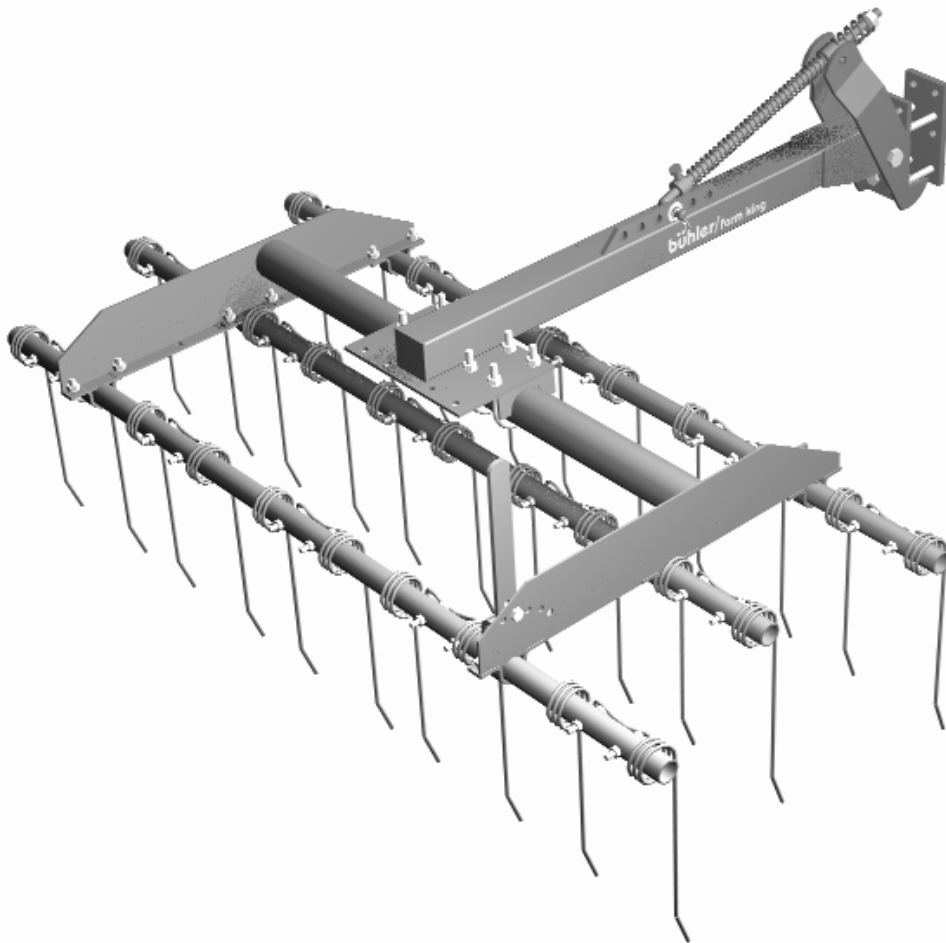


bühler

farm king



Mounted Harrow

Operator's and Parts Manual
FK337

2008

TABLE OF CONTENTS

DESCRIPTION	PAGE
WARRANTY	1
PARTS DRAWINGS	2
3 Bar Mounted Harrow Drawing.....	2
3 Bar Mounted Harrow Parts List.....	3
4 Bar Mounted Harrow Drawing.....	5
4 Bar Mounted Harrow Parts List.....	6
MOUNTING HARROW INSTRUCTIONS	8
SHIPPING KIT AND BUNDLE NUMBERS	9

WARRANTY POLICY

Buhler Manufacturing products are warranted for a period of twelve (12) months (90 days for commercial application) from original date of purchase, by original purchaser, to be free from defects in material and workmanship under correct, normal agricultural use and proper applications.

Buhler Manufacturing's obligations under this warranty shall be limited to the repair or exchange, at Buhler Manufacturing's option, of any Buhler Manufacturing product or part which proves to be defective as provided. Buhler Manufacturing reserves the right to either inspect the product at the buyer's location or have it returned to the factory for inspection.

The above warranty does not extend to goods damaged or subject to accident, abuse or misuse after shipment from Buhler Manufacturing's factory, nor to goods altered or repaired by anyone other than an authorized Buhler Manufacturing representative.

Buhler Manufacturing makes no Express Warranties other than those, which are specifically described. Any description of goods, including any references and specifications in catalogues, circulars and other written material published, is for the sole purpose of identifying goods and shall conform to such descriptions. Any sample or model is for illustrative purposes only and does not create an Express Warranty that the goods conform to sample or model shown.

The purchaser is solely responsible for determining suitability of goods sold. This warranty is expressly in lieu of all other warranties expressed or implied. Buhler Manufacturing will in no event be liable for any incidental or consequential damages whatsoever. Nor for any sum in excess of the price received for the goods for which liability is claimed.

WARRANTY CLAIMS:

Warranty requests must be prepared on Buhler Manufacturing Warranty Claim Forms with all requested information properly completed. Warranty Claims must be submitted within a thirty (30) day period from date of failure repair.

WARRANTY LABOR:

Any labor subject to warranty **must** be authorized by Buhler Manufacturing. The labor rate for replacing defective parts, where applicable, will be credited at 100% of the dealer's posted shop rate. Defective parts will receive an extra 10% discount to assist with freight or other incidental costs.

GOVERNMENT LEGISLATION:

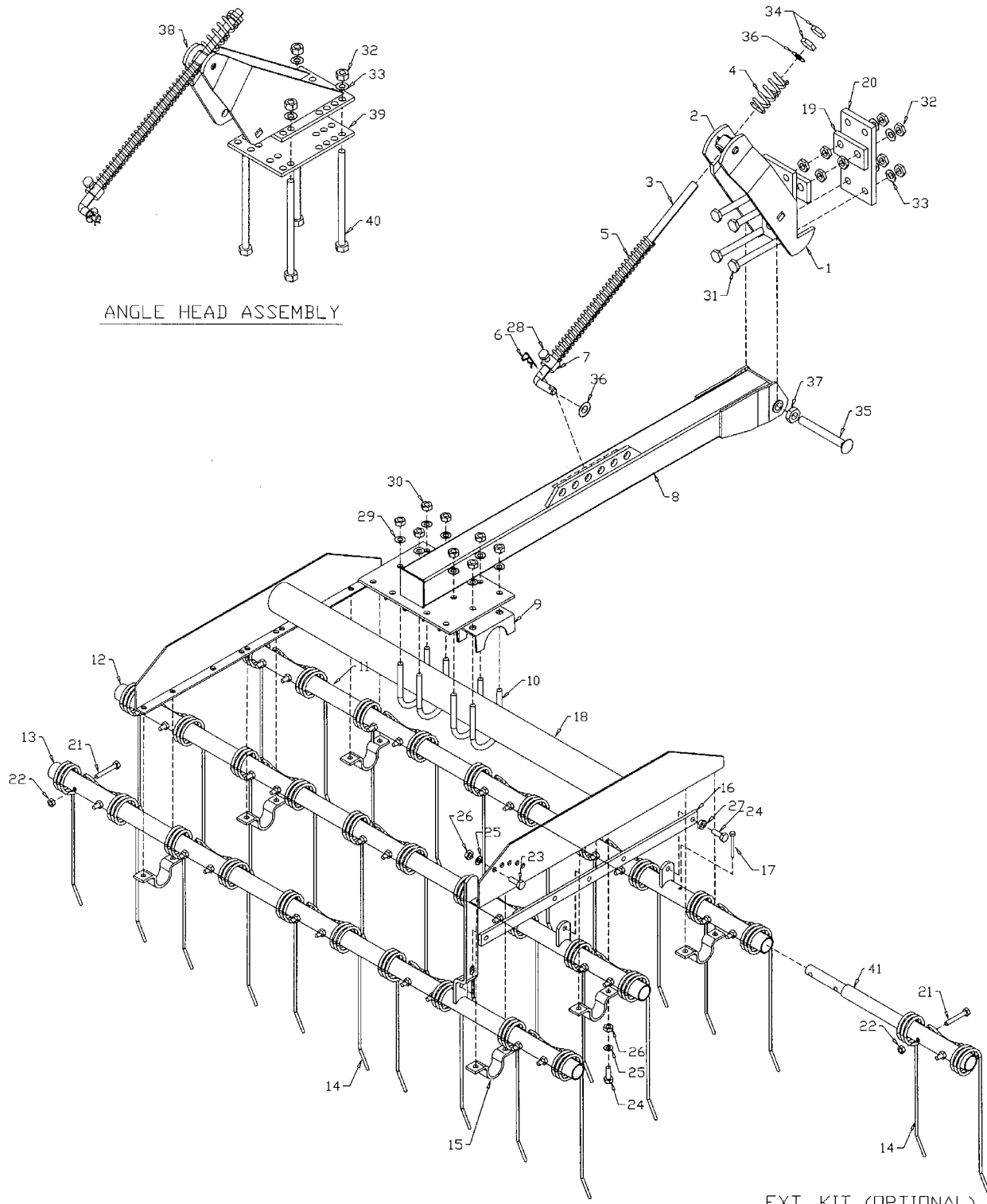
Warranty terms and conditions are subject to Provincial or State legislation.

IMPORTANT FACTS:

Buckets and Bucket Tines Carry No Warranty
Bent Spears Carry No Warranty
Snowblower Fan Shafts Carry No Warranty
Mower Blades Carry No Warranty
Portable Auger Parts Have Two (2) Year Warranty
Loader Parts Have Two (2) Year Warranty

IMPORTANT NOTE: This warranty does not apply to rentals

MOUNTED HARROW – 3 BAR



EXT. KIT (OPTIONAL)

MH-01

WHEN ORDERING PARTS

Always give your dealer the Model, Color and Serial Number of your machine to assist him in ordering and obtaining the correct parts. Use the exploded view and tabular listing of the area of interest to exactly identify the required part.

Mounted Harrow - 3 Bar

Item	Part #	Description
1	972101	Mount Weldment
2	988646	Trunion
3	972102	Pressure Rod 3/4" x 26 13/32" Long
4	972104	Short Spring
5	972105	Long Spring
6	12779	#9 Hair Pin Clip (pl)
7	972103	Collar 1/2"Dia. X 1" Long
8	972100	Carrier Arm Weldment
9	972107	Mounting Clamp 3/16" x 5" x 6"
10	972110	3" Rod U-Bolt (pl)
11	972118	5' Front Spring Tube Weldment
	972119	6' Front Spring Tube Weldment
	972120	7' Front Spring Tube Weldment
12	972115	5' Center Spring Tube Weldment
	972116	6' Center Spring Tube Weldment
	972117	7' Center Spring Tube Weldment
13	972112	5' Rear Spring Tube Weldment
	972113	6' Rear Spring Tube Weldment
	972114	7' Rear Spring Tube Weldment
14	972130	16" Spring Tooth with Kink
	972151	16" Spring Tooth Straight
	972126	14" Spring Tooth with Kink
15	972125	Spring Tube Clamp 1/4" x 1 1/4" x 7"
16	972206	Tube Link 5/16" x 1 1/4" x 28 1/4"
17	9812436	1/4" x 2 1/2" Cotter Pin (pl)
18	972142	5' Mounting Frame Weldment
	972143	6' Mounting Frame Weldment
	972144	7' Mounting Frame Weldment
19	972109	Spacer 1/2" x 2 1/4" x 4"
20	972108	Mounting Plate 5/8" x 4" x 8 3/4"
21	972127	3/8" x 2 1/2" Shoulder Bolt (br)
22	812363	3/8" Lock Nut (pl)
23	967146	7/16" x 1 1/4" Carr Bolt Grade 5 (pl)
24	81598	7/16" x 1 1/4" Hex Bolt (pl)
25	81615	7/16" Lock Washer (pl)

26	81614	7/16" Hex Nut (pl)
27	86273	7/16" Lock Nut (pl)
28	984110	1/2" x 3/4" Square Head Set Screw (pl)
29	81637	1/2" Lock Washer (pl)
30	81636	1/2" Hex Nut (pl)
31	972111	5/8" x 6" Hex Bolt (pl) (Full Thread)
32	81676	5/8" Hex Nut (pl)
33	81677	5/8" Lock Washer (pl)
34	86111	3/4" Jam Hex Nut (pl)
35	972106	3/4" x 6" Carriage Bolt (pl)
36	84050	3/4" S.A.E. Flat Washer (pl)
37	812365	3/4" Lock Nut (pl)

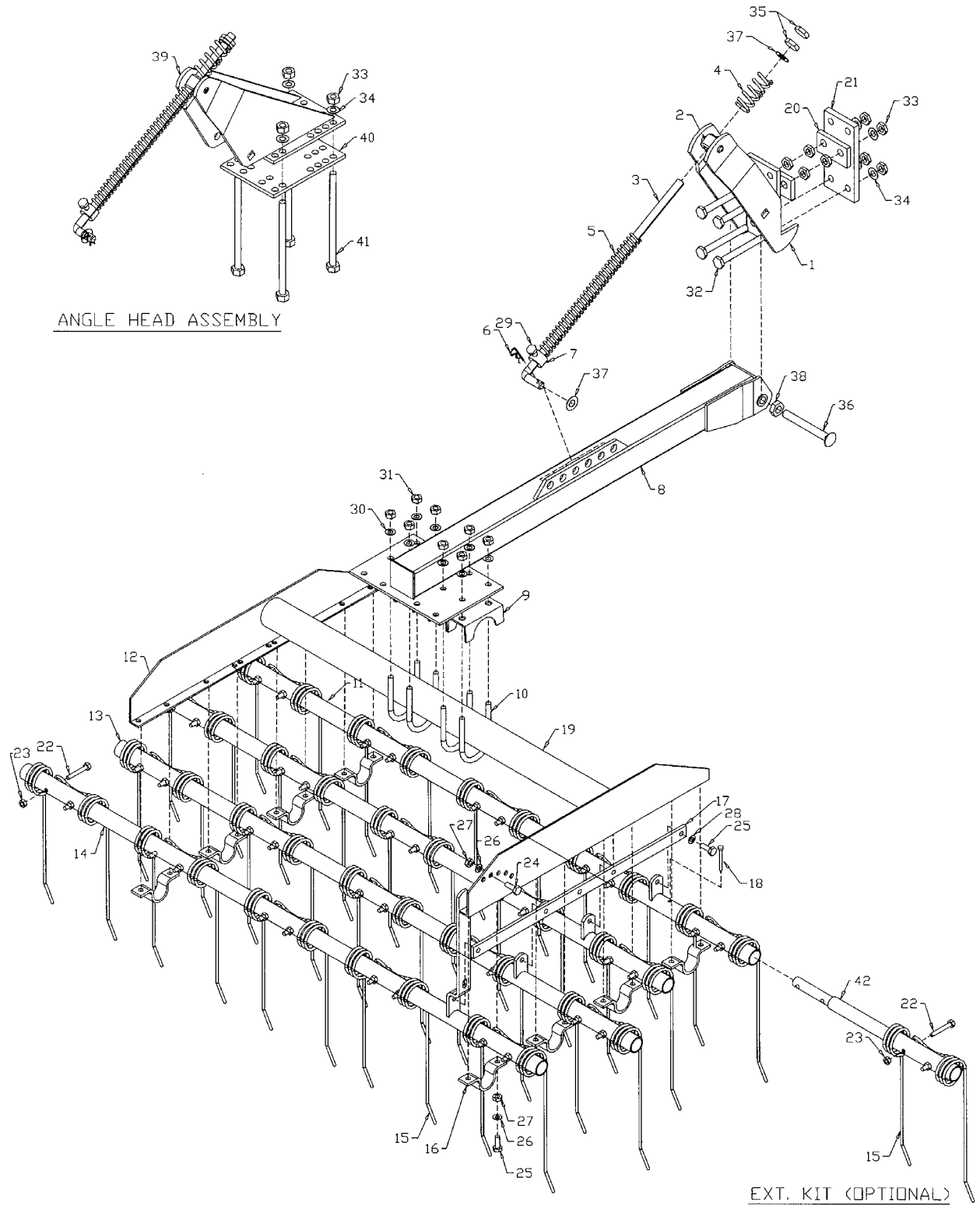
ANGLE HEAD ASSEMBLY

38	900543	Mount Weldment
39	972133	Angle Mounting Plate
40	900545	Clamp Bolt Weldment

EXT. KIT (OPTIONAL)

41	900516	Extension Tube Weldment
----	--------	-------------------------

MOUNTED HARROW – 4 BAR



ANGLE HEAD ASSEMBLY

EXT. KIT (OPTIONAL)

MH-02

Mounted Harrow - 4 Bar

Item	Part #	Description
1	972101	Mount Weldment
2	988646	Trunion
3	972102	Pressure Rod 3/4" x 26 13/32" Long
4	972104	Short Spring
5	972105	Long Spring
6	12779	#9 Hair Pin Clip (pl)
7	972103	Collar 1/2"Dia. X 1" Long
8	972100	Arm Weldment
9	972107	Mounting Clamp 3/16" x 5" x 6"
10	972110	3" Rod U-Bolt (pl)
11	972118	#1 - 5' Spring Tube Weldment
	972119	#1 - 6' Spring Tube Weldment
	972120	#1 - 7' Spring Tube Weldment
12	972115	#2 - 5' Spring Tube Weldment
	972116	#2 - 6' Spring Tube Weldment
	972117	#2 - 7' Spring Tube Weldment
13	972136	#3 - 5' Spring Tube Weldment
	972137	#3 - 6' Spring Tube Weldment
	972138	#3 - 7' Spring Tube Weldment
14	972139	#4 - 5' Spring Tube Weldment
	972140	#4 - 6' Spring Tube Weldment
	972141	#4- 7' Spring Tube Weldment
15	972130	16" Spring Tooth with Kink
	972151	16" Spring Tooth Straight
	972126	14" Spring Tooth with Kink
16	972125	Spring Tube Clamp 1/4" x 1 1/4" x 7"
17	972206	Tube Link 5/16" x 1 1/4" x 28 1/4"
18	9812436	1/4" x 2 1/2" Cotter Pin (pl)
19	972142	5' Mounting Frame Weldment
	972143	6' Mounting Frame Weldment
	972144	7' Mounting Frame Weldment
20	972109	Spacer 1/2" x 2 1/4" x 4"
21	972108	Mounting Plate 5/8" x 4" x 8 3/4"
22	972127	3/8" x 2 1/2" Shoulder Bolt (br)
23	812363	3/8" Lock Nut (pl)
24	967146	7/16" x 1 1/4" Carriage Bolt Grade 5 (pl)
25	81598	7/16" X 1 1/4" Hex Bolt (pl)
26	81615	7/16" Lock Washer (pl)
27	81614	7/16" Hex Nut (pl)
28	86273	7/16" Lock Nut (pl)

29	984110	1/2" x 3/4" Square Head Set Screw (pl)
30	81637	1/2" Lock Washer (pl)
31	81636	1/2" Hex Nut (pl)
32	972111	5/8" x 6" Hex Bolt (pl) (Full Thread)
33	81676	5/8" Hex Nut (pl)
34	81677	5/8" Lock Washer (pl)
35	86111	3/4" Jam Hex Nut (pl)
36	972106	3/4" x 6" Carriage Bolt (pl)
37	84050	3/4" S.A.E. Flat Washer (pl)
38	812365	3/4" Lock Nut (pl)

ANGLE HEAD ASSEMBLY

39	900543	Mount Weldment
40	972133	Angle Mounting Plate
41	900545	Clamp Bolt Weldment

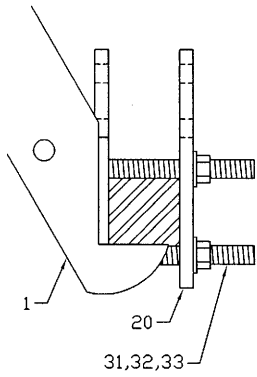
EXT. KIT (OPTIONAL)

42	900516	Extension Tube Weldment
----	--------	-------------------------

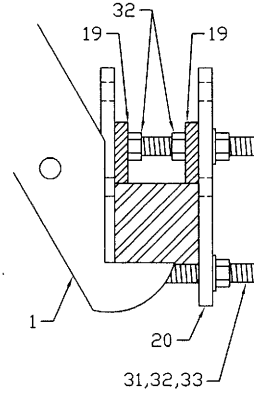
HARROW MOUNTING INSTRUCTIONS

MOUNT ACCORDING TO FRAME SIZE

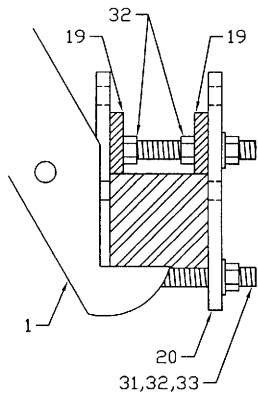
2 1/2" FRAME
NO SPACERS REQ'D



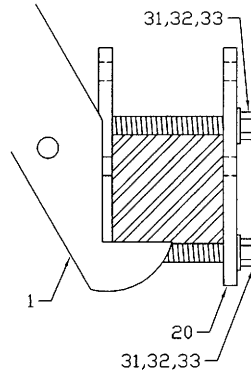
3" FRAME



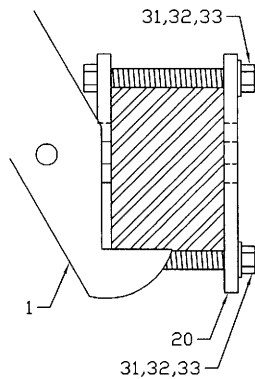
3 1/2" FRAME



4" FRAME
NO SPACERS REQ'D



4" X 6" FRAME
NO SPACERS REQ'D



SHIPPING KIT AND BUNDLE NUMBERS

The following is a list of Kit Numbers for this product and the Bundle Numbers, Descriptions, and Quantities for each Kit.

QUANTITY	BUNDLE NO.	DESCRIPTION
Y57M 4'9" – 3 BAR SECTION (KINKED TINES)		
1	F3811	Carrier Arm Assembly
1	F3823	4'-9" Section (KNK)
Y57MS 4'9" – 3 BAR SECTION (STRAIGHT TINES)		
1	F3811	Carrier Arm Assembly
1	F3823S	4'-9" Section (STR)
Y72M 6'0" – 3 BAR SECTION (KINKED TINES)		
1	F3811	Carrier Arm Assembly
1	F3824	6'0" Section (KNK)
Y72MS 6'0" – 3 BAR SECTION (STRAIGHT TINES)		
1	F3811	Carrier Arm Assembly
1	F3824S	6'0" Section (STR)
Y87M 7'3" – 3 BAR SECTION (KINKED TINES)		
2	F3811	Carrier Arm Assembly
1	F3825	7'3" Section (KNK)
Y87MS 7'3" – 3 BAR SECTION (STRAIGHT TINES)		
2	F3811	Carrier Arm Assembly
1	F3825S	7'3" Section (STR)
Y57M4 4'9" – 4 BAR SECTION (KINKED TINES)		
1	F3808	4'9" Section (KNK)
1	F3811	Carrier Arm Assembly
Y57MS4 4'9" – 4 BAR SECTION (STRAIGHT TINES)		
1	F3808S	4'9" Section (STR)
1	F3811	Carrier Arm Assembly

SHIPPING KIT AND BUNDLE NUMBERS – cont'd.

QUANTITY	BUNDLE NO.	DESCRIPTION
Y72M4 6'0" – 4 BAR SECTION (KINKED TINES)		
1	F3809	6'0" Section (KNK)
1	F3811	Carrier Arm Assembly
Y72MS4 6'0" – 4 BAR SECTION (STRAIGHT TINES)		
1	F3809S	6'0" Section (STR)
1	F3811	Carrier Arm Assembly
Y87M4 7'3" – 4 BAR SECTION (KINKED TINES)		
1	F3810	7'3" Section (KNK)
2	F3811	Carrier Arm Assembly
Y87MS4 7'3" – 4 BAR SECTION (STRAIGHT TINES)		
1	F3810S	7'3" Section (STR)
2	F3811	Carrier Arm Assembly

OPTIONAL BUNDLE NUMBERS

The following is a list of options available for the Kits listed above.

F3811	Carrier Arm (if extras are required)
F3819	Carrier Arm c/w Angle Kit
Y383	Extension Kit 3-Bar (16" tooth)
Y384	Extension Kit 4-Bar (16" tooth)
Y386	15" Extension Kit 3-Bar Straight (16" tooth)
Y387	15" Extension Kit 4-Bar Straight (16" tooth)
F3816	Extension pipe c/w 16" tooth
F3822	Extension pipe c/w 16" straight tooth
F3818	Angle Mount Head Assy
F3820	Standard Head Assy

NOTES

DIVISION LOCATIONS

Farm King Division
301 Mountain Street S.
Morden, MB R6M 1X7
Ph.: (204) 822-4467
Fax: (204) 822-6348

Allied/Inland Division
1260 Clarence Avenue
Winnipeg, MB R3T 1T2
Ph.: (204) 284-6100
Fax: (204) 477-2325

B.I.I. Division
1330 43rd Street N.W.
Fargo, ND 58102
Ph: (701) 282-7014
Fax: (701) 282-5865

U.S. WAREHOUSES

AR, West Memphis
(870) 732-3132

GA, Stone Mountain
(770) 908-9439

ID, Meridian
(208) 887-6006

IN, Clarksville
(812) 284-3376

KS, Wichita
(316) 265-9577

MN, Lakeville
(952) 469-5267

MT, Billings
(406) 248-7771

ND, Bismarck
(701) 223-1886

ND, Fargo
(701) 282-7003

NE, Blair
(402) 426-8211

OH, Youngstown
(330) 793-0862

OR, Beaverton
(503) 641-1865

SD, Huron
(605) 352-8616

TX, Houston
(713) 928-2632

UT, Salt Lake City
(801) 972-4321

WI, Portage
(608) 742-1370

CANADIAN WAREHOUSES

B.C., Abbotsford
(604) 864-2665

AB, Edmonton
(780) 962-6991

SK, Regina
(306) 781-2300

ON, Woodstock
(519) 539-0435

QC, Dorion
(450) 455-4840

OFFSHORE WAREHOUSES

Burando Hill
Katanning
W. Australia
011-618-98-214422

Chihuahua, Mexico
011-52-158-90306

John Kerr Equipment Ltd.
Wilcoxholm Farm
Linlithgow, W. Lothian
Scotland
011-441-506-842280

Skovde, Sweden
011-46-500-452651

Naestved, Denmark
011-45-557-29511

bühler

Buhler Manufacturing

**301 Mountain Street S.
Morden MB.
R6M 1X7
Ph.: (204) 822-4467
Fax: (204) 822-6348
www.buhler.com**