

TABLE OF CONTENTS

DESCRIPTION	PAGE NUMBER
Warranty	1
Decal Location Drawing	2
Category 1 Drawing & Parts List	3
Category 2 Drawing & Parts List	4
Category 3 Drawing & Parts List	5
Category 2-3 Drawing & Parts List	6

WARRANTY REGISTRATION AND POLICY

Buhler Manufacturing products are warranted for a period of twelve (12) months from original date of purchase, by original purchaser, to be free from defects in material and workmanship under correct, normal agricultural use and proper applications.

Buhler Manufacturing's obligations under this warranty shall be limited to the repair or exchange, at Buhler Manufacturing's option, of any Buhler Manufacturing product or part which proves to be defective as provided. Buhler Manufacturing reserves the right to either inspect the product at the buyer's location or have it returned to the factory for inspection.

The above warranty does not extend to goods damaged or subject to accident, abuse or misuse after shipment from Buhler Manufacturing's factory, nor to goods altered or repaired by anyone other than an authorized Buhler Manufacturing representative.

Buhler Manufacturing makes no Express Warranties other than those, which are specifically described. Any description of goods, including any references and specifications in catalogues, circulars and other written material published, is for the sole purpose of identifying goods and shall conform to such descriptions. Any sample or model is for illustrative purposes only and does not create an Express Warranty that the goods conform to sample or model shown.

The purchaser is solely responsible for determining suitability of goods sold. This warranty is expressly in lieu of all other warranties expressed or implied. Buhler Manufacturing will in no event be liable for any incidental or consequential damages whatsoever. Nor for any sum in excess of the price received for the goods for which liability is claimed.

WARRANTY CLAIMS:

Warranty requests must be prepared on Buhler Manufacturing Warranty Claim Forms with all requested information properly completed. Warranty Claims must be submitted within a thirty (30) day period from date of failure repair.

WARRANTY LABOR:

Any labor subject to warranty **must** be authorized by Buhler Manufacturing. The labor rate for replacing defective parts, where applicable, will be credited at a rate determined by the Company, Buhler Manufacturing.

IMPORTANT FACTS:

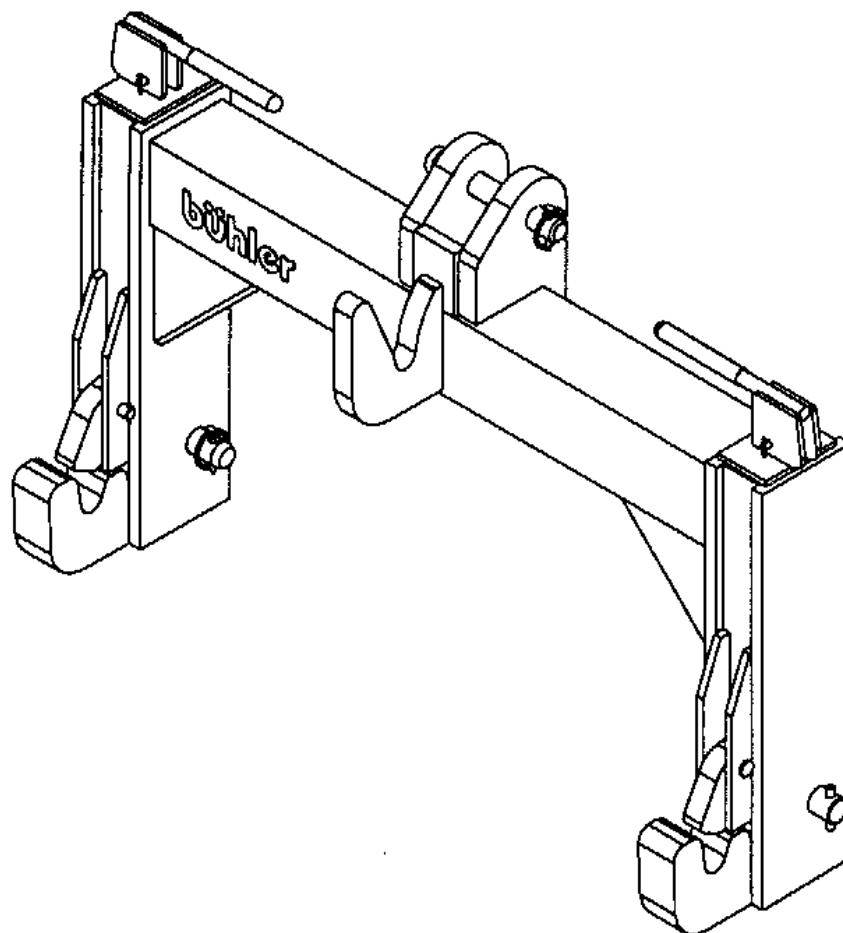
Buckets and Bucket Tines Carry No Warranty

Bent Spears Carry No Warranty

Snowblower Fan Shafts Carry No Warranty

Mower Blades Carry No Warranty

Portable Auger Parts Have Two (2) Year Warranty



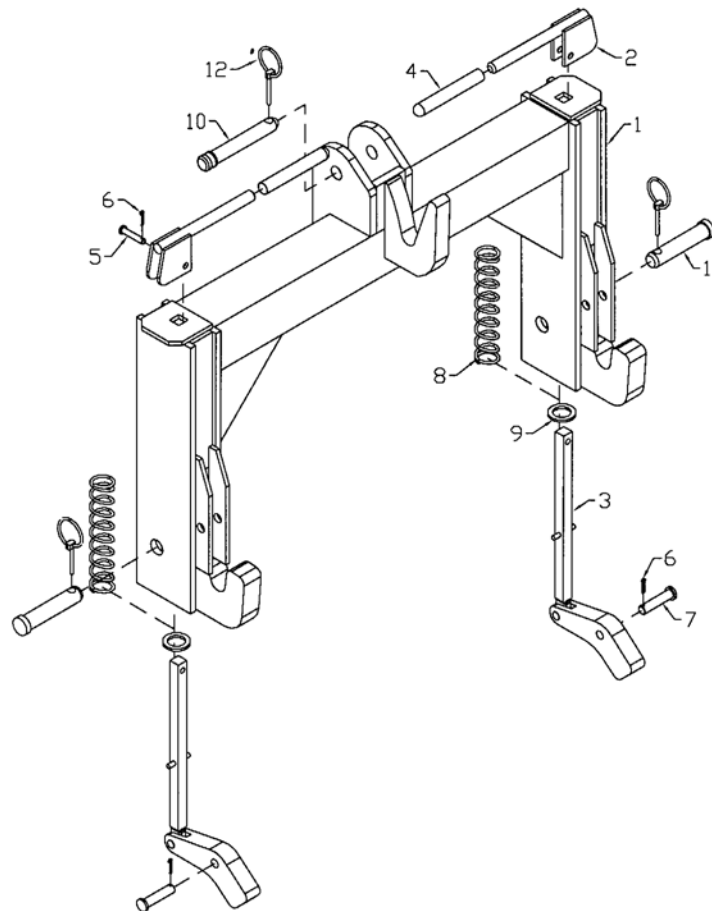
QH-04

WHEN ORDERING PARTS

Always give your dealer the Model and Serial Number of your machine to assist him in ordering and obtaining the correct parts. Use the exploded view and tabular listing of the area of interest to exactly identify the required part.

CAT. 1 QUICK HITCH

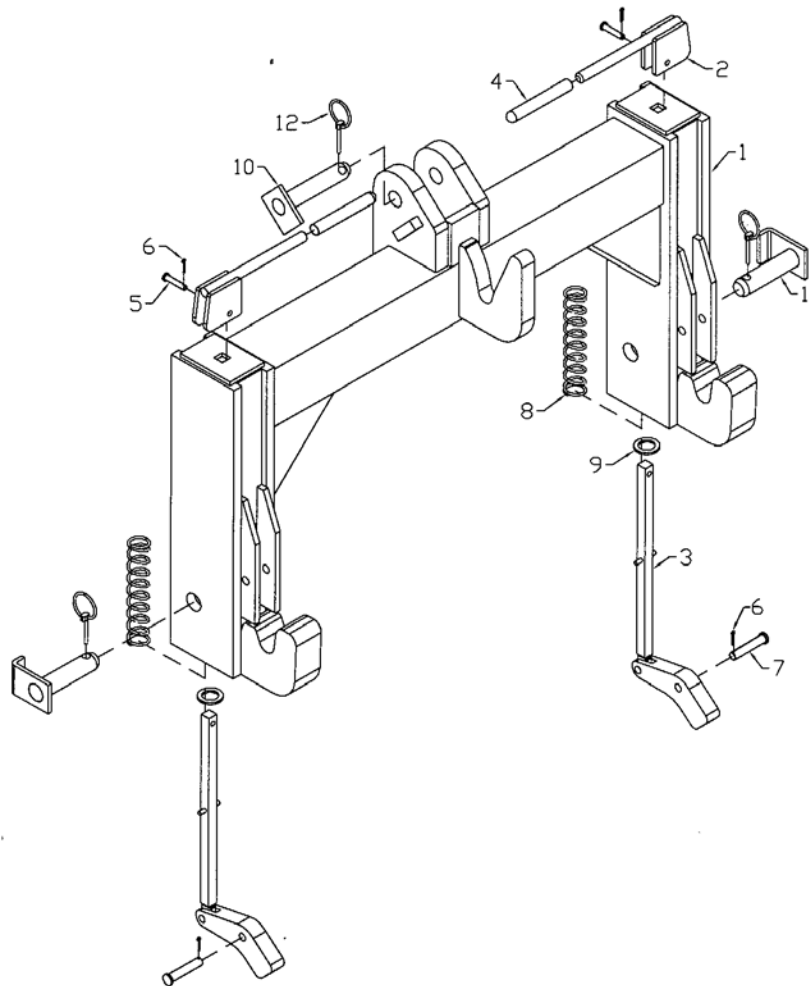
Item	Part#	Description
1	906943	Hitch Weldment
2	906946	Handle Weld't
3	906949	Connector Arm Sub-Assembly
4	906930	Black Vinyl Sleeve 5/8"dia x 4 1/2"
5	906987	5/16" x 1 1/2" Clevis Pin (pl)
6	9812430	1/8" x 1" Cotter Pin (pl)
7	961010	1/2" x 2 1/8" Clevis Pin (pl)
8	902853	Spring 1 3/8" OD x 5 3/4" lg (pl)
9	967140	1" x 10ga Narrow Rim Washer (pl)
10	965807	Top Link Pin (Cat 1) (pl)
11	967361	7/8" x 4" Clevis Pin (pl)
12	965911	7/16" Linch Pin (pl)



QH-01

CAT. 2 QUICK HITCH

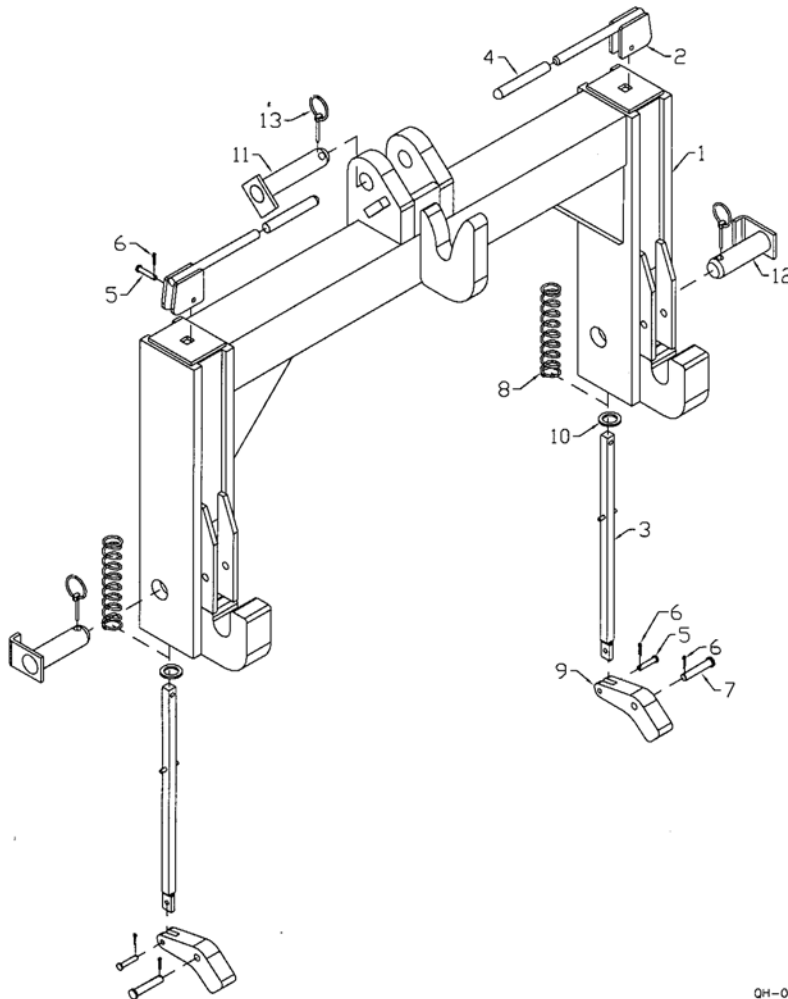
Item #	Part #	Description
1	906964	Hitch Weldment
2	906967	Handle Weld't
3	906969	Connector Arm Sub-Assembly
4	906930	Black Vinyl Sleeve 5/8"dia x 4 1/2"
5	906987	5/16" x 1 1/2" Clevis Pin (pl)
6	9812430	1/8" x 1" Cotter Pin (pl)
7	901435	1/2" x 2 1/2" Clevis Pin (pl)
8	902853	Spring 1 3/8" OD x 5 3/4" lg (pl)
9	967140	1" x 10ga Narrow Rim Washer (pl)
10	907337	Top Link Pin (Cat 2) 1" x 5 3/8" (pl)
11	907339	Quick Hitch Lift Pin (Cat 2) (pl)
12	965911	7/16" Linch Pin (pl)



QH-02

CAT. 3 QUICK HITCH

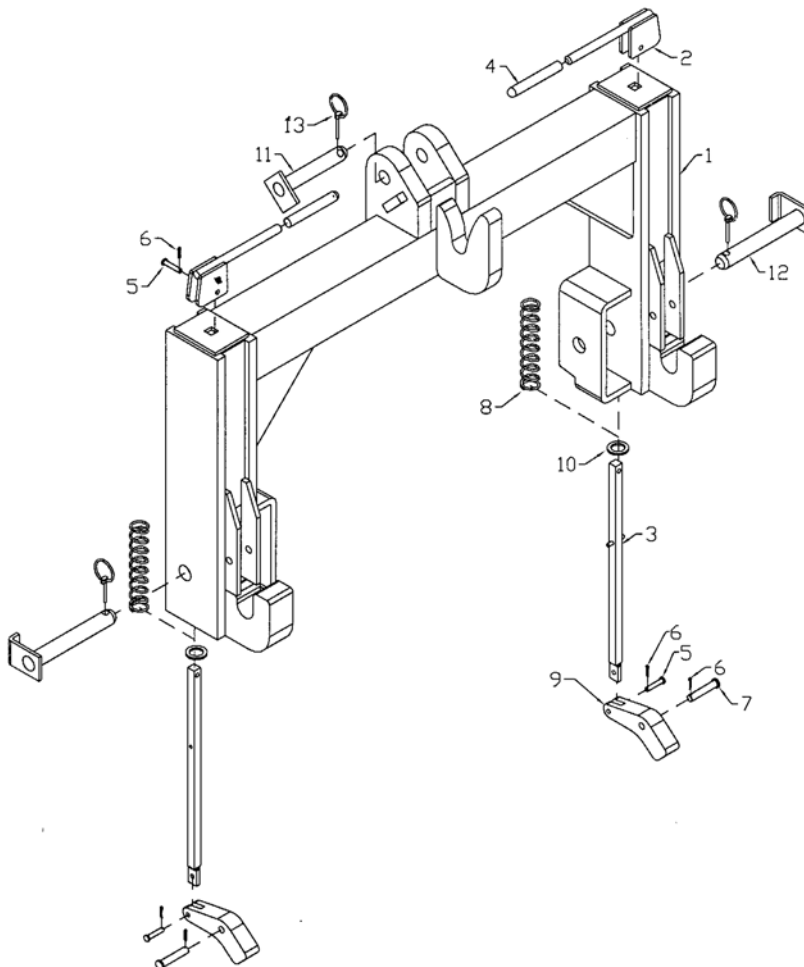
Item #	Part #	Description
1	906980	Hitch Weldment
2	906967	Handle Weld't
3	906982	Connector Arm Sub-Assembly
4	906930	Black Vinyl Sleeve 5/8"dia x 4 1/2"
5	906987	5/16" x 1 1/2" Clevis Pin (pl)
6	9812430	1/8" x 1" Cotter Pin (pl)
7	901435	1/2" x 2 1/2" Clevis Pin (pl)
8	902853	Spring 1 3/8" OD x 5 3/4" (pl)
9	906986	Connector Plate
10	967140	1" x 10ga Narrow Rim Washer (pl)
11	907000	Top Link Pin (Cat 3) (pl) 1 1/4" x 6 1/4"
12	907335	Quick Hitch Lift Pin (Cat 3) (pl)
13	965911	7/16" Linch Pin (pl)



QH-03

CAT. 2-3 QUICK HITCH

Item #	Part #	Description
1	907321	Hitch Weldment
2	906967	Handle Weld't
3	906982	Connector Arm Sub-Assembly
4	906930	Black Vinyl Sleeve 5/8"dia x 4 1/2"
5	906987	5/16" x 1 1/2" Clevis Pin (pl)
6	9812430	1/8" x 1" Cotter Pin (pl)
7	901435	1/2" x 2 1/2" Clevis Pin (pl)
8	902853	Spring 1 3/8" OD x 5 3/4" (pl)
9	906986	Connector Plate
10	967140	1" x 10ga Narrow Rim Washer (pl)
11	907331	Top Link Pin (Cat 2-3) (pl) 1" x 6 1/4"
12	907327	Quick Hitch Lift Pin (Cat 3) (pl)
13	965911	7/16" Linch Pin (pl)



QH-05