

TABLE OF CONTENTS

DESCRIPTION	PAGE NUMBER
Warranty	1
Assembly Instructions	2
Rear Blade Drawing	3
Cylinder & Mechanical Link Assembly Drawing	4
Parts List	5
Cylinder Assembly Drawings & Parts Lists	8
Bundle Numbers	9

WARRANTY POLICY

Buhler Manufacturing products are warranted for a period of twelve (12) months from original date of purchase, by original purchaser, to be free from defects in material and workmanship under correct, normal agricultural use and proper applications.

Buhler Manufacturing's obligations under this warranty shall be limited to the repair or exchange, at Buhler Manufacturing's option, of any Buhler Manufacturing product or part which proves to be defective as provided. Buhler Manufacturing reserves the right to either inspect the product at the buyer's location or have it returned to the factory for inspection.

The above warranty does not extend to goods damaged or subject to accident, abuse or misuse after shipment from Buhler Manufacturing's factory, nor to goods altered or repaired by anyone other than an authorized Buhler Manufacturing representative.

Buhler Manufacturing makes no Express Warranties other than those, which are specifically described. Any description of goods, including any references and specifications in catalogues, circulars and other written material published, is for the sole purpose of identifying goods and shall conform to such descriptions. Any sample or model is for illustrative purposes only and does not create an Express Warranty that the goods conform to sample or model shown.

The purchaser is solely responsible for determining suitability of goods sold. This warranty is expressly in lieu of all other warranties expressed or implied. Buhler Manufacturing will in no event be liable for any incidental or consequential damages whatsoever. Nor for any sum in excess of the price received for the goods for which liability is claimed.

WARRANTY CLAIMS:

Warranty requests must be prepared on Buhler Manufacturing Warranty Claim Forms with all requested information properly completed. Warranty Claims must be submitted within a thirty (30) day period from date of failure repair.

WARRANTY LABOR:

Any labor subject to warranty **must** be authorized by Buhler Manufacturing. The labor rate for replacing defective parts, where applicable, will be credited at a rate determined by the Company, Buhler Manufacturing.

IMPORTANT FACTS:

Buckets and Bucket Tines Carry No Warranty

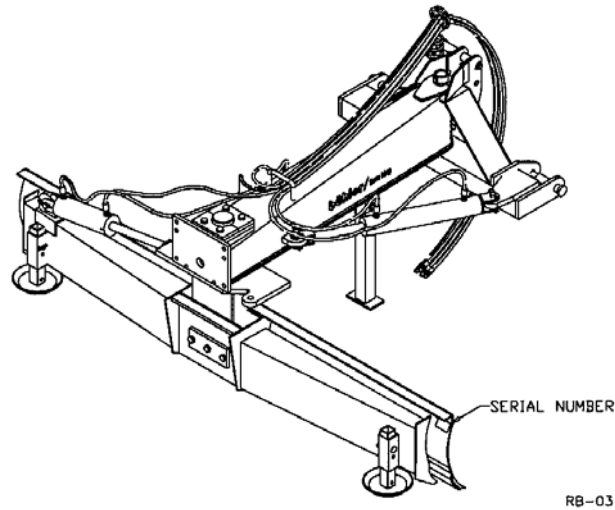
Bent Spears Carry No Warranty

Snowblower Fan Shafts Carry No Warranty

Mower Blades Carry No Warranty

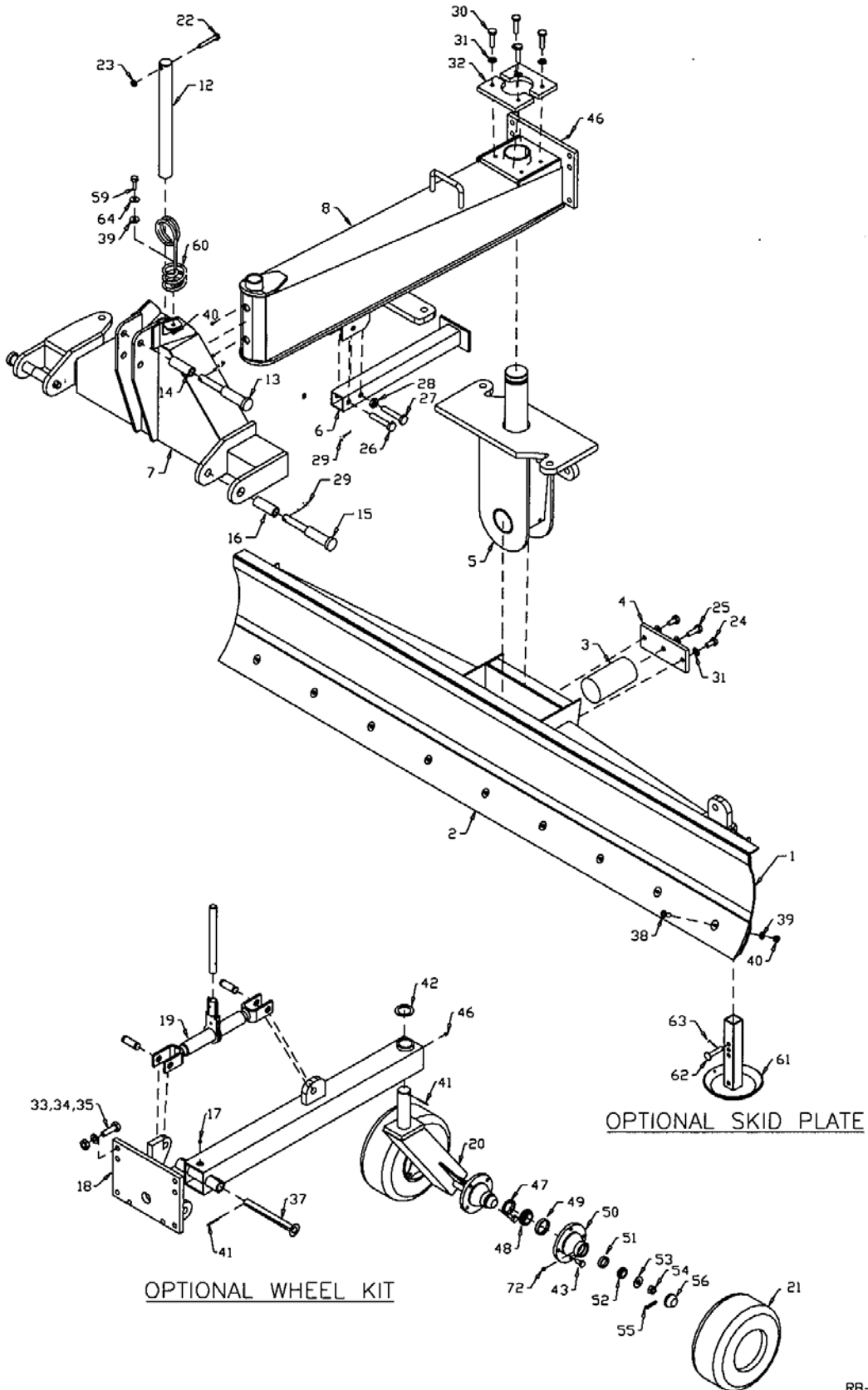
Portable Auger Parts Have Two (2) Year Warranty

100 & 150 SERIES BLADE ASSEMBLY INSTRUCTIONS

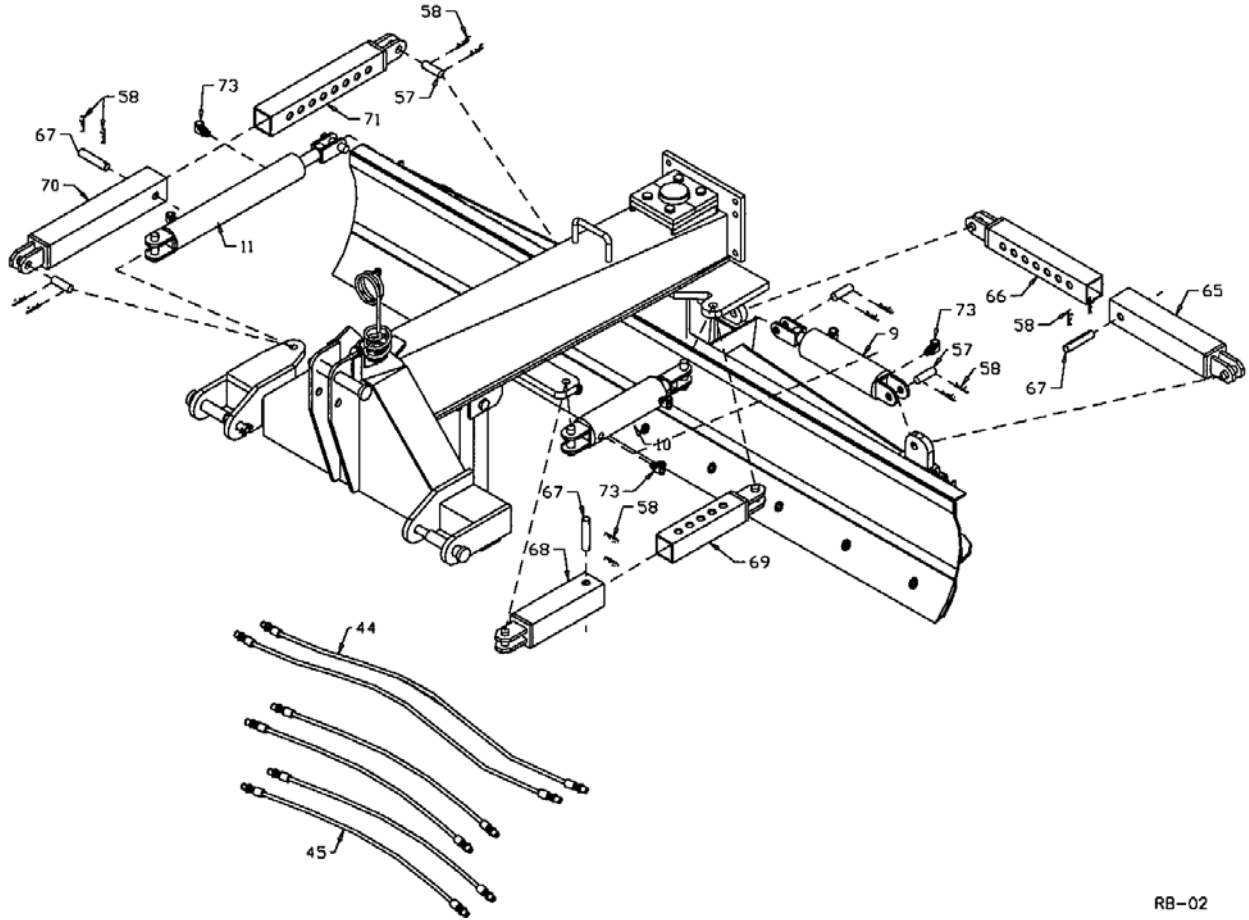


1. Remove the Blade Pin (#3) and the Clamp Plate (#4) from the blade assembly. Insert the King Pin (#5) into the blade assembly and assemble the Blade Pin and Clamp Plate using the hardware supplied.
2. Remove the King Pin Clamps (#32) from the Arm (#8). Slide the Arm onto the King Pin assembly (assembled in step #1). Position the clamps in the groove in the King Pin shaft and bolt securely in place.
3. Bolt the Stand (#6) to the Arm.
4. Remove the Arm Swivel Pin (#12) from the Hitch (#7). Slide the Hitch on to the arm assembly and connect using the Arm Swivel Pin. The pin is held in place with a hex bolt and lock nut.
5. Connect the three hydraulic cylinders (#9, #10 & #11). Cylinder (#9) is a 3 ½" x 8" cylinder which controls the tilt of the blade. Cylinder (#10) is a 3 ½" x 12" cylinder which controls the angle of the arm. Cylinder (#11) is a 4" x 18" cylinder for the 100 series and a 5" x 16" cylinder for the 150 series. This cylinder controls the offset of the blade.
6. Attach hydraulic hoses (4 x 120" and 2 x 144") to the hydraulic cylinders. Bolt the Hydraulic Hose Holder (#60) to the hitch.
7. Recheck and tighten all bolts. Grease the bushings at both ends of blade arm.
8. Optional Wheel Kit: Bolt the bracket at the end of the Wheel Kit Arm (#17) to the back of the blade using ¾" x 2 ¼" hex bolts, lock washers and hex nuts. Mount the wheel and tires to the Axle (#20). The shaft at the top of the axle fits through the bushing at the end of the Arm and is held on by a washer and cotter pin. Connect the Ratchet Jack (#19) to the Arm. The Ratchet Jack is used to control the cutting depth of the blade. Grease the bushings at both ends of the arm.

100 & 150 SERIES REAR BLADE



CYLINDER & MECHANICAL LINK ASSEMBLY



RB-02

WHEN ORDERING PARTS

Always give your dealer the Model, Color and Serial Number of your machine to assist him in ordering and obtaining the correct parts. Use the exploded view and tabular listing of the area of interest to exactly identify the required part.

100 & 150 SERIES REAR BLADE

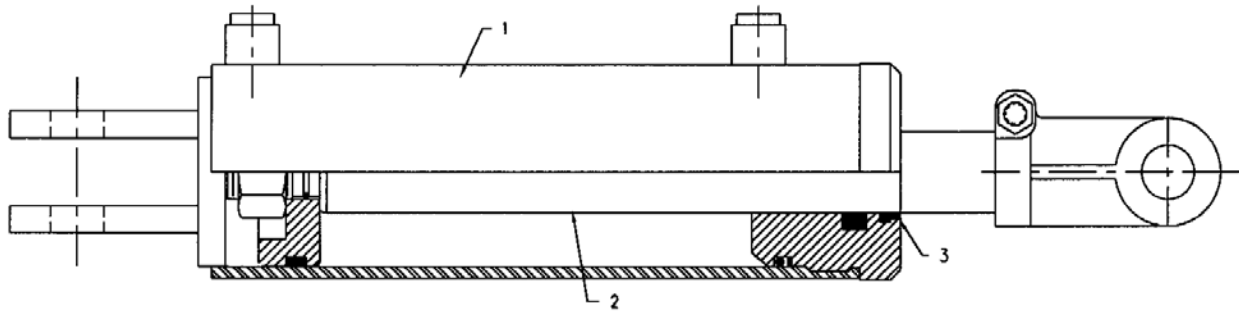
ITEM	PART #	DESCRIPTION
1	900449	8' 100 Series Blade
	900450	9' 100 Series Blade
	901444	8' 150 Series Blade
	900451	9' 150 Series Blade
	900452	10' 150 Series Blade
2	967523	8' 100 & 150 Series Cutting Edge
	900457	9' 100 & 150 Series Cutting Edge
	900458	10' 150 Series Cutting Edge
3	900454	100 Series Blade Pin
	900455	150 Series Blade Pin
4	900453	Clamp Plate
5	903131	100 Series King Pin w/grease zerk
	903132	150 Series King Pin w/grease zerk
6	900417	100 Series Stand
	900415	150 Series Stand
7	900388	100 Series Hitch
	900389	150 Series Hitch
8	906725	100 Series Arm
	906726	150 Series Arm
9	24803	Tilt Cylinder 3 1/2" X 8"
10	24823	Angle Cylinder 3 1/2" X 12"
11	24824	100 Series Offset Cylinder 4" X 18"
	24859	150 Series Offset Cylinder 5" X 16"
12	900412	Arm Swivel Pin
13	965910	Top Link Pin CAT 2
14	965266	Link Pin Bushing CAT 2-3
15	967461	Lift Pin CAT 2-3
16	965267	Lift Pin Bushing
17	906733	Wheel Kit Arm
18	906729	Wheel Kit Bracket
19	967499	Ratchet Jack
20	906740	Axle
21	F253	Tire Mounted 6.70
	F7110	Wheel 15" x 4.5" x 4 Bolt
22	81629	1/2" X 3 1/2" Hex Bolt (pl)

23	812364	1/2" Lock Nut (pl)
24	811702	5/8" X 1 1/4" Hex Bolt (pl)
25	84299	5/8" x 2" Hex Bolt (pl)
26	965807	Pin Top Link CAT.1
27	811790	3/4" x 4 1/2" Hex Bolt GR 5 (pl)
28	812365	3/4" Lock Nut (steel) NC GRB (pl)
29	965911	7/16" Linch Pin
30	84268	5/8" x 1 1/2" Hex Bolt (pl)
31	81677	5/8" Lockwasher (pl)
32	900431	100 Series King Pin Clamp
	900432	150 Series King Pin Clamp
33	84346	3/4" x 2 1/2" Hex Bolts (pl)
34	81700	3/4" Hex Nut (pl)
35	81701	3/4" Lockwasher (pl)
36	967162	5/16" X 3" Cotter Pin (pl)
37	906735	Swivel Pin
38	967524	1/2" X 1 1/2" Plow Bolts (pl)
39	81637	1/2" Lockwasher (pl)
40	81636	1/2" Hex Nut (pl)
41	812435	1/4" X 1 3/4" Cotter Pin (pl)
42	967153	2" x 10GA Narrow Rim Washer (pl)
43	968404	1/2" X 1 1/4" Wheel Bolt (pl)
44	114905	144" Hydraulic Hose
45	114906	120" Hydraulic Hose
46	967164	Pound-in Grease Nipple
47	961891	Oil Seal ctd (se11)
48	967712	Outer Bearing Cone (Im67048)
49	968405	Bearing Cup (Im11910)
50	105173	4-Bolt hub (411) w/ cups ctd
51	967711	Outer Bearing Cup (Im67010)
52	968406	Outer Bearing Cone (Im11949)
53	84050	3/4" Washer SAE (pl)
54	81834	3/4" Slotted Hex Nut (br)
55	967436	1/8" x 1 1/4" Cotter Pin (pl)
56	968409	Dust Cap (dc12)
57	103753	1" x 4" Cylinder Clevis Pin
58	12779	#9 Hair Pin Clip
59	84277	1/2" x 1 1/2" Hex Bolt GR5 (pl)
60	966314	Hyd Hose Holder (10 3/4")
61	902407	Skid Plate Weld't - Option
62	902486	Skid Pin 5/8" X 3 1/8"
63	9812430	Cotter Pin 1/8" X 1" (pl)
64	81638	1/2" Flat Washer (pl)

65	901578	Manual Tilt Sleeve Outer Tube 12 3/4" lg (100 Series)
	906037	Manual Tilt Sleeve Outer Tube 12 3/4" lg (150 Series)
66	901581	Manual Tilt Sleeve Inner Tube 13" long
67	901584	Sleeve Pin 1" x 4 3/4"
68	901579	Manual Angle Sleeve Outer Tube 17 1/4" long
69	901582	Manual Angle Sleeve Inner Tube 17 3/4" long
70	901580	Manual Offset Sleeve Outer Tube 21" long
71	901583	Manual Offset Sleeve Inner Tube 20" long
72	84583	Grease Fitting 1/8" NPT STR
73	905392	Elbow 3/4 MORB X 3/4 FORB

3.5 x 8 CYLINDER ASSEMBLY

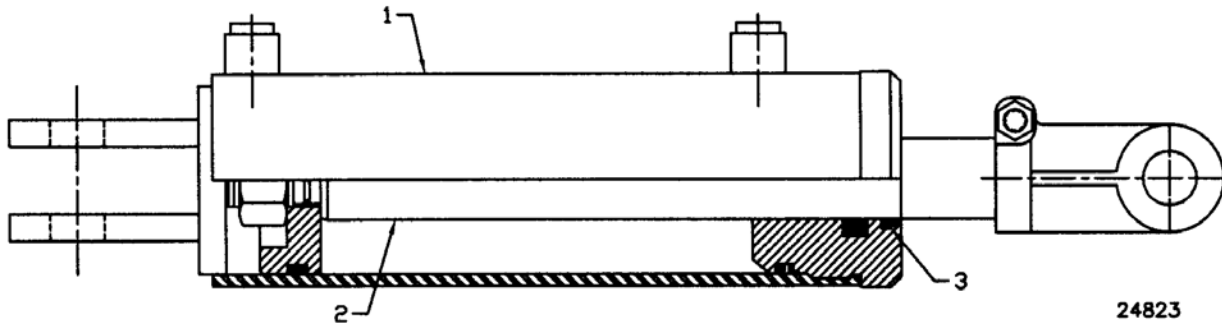
Item #	Part #	Description
	24803	Cyl Complete
1	24804	Tube Weldt
2	113934	Piston Rod 1.5 Dia
3	X2098	Seal Kit



24803

3.5 x 12 CYLINDER ASSEMBLY

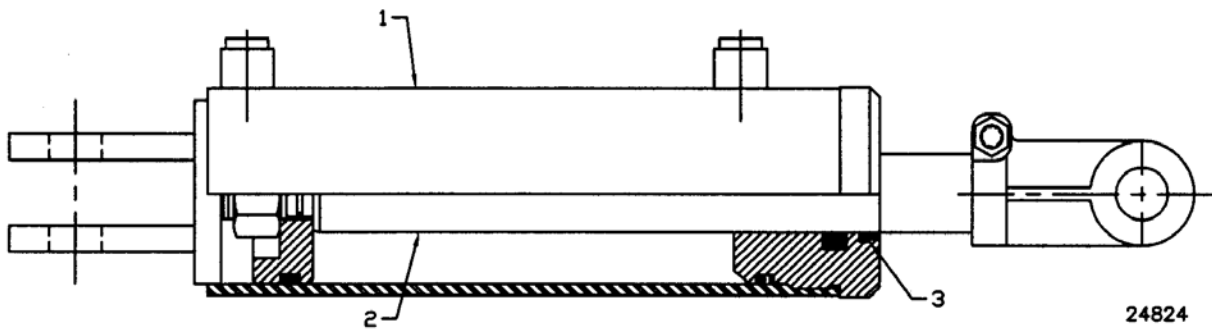
Item #	Part #	Description
	24823	Cyl Complete
1	24825	Tube Weldt
2	113935	Piston Rod 1.5 Dia
3	X2098	Seal Kit



24823

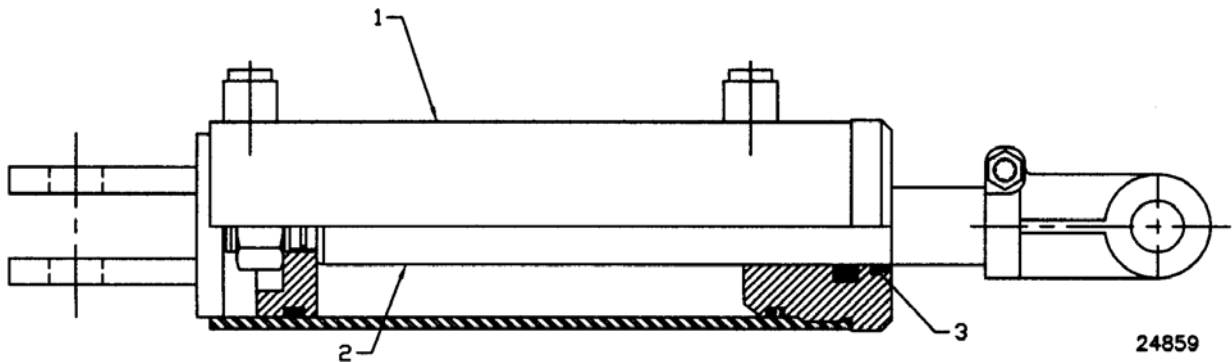
4 x 18 CYLINDER ASSEMBLY

Item #	Part #	Description
1	24824	Cylinder Complete
2	24826	Tube Weldment
3	113936	Piston Rod 1.5 Dia
	X2235	Seal Kit



5 x 16 CYLINDER ASSEMBLY

Item #	Part #	Description
1	24859	Cylinder Complete
2	24860	Tube Weldment
3	113938	Piston Rod 2.0 Dia
	X2236	Seal Kit



**100 SERIES REAR BLADE
BUNDLE NUMBERS**

QUANTITY BUNDLE NO. DESCRIPTION

8' REAR BLADE c/w cylinders and hoses: C8100

1	F6696	Crate of Parts with cylinders
1	F6699	8' Bundle

8' REAR BLADE less cylinders: C8102

1	F6699	8' Bundle
1	F6708	Crate of Parts

9' REAR BLADE c/w cylinders and hoses: C9100

1	F6696	Crate of Parts with cylinders
1	F0342	9' Bundle

9' REAR BLADE less cylinders: C9102

1	F0342	9' Bundle
1	F6708	Crate of Parts

OPTIONS:

C9151	Dual Gauge Wheel w/Tires
F6707	Skid Shoe Set
F6582	Mechanical Link – Tilt
F6692	Hydraulic Cylinder & Hoses – Tilt
F6583	Mechanical Link – Angle
F6693	Hydraulic Cylinder & Hoses – Angle
F6584	Mechanical Link – Offset
F6694	Hydraulic Cylinder & Hoses - Offset

**150 SERIES REAR BLADE
BUNDLE NUMBERS**

QUANTITY BUNDLE NO. DESCRIPTION

8' REAR BLADE c/w cylinders and hoses: C8150

1	F6697	Crate of Parts with cylinders
1	F0343	8' Bundle

8' REAR BLADE less cylinders: C8152

1	F0343	8' Bundle
1	F6709	Crate of Parts

9' REAR BLADE c/w cylinders and hoses: C9150

1	F6697	Crate of Parts with cylinders
1	F0344	9' Bundle

9' REAR BLADE less cylinders and hoses: C9152

1	F0344	9' Bundle
1	F6709	Crate of Parts

10' REAR BLADE c/w cylinders and hoses: C10150

1	F6697	Crate of Parts with cylinders
1	F0345	10' Bundle

10' REAR BLADE less cylinders and hoses: C10152

1	F0345	10' Bundle
1	F6709	Crate of Parts

OPTIONS:

C9151	Dual Gauge Wheel w/Tires
F6707	Skid Shoe Set
F6582	Mechanical Link – Tilt
F6692	Hydraulic Cylinder & Hoses – Tilt
F6583	Mechanical Link – Angle
F6693	Hydraulic Cylinder & Hoses – Angle
F6584	Mechanical Link – Offset
F6695	Hydraulic Cylinder & Hoses – Offset