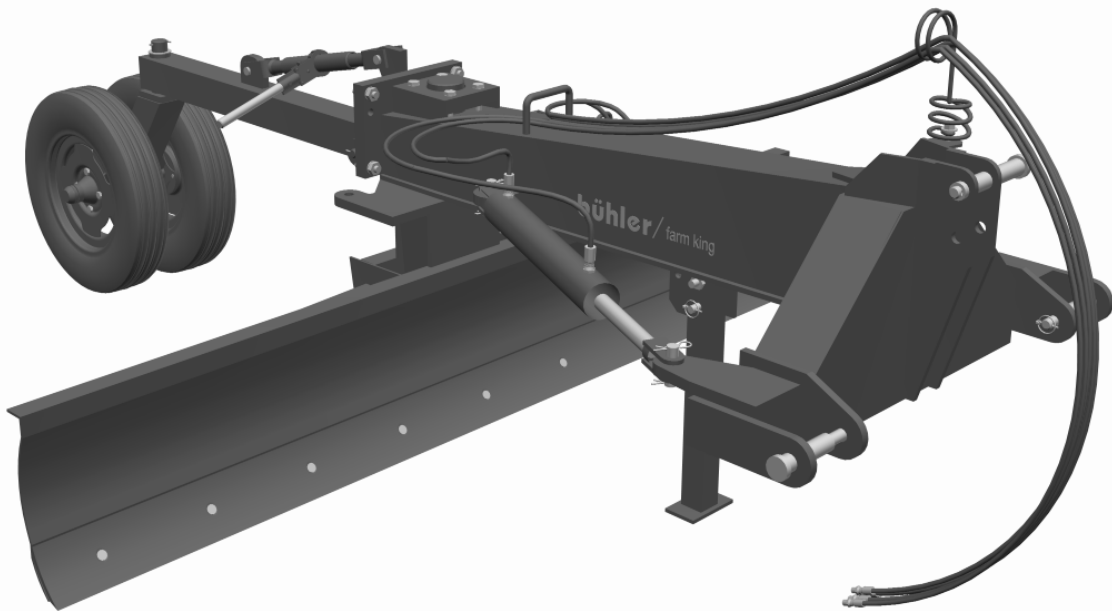


bühler

farm king



100 & 150 Series Rear Blade

Operator's and Parts Manual
FK346

2008

TABLE OF CONTENTS

DESCRIPTION	PAGE
WARRANTY	1
INTRODUCTION	2
SAFETY	3
Safety	3
General Safety	4
Start-up Safety	4
Operation Safety	4
Transport Safety	4
Service and Maintenance Safety	5
Storage Safety	5
Safety Signs	5
Safety Sign Installation	5
ASSEMBLY	6
Assembly Instructions	6
OPERATION	7
Theory of Operation of Rear Blade	7
MAINTENANCE	8
Bolt Torque	8
PARTS DRAWINGS	9
100 & 150 Series Rear Blade Drawings	9
100 & 150 Series Rear Blade Parts List	11
CYLINDER ASSEMBLY	14
Drawings and Parts Lists	14
SHIPPING KIT AND BUNDLE NUMBERS	16

WARRANTY POLICY

Buhler Manufacturing products are warranted for a period of twelve (12) months (90 days for commercial application) from original date of purchase, by original purchaser, to be free from defects in material and workmanship under correct, normal agricultural use and proper applications.

Buhler Manufacturing's obligations under this warranty shall be limited to the repair or exchange, at Buhler Manufacturing's option, of any Buhler Manufacturing product or part which proves to be defective as provided. Buhler Manufacturing reserves the right to either inspect the product at the buyer's location or have it returned to the factory for inspection.

The above warranty does not extend to goods damaged or subject to accident, abuse or misuse after shipment from Buhler Manufacturing's factory, nor to goods altered or repaired by anyone other than an authorized Buhler Manufacturing representative.

Buhler Manufacturing makes no Express Warranties other than those, which are specifically described. Any description of goods, including any references and specifications in catalogues, circulars and other written material published, is for the sole purpose of identifying goods and shall conform to such descriptions. Any sample or model is for illustrative purposes only and does not create an Express Warranty that the goods conform to sample or model shown.

The purchaser is solely responsible for determining suitability of goods sold. This warranty is expressly in lieu of all other warranties expressed or implied. Buhler Manufacturing will in no event be liable for any incidental or consequential damages whatsoever. Nor for any sum in excess of the price received for the goods for which liability is claimed.

WARRANTY CLAIMS:

Warranty requests must be prepared on Buhler Manufacturing Warranty Claim Forms with all requested information properly completed. Warranty Claims must be submitted within a thirty (30) day period from date of failure repair.

WARRANTY LABOR:

Any labor subject to warranty **must** be authorized by Buhler Manufacturing. The labor rate for replacing defective parts, where applicable, will be credited at 100% of the dealer's posted shop rate. Defective parts will receive an extra 10% discount to assist with freight or other incidental costs.

GOVERNMENT LEGISLATION:

Warranty terms and conditions are subject to Provincial or State legislation.

IMPORTANT FACTS:

Buckets and Bucket Tines Carry No Warranty
Bent Spears Carry No Warranty
Snowblower Fan Shafts Carry No Warranty
Mower Blades Carry No Warranty
Portable Auger Parts Have Two (2) Year Warranty
Loader Parts Have Two (2) Year Warranty

IMPORTANT NOTE: This warranty does not apply to rentals

INTRODUCTION

Buhler Farm King has been building a wide variety of rear blades for several decades. These blades are built using more steel, which adds strength, longevity and durability to each blade. Buhler Farm King rear blades are capable of tackling tough scraping projects. These rear blades have been precisely built, with particular attention to the pivot point. The tight tolerances minimize metal-on-metal wear and allows for accurate adjustments and longer blade life. Buhler Farm King Rear Blades are Quick Hitch compatible and the parking stand is standard equipment. These blades come in 8', 9' and 10' widths. Angle adjustment, offset and tilt can be fitted with either hydraulic cylinders or mechanical linkage.

Keep this manual handy for frequent reference. All new operators or owners must review the manual before using the equipment and at least annually thereafter. Contact your Buhler Dealer if you need assistance, information, or additional copies of the manual. Visit our website at www.buhler.com for a complete list of dealers in your area.

The directions left, right, front and rear, as mentioned throughout this manual, are as seen facing in the direction of travel of the implement.

SAFETY

Remember, YOU are the key to safety. Good safety practices not only protect you, but also the people around you. Make these practices a working part of your safety program. Be certain that everyone operating this equipment is familiar with the recommended operating and maintenance procedures and follows all the safety precautions. Most accidents can be prevented. Do not risk injury or death by ignoring good safety practices.

The alert symbol is used throughout this manual. It indicates attention is required and identifies hazards. Follow the recommended precautions.



The safety alert symbol means...

ATTENTION! BECOME ALERT! YOUR SAFETY IS INVOLVED!



CAUTION

The caution symbol indicates a potentially hazardous situation that, if not avoided, may result in minor or moderate injury. It may also be used to alert against unsafe practices.



WARNING

The Warning Symbol indicates a potentially hazardous situation that, if not avoided, could result in death or serious injury, and includes hazards that are exposed when guards are removed. It may also be used to alert against unsafe practices.



DANGER

The Danger Symbol indicates an imminently hazardous situation that, if not avoided will result in death or serious injury. This signal word is to be limited to the most extreme situations, typically for machine components that, for functional purposes, cannot be guarded.

GENERAL SAFETY INSTRUCTIONS

Have a first-aid kit available for use and know how to use it.

Have a fire extinguisher available, stored in a highly visible location, and know how to use it.

Wear appropriate protective gear. This list may include but is not limited to:

- hard hat
- protective shoes with slip resistant soles
- protective glasses or goggles
- heavy gloves
- wet weather gear
- hearing protection
- respirator or filter mask

Read and understand the Operator's Manual and all safety signs before operating, servicing, adjusting, repairing, or unplugging the equipment.

Do not attempt any unauthorized modifications to your Buhler product as this could affect function or safety, and could affect the life of the equipment.

Inspect and clean the working area before operating.

Keep hands, feet, clothing, and hair away from moving parts.

Ensure bystanders are clear of the area before operating.

START-UP SAFETY

Do not let inexperienced operators or children run this equipment.

Operate only with ROPS and seatbelt equipped tractors.

OPERATION SAFETY

Do not permit riders.

Do not wear loose fitting clothing during operation.

TRANSPORT SAFETY

Review Transport Safety instructions in tractor manual before moving. Check with local authorities regarding transport on public roads. Obey all applicable laws and regulations. Make sure the SMV (Slow Moving Vehicle) emblem and all the lights and reflectors that are required by the local highway and transport authorities are in place, are clean, and can be seen clearly by all overtaking and oncoming traffic. Always travel at a safe speed. Inflate transport tires to recommended pressure.

SERVICE AND MAINTENANCE SAFETY

Stop engine, set brake, remove ignition key, and wait for all moving parts to stop before servicing, adjusting, repairing, or unplugging.

Support the equipment with blocks or safety stands before working beneath it.

Follow good shop practices including:

- keep service area clean and dry
- be sure electrical outlets and tools are properly grounded
- use adequate light for the job

Use only tools, jacks, and hoists of sufficient capacity for the job.

Use heavy leather gloves to handle sharp objects.

Check hydraulics regularly for leaks. Use cardboard to look for leaks, and use hand and eye protection.

Relieve pressure on hydraulic system before repairing or adjusting.

Failure to follow proper procedures when mounting a tire on a wheel or rim can produce an explosion, which may result in serious injury or death.

STORAGE SAFETY

Store the unit in an area away from human activity.

Do not permit children to play on or around the stored machine.

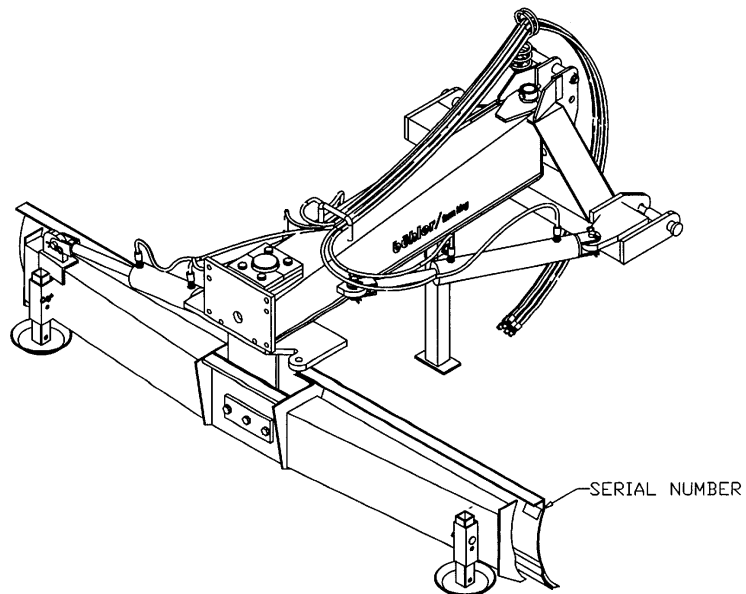
Support the frame on stands and blocks to provide a secure base.

SAFETY SIGNS

The following illustration shows the approximate location and detail of safety signs. Keep all safety signs clean and legible and replace any that are damaged or missing. When original parts are replaced, any safety signs affixed to those parts should be replaced as well. Replacement safety signs are available from your local dealer.

INSTALLATION

To install safety signs, ensure the installation area is clean and dry. Decide on the exact position before you remove the backing paper. Remove the smallest portion of the split backing paper and align over the specified area. Carefully press in place. Slowly peel back the remaining paper and smooth the remaining portion in place. Small air pockets can be pierced with a pin and smoothed out.



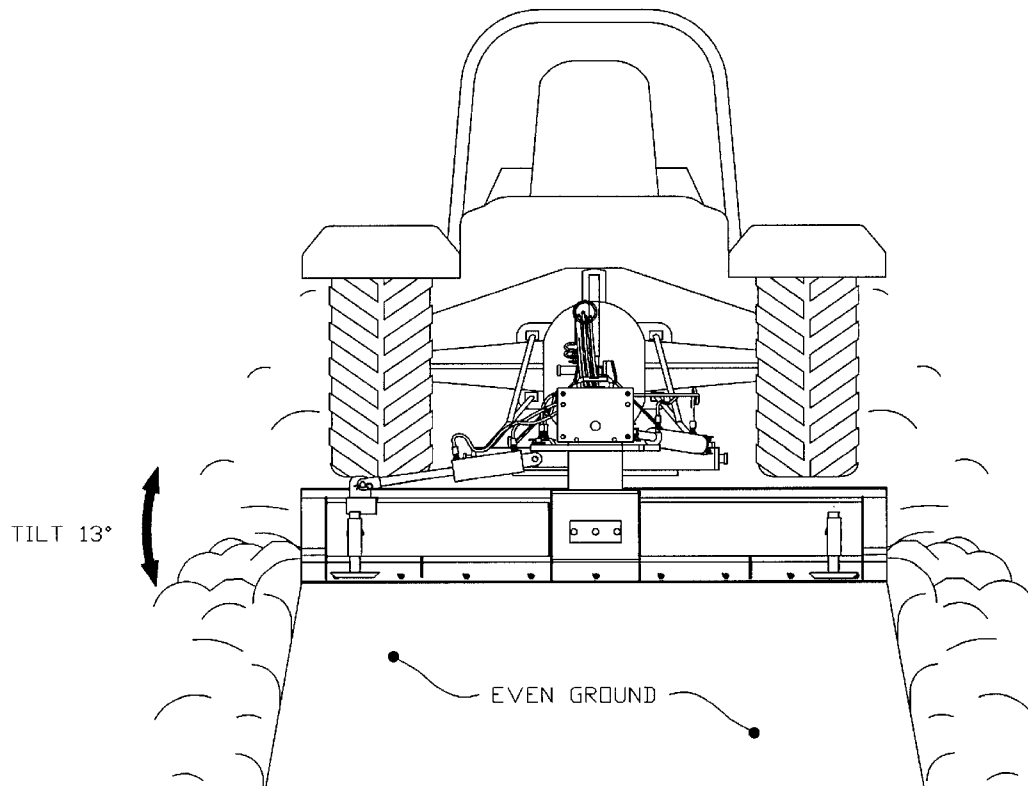
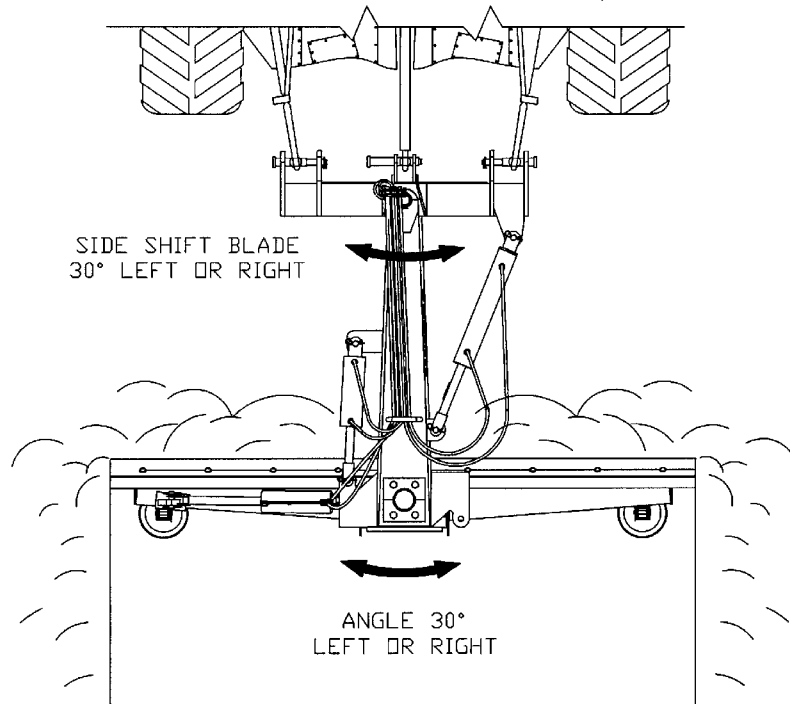
RB-09

ASSEMBLY INSTRUCTIONS

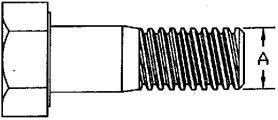
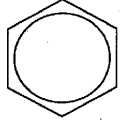
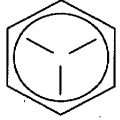
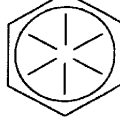
1. Remove the Blade Pin (#3) and the Clamp Plate (#4) from the blade assembly. Insert the King Pin (#5) into the blade assembly and assemble the Blade Pin and Clamp Plate using the hardware supplied.
2. Remove the King Pin Clamps (#32) from the Arm (#8). Slide the Arm onto the King Pin assembly (assembled in step #1). Position the clamps in the groove in the King Pin shaft and bolt securely in place.
3. Bolt the Stand (#6) to the Arm.
4. Remove the Arm Swivel Pin (#12) from the Hitch (#7). Slide the Hitch on to the arm assembly and connect using the Arm Swivel Pin. The pin is held in place with a hex bolt and lock nut.
5. Connect the three hydraulic cylinders (#9, #10 & #11). Cylinder (#9) is a 3 ½" x 8" cylinder which controls the tilt of the blade. Cylinder (#10) is a 3 ½" x 12" cylinder which controls the angle of the arm. Cylinder (#11) is a 4" x 18" cylinder for the 100 series and a 5" x 16" cylinder for the 150 series. This cylinder controls the offset of the blade.
6. Attach hydraulic hoses (4 x 120" and 2 x 144") to the hydraulic cylinders. Bolt the Hydraulic Hose Holder (#60) to the hitch.
7. Recheck and tighten all bolts. Grease the bushings at both ends of blade arm.
8. Optional Wheel Kit: Bolt the bracket at the end of the Wheel Kit Arm (#17) to the back of the blade using ¾" x 2 ¼" hex bolts, lock washers and hex nuts. Mount the wheel and tires to the Axle (#20). The shaft at the top of the axle fits through the bushing at the end of the Arm and is held on by a washer and cotter pin. Connect the Ratchet Jack (#19) to the Arm. The Ratchet Jack is used to control the cutting depth of the blade. Grease the bushings at both ends of the arm.

OPERATING INSTRUCTIONS

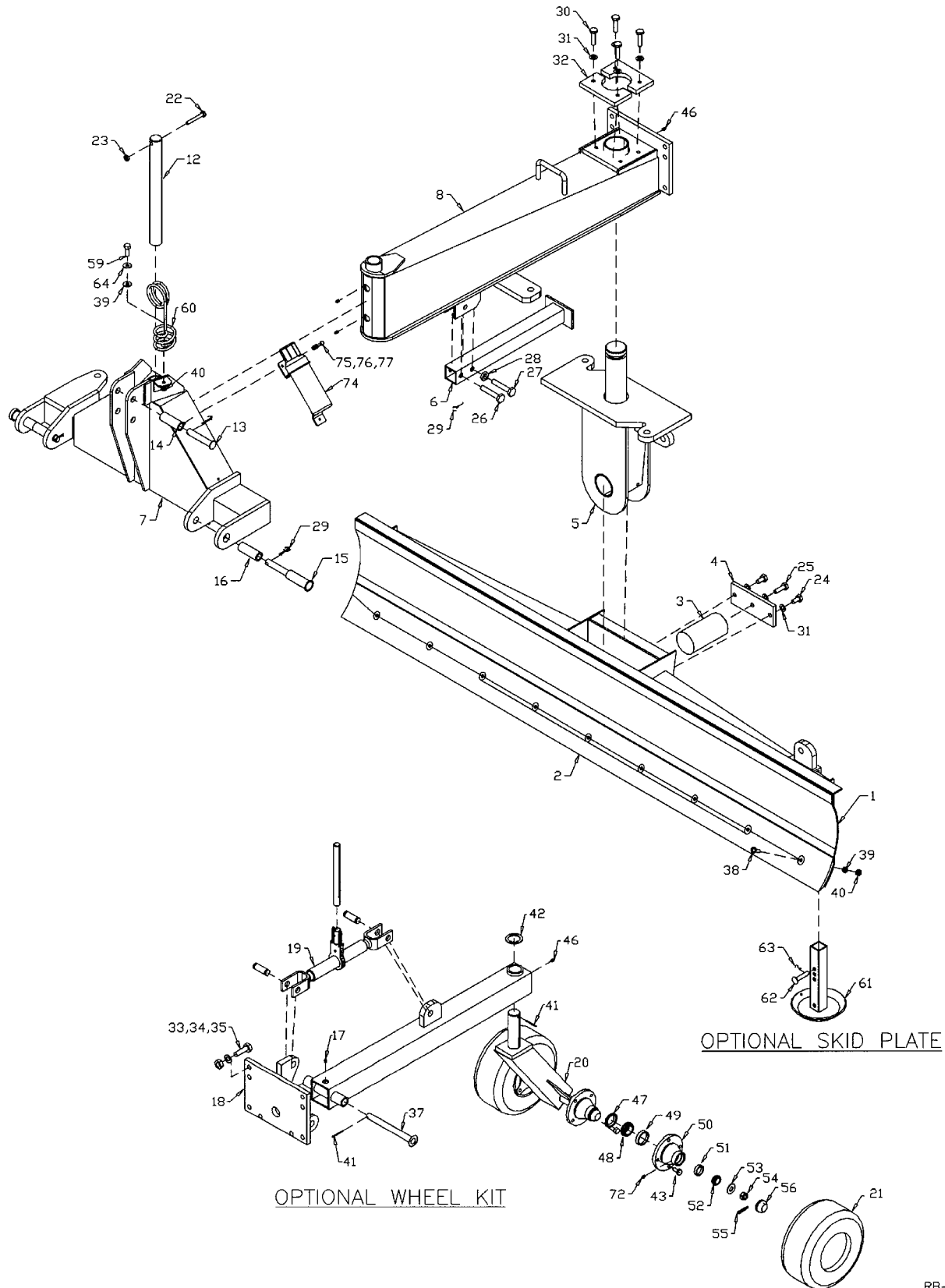
THEORY OF OPERATION



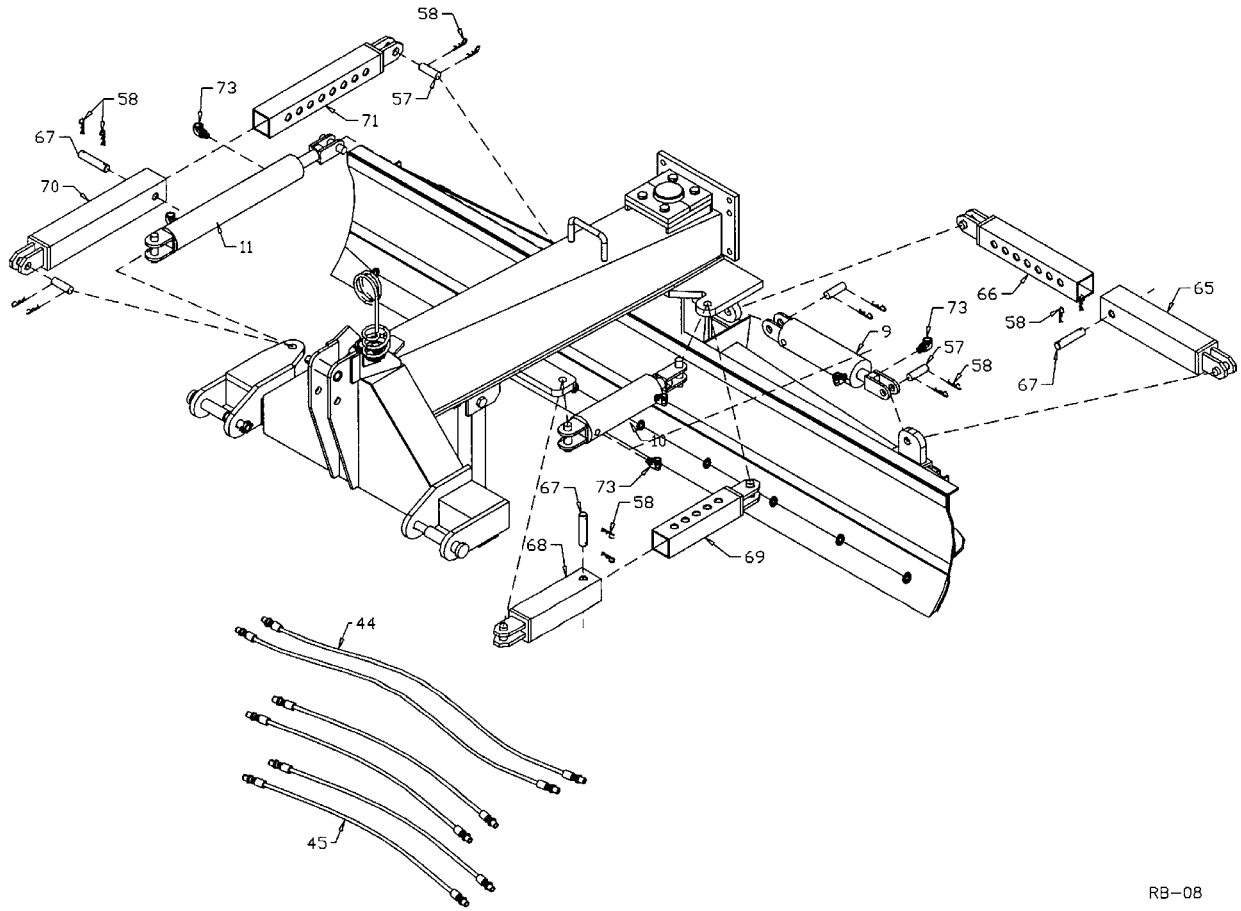
MAINTENANCE

Bolt Torque						
						
Bolt Diameter	SAE2		SAE5		SAE8	
"A"	N.m	lb-ft	N.m	lb-ft	N.m	lb-ft
1/4"	8	6	12	9	17	12
5/16"	13	10	25	19	36	27
3/8"	27	20	45	33	63	45
7/16"	41	30	72	53	100	75
1/2"	61	45	110	80	155	115
9/16"	95	70	155	115	220	165
5/8"	128	95	215	160	305	220
3/4"	225	165	390	290	540	400
7/8"	230	170	570	420	880	650
1"	345	225	850	630	1320	970

100 & 150 SERIES REAR BLADE



CYLINDER & MECHANICAL LINK ASSEMBLY



RB-08

WHEN ORDERING PARTS

Always give your dealer the Model, Color and Serial Number of your machine to assist him in ordering and obtaining the correct parts. Use the exploded view and tabular listing of the area of interest to exactly identify the required part.

100 & 150 SERIES REAR BLADE

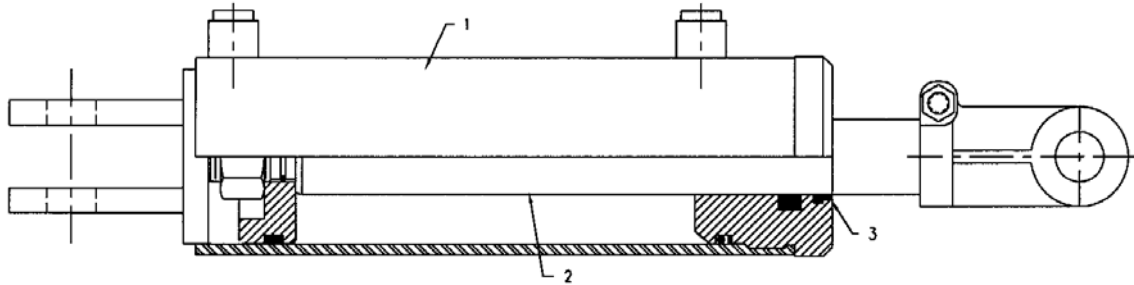
ITEM	PART #	DESCRIPTION
1	900449	8' 100 Series Blade
	900450	9' 100 Series Blade
	901444	8' 150 Series Blade
	900451	9' 150 Series Blade
	900452	10' 150 Series Blade
2	967523	8' 100 & 150 Series Cutting Edge
	900457	9' 100 & 150 Series Cutting Edge
	900458	10' 150 Series Cutting Edge
3	900454	100 Series Blade Pin
	900455	150 Series Blade Pin
4	900453	Clamp Plate
5	903131	100 Series King Pin W/ Grease Zerk
	903132	150 Series King Pin W/ Grease Zerk
6	900417	100 Series Stand
	900415	150 Series Stand
7	900388	100 Series Hitch
	900389	150 Series Hitch
8	906725	100 Series Arm
	906726	150 Series Arm
9	24803	Tilt Cylinder 3 1/2" x 8"
10	24823	Angle Cylinder 3 1/2" x 12"
11	24824	100 Series Offset Cylinder 4" x 18"
	24859	150 Series Offset Cylinder 5" x 16"
12	900412	Arm Swivel Pin
13	965910	Top Link Pin Category 2
14	965266	Link Pin Bushing Category 2-3
15	967461	Lift Pin Category 2-3
16	965267	Lift Pin Bushing
17	906733	Wheel Kit Arm
18	906729	Wheel Kit Bracket
19	967499	Ratchet Jack
20	906740	Axle
21	F253	Tire Mounted 6.70
	F7110	Wheel 15" x 4.5" x 4 Bolt
22	81629	1/2" x 3 1/2" Hex Bolt (pl)
23	812364	1/2" Lock Nut (pl)

24	811702	5/8" x 1 1/4" Hex Bolt (pl)
25	84299	5/8" x 2" Hex Bolt (pl)
26	965807	Pin Top Link Category.1
27	811790	3/4" x 4 1/2" Hex Bolt GR 5 (pl)
28	812365	3/4" Lock Nut (steel) NC GRB (pl)
29	965911	7/16" Linch Pin
30	84268	5/8" x 1 1/2" Hex Bolt (pl)
31	81677	5/8" Lockwasher (pl)
32	900431	100 Series King Pin Clamp
	900432	150 Series King Pin Clamp
33	84346	3/4" x 2 1/2" Hex Bolts (pl)
34	81700	3/4" Hex Nut (pl)
35	81701	3/4" Lockwasher (pl)
36	967162	5/16" x 3" Cotter Pin (pl)
37	906735	Swivel Pin
38	967524	1/2" x 1 1/2" Plow Bolts (pl)
39	81637	1/2" Lockwasher (pl)
40	81636	1/2" Hex Nut (pl)
41	81210	1/4" x 2" Cotter Pin (pl)
42	967153	2" x 10GA Narrow Rim Washer (pl)
43	968404	1/2" x 1 1/4" Wheel Bolt (pl)
44	114905	144" Hydraulic Hose
45	114906	120" Hydraulic Hose
46	967164	Pound-in Grease Nipple
47	961891	Oil Seal ctd (se11)
48	967712	Outer Bearing Cone (Im67048)
49	968405	Bearing Cup (Im11910)
50	105173	4-Bolt hub (411) w/ cups ctd
51	967711	Outer Bearing Cup (Im67010)
52	968406	Outer Bearing Cone (Im11949)
53	84050	3/4" Washer sae (pl)
54	81834	3/4" Slotted Hex Nut (br)
55	967436	1/8" x 1 1/4" Cotter Pin (pl)
56	968409	Dust Cap (dc12)
57	103753	1" x 4" Cylinder Clevis Pin
58	12779	#9 Hair Pin Clip
59	84277	1/2" x 1 1/2" Hex Bolt GR5 (pl)
60	966314	Hyd Hose Holder (10 3/4")
61	902407	Skid Plate Weld't - Option
62	902486	Skid Pin 5/8" x 3 1/8"
63	9812430	Cotter Pin 1/8" x 1" (pl)
64	81638	1/2" Flat Washer (pl)
65	901578	Manual Tilt Sleeve Outer Tube 12 3/4" lg (100 Series)
	906037	Manual Tilt Sleeve Outer Tube 12 3/4" lg (150 Series)
66	901581	Manual Tilt Sleeve Inner Tube 13" long

67	901584	Sleeve Pin 1" x 4 3/4"
68	901579	Manual Angle Sleeve Outer Tube 17 1/4" long
69	901582	Manual Angle Sleeve Inner Tube 17 3/4" long
70	901580	Manual Offset Sleeve Outer Tube 21" long
71	901583	Manual Offset Sleeve Inner Tube 20" long
72	967900	1/4" Grease Fitting
73	905392	Elbow 3/4 MORB x 3/4 FORB
74	909277	Manual Holder
75	81552	5/16" x 1 1/4" Hex Bolt (pl)
76	81569	5/16" Lock Washer (pl)
77	81568	5/16" Hex Nut (pl)

3.5 x 8 CYLINDER ASSEMBLY

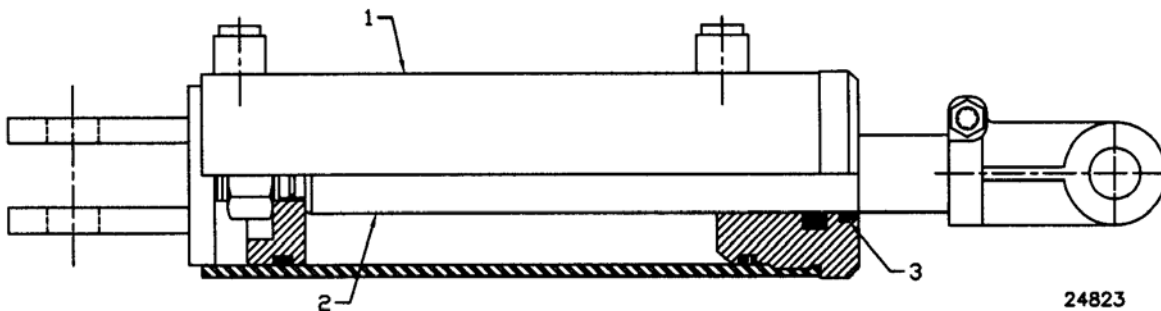
Item #	Part #	Description
	24803	Cyl Complete
1	24804	Tube Weldt
2	113934	Piston Rod 1.5 Dia
3	X2098	Seal Kit



24803

3.5 x 12 CYLINDER ASSEMBLY

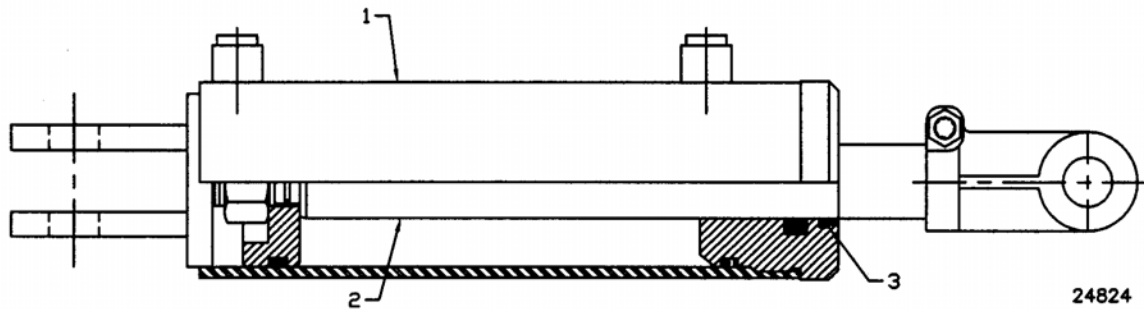
Item #	Part #	Description
	24823	Cyl Complete
1	24825	Tube Weldt
2	113935	Piston Rod 1.5 Dia
3	X2098	Seal Kit



24823

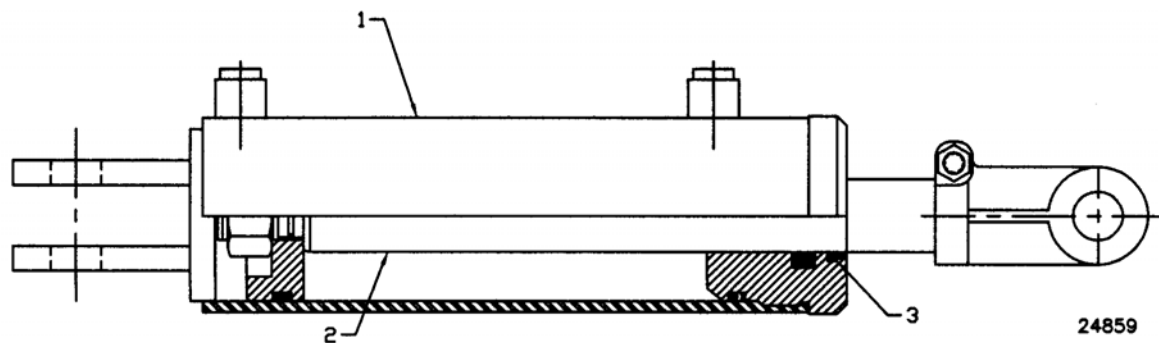
4 x 18 CYLINDER ASSEMBLY

Item #	Part #	Description
	24824	Cylinder Complete
1	24826	Tube Weldment
2	113936	Piston Rod 1.5 Dia
3	X2235	Seal Kit



5 x 16 CYLINDER ASSEMBLY

Item #	Part #	Description
	24859	Cylinder Complete
1	24860	Tube Weldment
2	113938	Piston Rod 2.0 Dia
3	X2236	Seal Kit



**SHIPPING KIT AND BUNDLE NUMBERS
100 SERIES REAR BLADE**

The following is a list of Kit Numbers for this product and the Bundle Numbers, Descriptions, and Quantities for each Kit.

QUANTITY	BUNDLE NO.	DESCRIPTION
C8100	8' REAR BLADE c/w cylinders and hoses	
1	F6696	Crate of Parts with cylinders
1	F0341	8' Bundle
C8102	8' REAR BLADE less cylinders:	
1	F0793	8' Bundle
C9100	9' REAR BLADE c/w cylinders and hoses:	
1	F6696	Crate of Parts with cylinders
1	F0342	9' Bundle
C9102	9' REAR BLADE less cylinders:	
1	F0794	9' Bundle

OPTIONAL BUNDLE NUMBERS

The following is a list of options available for the Kits listed above.

C9151	Dual Gauge Wheel w/Tires
F6707	Skid Shoe Set
F0113	Mechanical Link – Tilt
F6692	Hydraulic Cylinder & Hoses – Tilt
F6583	Mechanical Link – Angle
F6693	Hydraulic Cylinder & Hoses – Angle
F6584	Mechanical Link – Offset
F6694	Hydraulic Cylinder & Hoses - Offset

**SHIPPING KIT AND BUNDLE NUMBERS
150 SERIES REAR BLADE**

The following is a list of Kit Numbers for this product and the Bundle Numbers, Descriptions, and Quantities for each Kit.

QUANTITY	BUNDLE NO.	DESCRIPTION
C8150 8' REAR BLADE c/w cylinders and hoses:		
1	F6697	Crate of Parts with cylinders
1	F0343	8' Bundle
C8152 8' REAR BLADE less cylinders:		
1	F0795	8' Bundle
C9150 9' REAR BLADE c/w cylinders and hoses:		
1	F6697	Crate of Parts with cylinders
1	F0344	9' Bundle
C9152 9' REAR BLADE less cylinders and hoses:		
1	F0796	9' Bundle
C10150 10' REAR BLADE c/w cylinders and hoses:		
1	F6697	Crate of Parts with cylinders
1	F0345	10' Bundle
C10152 10' REAR BLADE less cylinders and hoses:		
1	F0797	10' Bundle

OPTIONAL BUNDLE NUMBERS:

The following is a list of options available for the Kits listed above.

C9151	Dual Gauge Wheel w/Tires
F6707	Skid Shoe Set
F6582	Mechanical Link – Tilt
F6692	Hydraulic Cylinder & Hoses – Tilt
F6583	Mechanical Link – Angle
F6693	Hydraulic Cylinder & Hoses – Angle
F6584	Mechanical Link – Offset
F6695	Hydraulic Cylinder & Hoses – Offset

NOTES

NOTES

DIVISION LOCATIONS

Farm King Division
301 Mountain Street S.
Morden, MB R6M 1X7
Ph.: (204) 822-4467
Fax: (204) 822-6348

Allied/Inland Division
1260 Clarence Avenue
Winnipeg, MB R3T 1T2
Ph.: (204) 284-6100
Fax: (204) 477-2325

B.I.I. Division
1330 43rd Street N.W.
Fargo, ND 58102
Ph: (701) 282-7014
Fax: (701) 282-5865

U.S. WAREHOUSES

AR, West Memphis
(870) 732-3132

GA, Stone Mountain
(770) 908-9439

ID, Meridian
(208) 887-6006

IN, Clarksville
(812) 284-3376

KS, Wichita
(316) 265-9577

MN, Lakeville
(952) 469-5267

MT, Billings
(406) 248-7771

ND, Bismarck
(701) 223-1886

ND, Fargo
(701) 282-7003

NE, Blair
(402) 426-8211

OH, Youngstown
(330) 793-0862

OR, Beaverton
(503) 641-1865

SD, Huron
(605) 352-8616

TX, Houston
(713) 928-2632

UT, Salt Lake City
(801) 972-4321

WI, Portage
(608) 742-1370

CANADIAN WAREHOUSES

B.C., Abbotsford
(604) 864-2665

AB, Edmonton
(780) 962-6991

SK, Regina
(306) 781-2300

ON, Woodstock
(519) 539-0435

QC, Dorion
(450) 455-4840

OFFSHORE WAREHOUSES

Burando Hill
Katanning
W. Australia
011-618-98-214422

Chihuahua, Mexico
011-52-158-90306

John Kerr Equipment Ltd.
Wilcoxholm Farm
Linlithgow, W. Lothian
Scotland
011-441-506-842280

Skovde, Sweden
011-46-500-452651

Naestved, Denmark
011-45-557-29511

bühler

Buhler Manufacturing

**301 Mountain Street S.
Morden MB.
R6M 1X7
Ph.: (204) 822-4467
Fax: (204) 822-6348
www.buhler.com**