

WARRANTY POLICY

Buhler Manufacturing products are warranted for a period of twelve (12) months from original date of purchase, by original purchaser, to be free from defects in material and workmanship under correct, normal agricultural use and proper applications.

Buhler Manufacturing's obligations under this warranty shall be limited to the repair or exchange, at Buhler Manufacturing's option, of any Buhler Manufacturing product or part which proves to be defective as provided. Buhler Manufacturing reserves the right to either inspect the product at the buyer's location or have it returned to the factory for inspection.

The above warranty does not extend to goods damaged or subject to accident, abuse or misuse after shipment from Buhler Manufacturing's factory, nor to goods altered or repaired by anyone other than an authorized Buhler Manufacturing representative.

Buhler Manufacturing makes no Express Warranties other than those, which are specifically described. Any description of goods, including any references and specifications in catalogues, circulars and other written material published, is for the sole purpose of identifying goods and shall conform to such descriptions. Any sample or model is for illustrative purposes only and does not create an Express Warranty that the goods conform to sample or model shown.

The purchaser is solely responsible for determining suitability of goods sold. This warranty is expressly in lieu of all other warranties expressed or implied. Buhler Manufacturing will in no event be liable for any incidental or consequential damages whatsoever. Nor for any sum in excess of the price received for the goods for which liability is claimed.

WARRANTY CLAIMS:

Warranty requests must be prepared on Buhler Manufacturing Warranty Claim Forms with all requested information properly completed. Warranty Claims must be submitted within a thirty (30) day period from date of failure repair.

WARRANTY LABOR:

Any labor subject to warranty **must** be authorized by Buhler Manufacturing. The labor rate for replacing defective parts, where applicable, will be credited at a rate determined by the Company, Buhler Manufacturing.

IMPORTANT FACTS:

Buckets and Bucket Tines Carry No Warranty

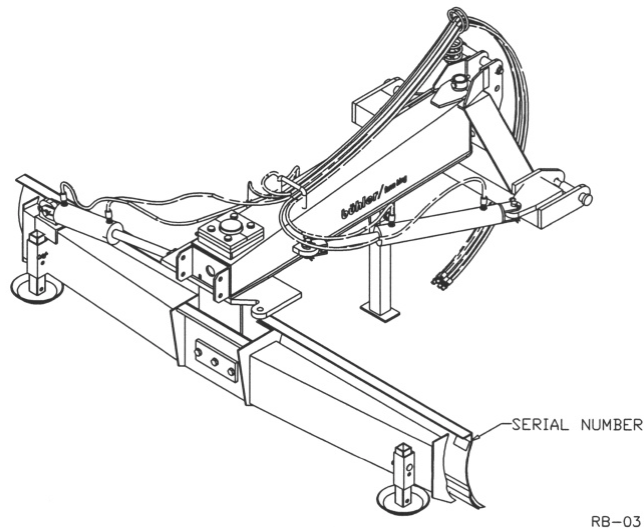
Bent Spears Carry No Warranty

Snowblower Fan Shafts Carry No Warranty

Mower Blades Carry No Warranty

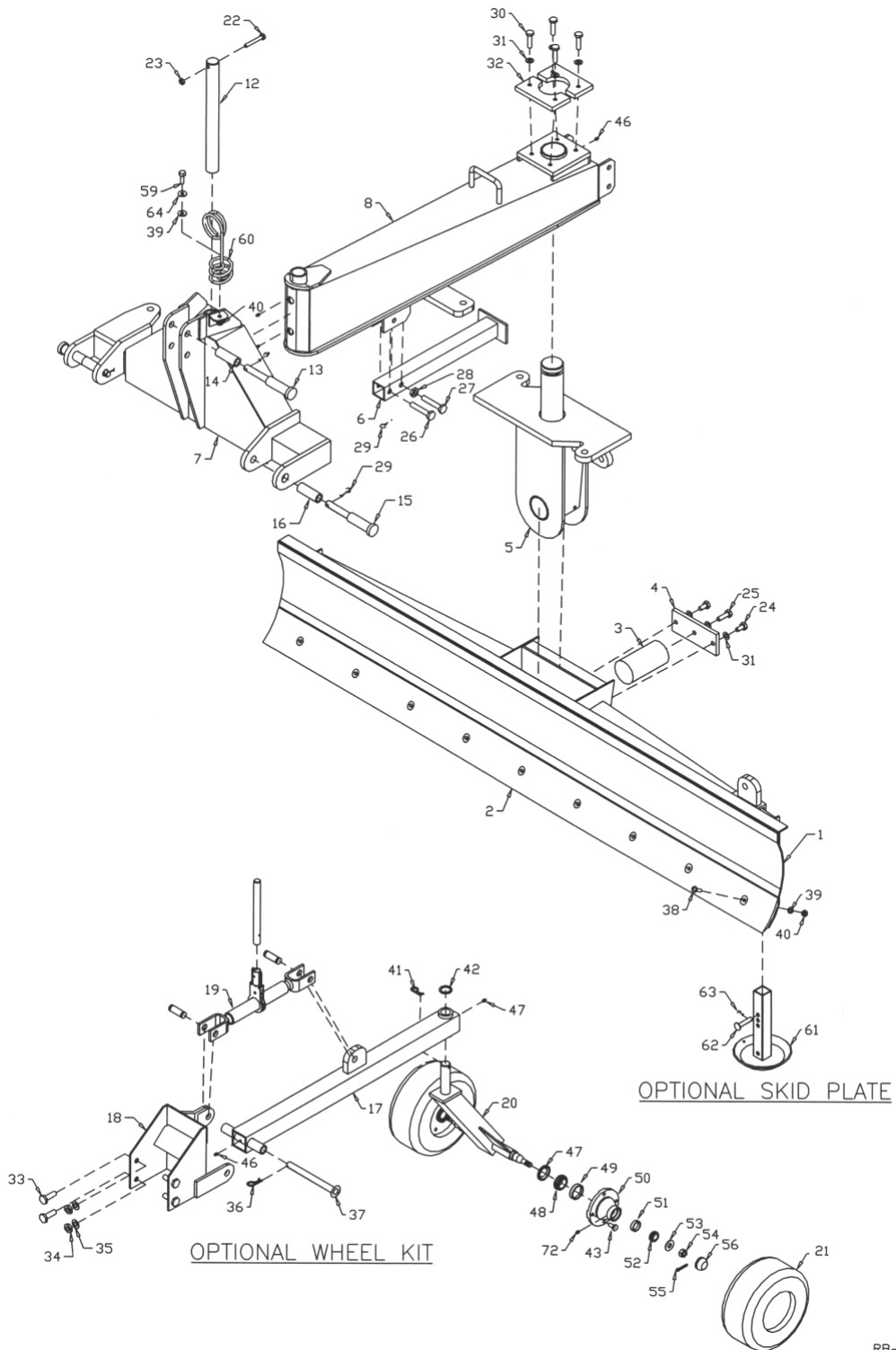
Portable Auger Parts Have Two (2) Year Warranty

100 & 150 SERIES BLADE ASSEMBLY INSTRUCTIONS

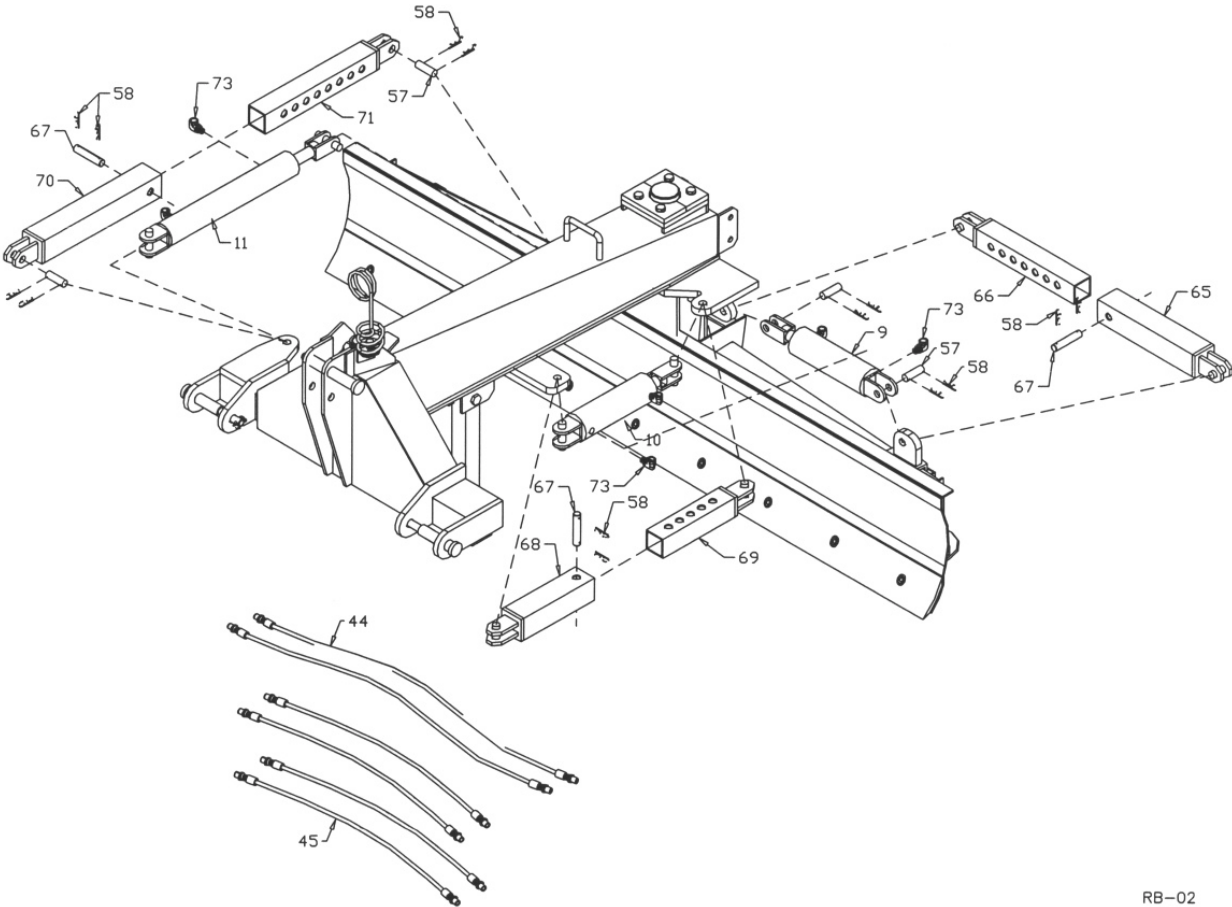


1. Remove the Blade Pin (#3) and the Clamp Plate (#4) from the blade assembly. Insert the King Pin (#5) into the blade assembly and assemble the Blade Pin and Clamp Plate using the hardware supplied.
2. Remove the King Pin Clamps (#32) from the Arm (#8). Slide the Arm onto the King Pin assembly (assembled in step #1). Position the clamps in the groove in the King Pin shaft and bolt securely in place.
3. Bolt the Stand (#6) to the Arm.
4. Remove the Arm Swivel Pin (#12) from the Hitch (#7). Slide the Hitch on to the arm assembly and connect using the Arm Swivel Pin. The pin is held in place with a hex bolt and lock nut.
5. Connect the three hydraulic cylinders (#9, 10 & 11). Cylinder #9 is a 3 ½" x 8" cylinder which controls the tilt of the blade. Cylinder #10 is a 3 ½" x 12" cylinder which controls the angle of the arm. Cylinder #11 is a 4" x 18" cylinder for the 100 series and a 5" x 16" cylinder for the 150 series. This cylinder controls the offset of the blade.
6. Attach hydraulic hoses (4 x 120" and 2 x 144") to the hydraulic cylinders. Bolt the Hydraulic Hose Holder (#60) to the hitch.
7. Recheck and tighten all bolts. Grease the bushings at both ends of blade arm.
8. Optional Wheel Kit: Bolt the bracket at the end of the Wheel Kit Arm (#17) to the back of the blade using ¾" x 2 ¼" hex bolts, lock washers and hex nuts. Mount the wheel and tires to the Axle (#20). The shaft at the top of the axle fits through the bushing at the end of the Arm and is held on by a washer and cotter pin. Connect the Ratchet Jack (#19) to the Arm. The Ratchet Jack is used to control the cutting depth of the blade. Grease the bushings at both ends of the arm.

100 & 150 SERIES REAR BLADE



CYLINDER & MECHANICAL LINK ASSEMBLY



RB-02

WHEN ORDERING PARTS

Always give your dealer the Model and Serial Number of your machine to assist him in ordering and obtaining the correct parts. Use the exploded view and tabular listing of the area of interest to exactly identify the required part.

100 & 150 SERIES REAR BLADE

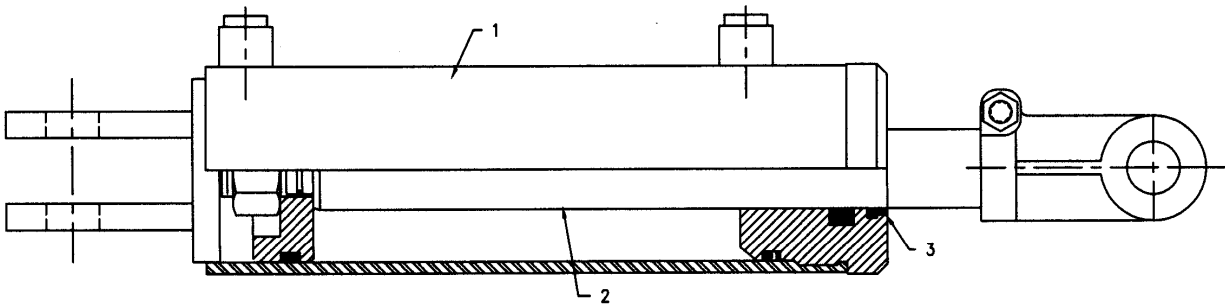
| ITEM | PART # | DESCRIPTION |
|------|--------|-------------------------------------|
| 1 | 900449 | 8' 100 Series Blade |
| | 900450 | 9' 100 Series Blade |
| | 901444 | 8' 150 Series Blade |
| | 900451 | 9' 150 Series Blade |
| | 900452 | 10' 150 Series Blade |
| 2 | 967523 | 8' 100 & 150 Series Cutting Edge |
| | 900457 | 9' 100 & 150 Series Cutting Edge |
| | 900458 | 10' 150 Series Cutting Edge |
| 3 | 900454 | 100 Series Blade Pin |
| | 900455 | 150 Series Blade Pin |
| 4 | 900453 | Clamp Plate |
| 5 | 903131 | 100 Series King Pin |
| | 903132 | 150 Series King Pin |
| 6 | 900417 | 100 Series Stand |
| | 900415 | 150 Series Stand |
| 7 | 900388 | 100 Series Hitch |
| | 900389 | 150 Series Hitch |
| 8 | 903164 | 100 Series Arm |
| | 903167 | 150 Series Arm |
| 9 | 24803 | Tilt Cylinder 3 1/2" X 8" |
| 10 | 24823 | Angle Cylinder 3 1/2" X 12" |
| 11 | 24824 | 100 Series Offset Cylinder 4" X 18" |
| | 24859 | 150 Series Offset Cylinder 5" X 16" |
| 12 | 900412 | Arm Swivel Pin |
| 13 | 965910 | Top Link Pin CAT 2 |
| 14 | 965266 | Link Pin Bushing CAT 2-3 |
| 15 | 967461 | Lift Pin CAT 2-3 |
| 16 | 965267 | Lift Pin Bushing |
| 17 | 901559 | Wheel Kit Arm |
| 18 | 900741 | Wheel Kit Bracket |
| 19 | 967499 | Ratchet Jack |
| 20 | 901566 | Axle |
| 21 | F253 | Tire Mounted 6.70 |
| | F7110 | Wheel 15" x 4.5" x 4 Bolt |

| | | |
|----|---------|--------------------------------------|
| 22 | 81629 | 1/2" X 3 1/2" Hex Bolt (pl) |
| 23 | 812364 | 1/2" Lock Nut (pl) |
| 24 | 811702 | 5/8" X 1 1/4" Hex Bolt (pl) |
| 25 | 84299 | 5/8" x 2" Hex Bolt (pl) |
| 26 | 965807 | Pin Top Link CAT.1 |
| 27 | 811790 | 3/4" x 4 1/2" Hex Bolt GR 5 (pl) |
| 28 | 812365 | 3/4" Lock Nut (steel) NC GRB (pl) |
| 29 | 965911 | 7/16" Linch Pin |
| 30 | 84268 | 5/8" x 1 1/2" Hex Bolt (pl) |
| 31 | 81677 | 5/8" Lockwasher (pl) |
| 32 | 900431 | 100 Series King Pin Clamp |
| | 900432 | 150 Series King Pin Clamp |
| 33 | 81684 | 3/4" x 2 1/4" Hex Bolts (pl) |
| 34 | 81700 | 3/4" Hex Nut (pl) |
| 35 | 81701 | 3/4" Lockwasher (pl) |
| 36 | 967162 | 5/16" X 3" Cotter Pin (pl) |
| 37 | 901552 | Swivel Pin |
| 38 | 967524 | 1/2" X 1 1/2" Plow Bolts (pl) |
| 39 | 81637 | 1/2" Lockwasher (pl) |
| 40 | 81636 | 1/2" Hex Nut (pl) |
| 41 | 812435 | 1/4" X 1 3/4" Cotter Pin (pl) |
| 42 | 967135 | 1 1/2" x 10GA Narrow Rim Washer (pl) |
| 43 | 968404 | 1/2" X 1 1/4" Wheel Bolt (pl) |
| 44 | 114905 | 144" Hydraulic Hose |
| 45 | 114906 | 120" Hydraulic Hose |
| 46 | 967164 | Pound-in Grease Nipple |
| 47 | 961891 | Oil Seal ctd (se11) |
| 48 | 967712 | Outer Bearing Cone (Im67048) |
| 49 | 968405 | Bearing Cup (Im11910) |
| 50 | 105173 | 4-Bolt hub (411) w/ cups ctd |
| 51 | 967711 | Outer Bearing Cup (Im67010) |
| 52 | 968406 | Outer Bearing Cone (Im11949) |
| 53 | 84050 | 3/4" Washer sae (pl) |
| 54 | 81834 | 3/4" Slotted Hex Nut (br) |
| 55 | 967436 | 1/8" x 1 1/4" Cotter Pin (pl) |
| 56 | 968409 | Dust Cap (dc12) |
| 57 | 103753 | 1" x 4" Cylinder Clevis Pin |
| 58 | 12779 | #9 Hair Pin Clip |
| 59 | 84277 | 1/2" x 1 1/2" Hex Bolt GR5 (pl) |
| 60 | 966314 | Hyd Hose Holder (10 3/4") |
| 61 | 902407 | Skid Plate Weld't - Option |
| 62 | 900712 | Skid Pin 5/8" X 3" |
| 63 | 9812430 | Cotter Pin 1/8" X 1" (pl) |
| 64 | 81638 | 1/2" Flat Washer (pl) |

| | | |
|----|--------|---|
| 65 | 901578 | Manual Tilt Sleeve Outer Tube 12 3/4" lg (100 Series) |
| | 906037 | Manual Tilt Sleeve Outer Tube 12 3/4" lg (150 Series) |
| 66 | 901581 | Manual Tilt Sleeve Inner Tube 13" long |
| 67 | 901584 | Sleeve Pin 1" x 4 3/4" |
| 68 | 901579 | Manual Angle Sleeve Outer Tube 17 1/4" long |
| 69 | 901582 | Manual Angle Sleeve Inner Tube 17 3/4" long |
| 70 | 901580 | Manual Offset Sleeve Outer Tube 21" long |
| 71 | 901583 | Manual Offset Sleeve Inner Tube 20" long |
| 72 | 84583 | Grease Fitting 1/8" NPT STR |
| 73 | 905392 | Elbow 3/4 MORB X 3/4 FORB |

3.5 x 8 CYLINDER ASSEMBLY

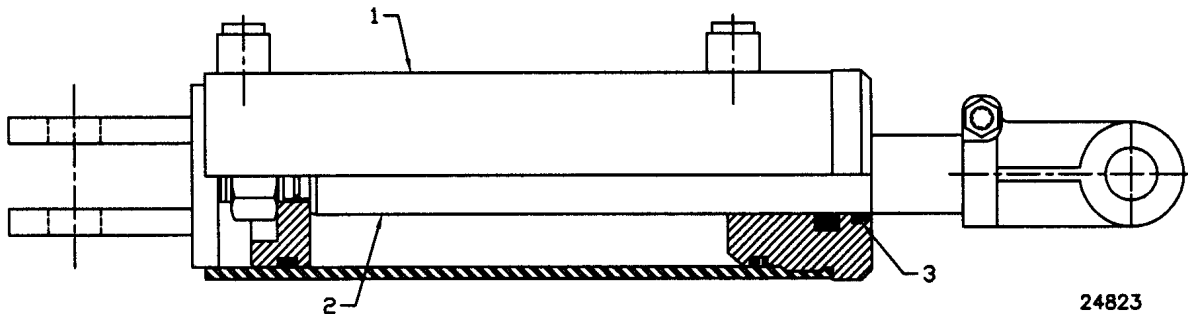
| Item # | Part # | Description |
|--------|--------|--------------------|
| | 24803 | Cyl Complete |
| 1 | 24804 | Tube Weldt |
| 2 | 113934 | Piston Rod 1.5 Dia |
| 3 | X2098 | Seal Kit |



24803

3.5 x 12 CYLINDER ASSEMBLY

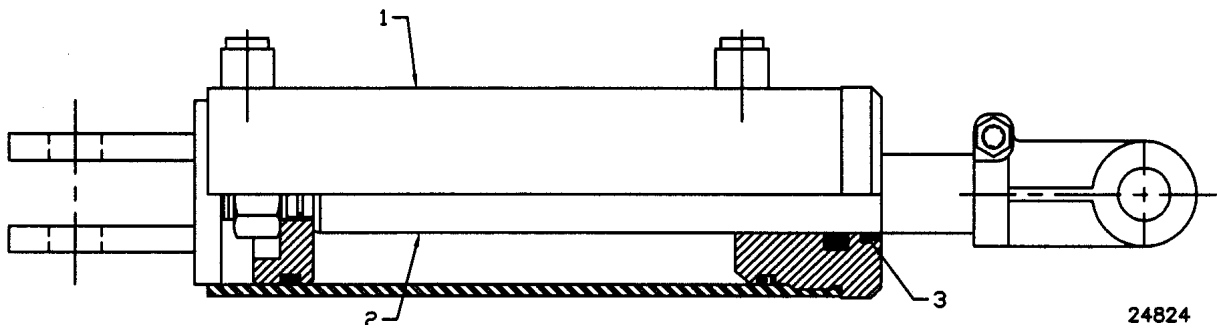
| Item # | Part # | Description |
|--------|--------|--------------------|
| | 24823 | Cyl Complete |
| 1 | 24825 | Tube Weldt |
| 2 | 113935 | Piston Rod 1.5 Dia |
| 3 | X2098 | Seal Kit |



24823

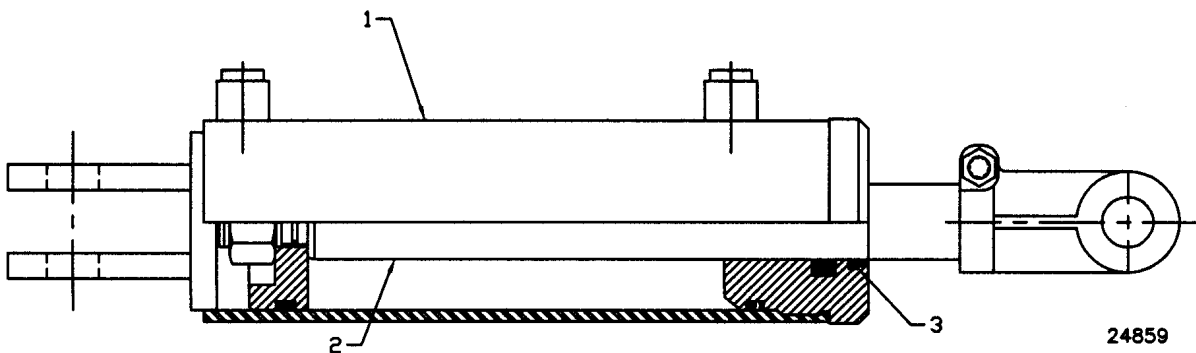
4 x 18 CYLINDER ASSEMBLY

| Item # | Part # | Description |
|--------|--------|--------------------|
| | 24824 | Cylinder Complete |
| 1 | 24826 | Tube Weldment |
| 2 | 113936 | Piston Rod 1.5 Dia |
| 3 | X2235 | Seal Kit |



5 x 16 CYLINDER ASSEMBLY

| Item # | Part # | Description |
|--------|--------|--------------------|
| | 24859 | Cylinder Complete |
| 1 | 24860 | Tube Weldment |
| 2 | 113938 | Piston Rod 2.0 Dia |
| 3 | X2236 | Seal Kit |



**100 SERIES REAR BLADE
BUNDLE NUMBERS****QUANTITY BUNDLE NO. DESCRIPTION****8' REAR BLADE c/w cylinders and hoses: C8100**

| | | |
|---|-------|-------------------------------|
| 1 | F6696 | Crate of Parts with cylinders |
| 1 | F6699 | 8' Bundle |

8' REAR BLADE less cylinders: C8102

| | | |
|---|-------|----------------|
| 1 | F6699 | 8' Bundle |
| 1 | F6708 | Crate of Parts |

9' REAR BLADE c/w cylinders and hoses: C9100

| | | |
|---|-------|-------------------------------|
| 1 | F6696 | Crate of Parts with cylinders |
| 1 | F6700 | 9' Bundle |

9' REAR BLADE less cylinders: C9102

| | | |
|---|-------|----------------|
| 1 | F6700 | 9' Bundle |
| 1 | F6708 | Crate of Parts |

OPTIONS:

| | |
|-------|-------------------------------------|
| C9151 | Dual Gauge Wheel w/Tires |
| F6707 | Skid Shoe Set |
| F6582 | Mechanical Link – Tilt |
| F6692 | Hydraulic Cylinder & Hoses – Tilt |
| F6583 | Mechanical Link – Angle |
| F6693 | Hydraulic Cylinder & Hoses – Angle |
| F6584 | Mechanical Link – Offset |
| F6694 | Hydraulic Cylinder & Hoses - Offset |

**150 SERIES REAR BLADE
BUNDLE NUMBERS**

QUANTITY BUNDLE NO. DESCRIPTION

8' REAR BLADE c/w cylinders and hoses: C8150

| | | |
|---|-------|-------------------------------|
| 1 | F6697 | Crate of Parts with cylinders |
| 1 | F6701 | 8' Bundle |

8' REAR BLADE less cylinders: C8152

| | | |
|---|-------|----------------|
| 1 | F6701 | 8' Bundle |
| 1 | F6709 | Crate of Parts |

9' REAR BLADE c/w cylinders and hoses: C9150

| | | |
|---|-------|-------------------------------|
| 1 | F6697 | Crate of Parts with cylinders |
| 1 | F6702 | 9' Bundle |

9' REAR BLADE less cylinders and hoses: C9152

| | | |
|---|-------|----------------|
| 1 | F6702 | 9' Bundle |
| 1 | F6709 | Crate of Parts |

10' REAR BLADE c/w cylinders and hoses: C10150

| | | |
|---|-------|-------------------------------|
| 1 | F6697 | Crate of Parts with cylinders |
| 1 | F6703 | 10' Bundle |

10' REAR BLADE less cylinders and hoses: C10152

| | | |
|---|-------|----------------|
| 1 | F6703 | 10' Bundle |
| 1 | F6709 | Crate of Parts |

OPTIONS:

| | |
|-------|-------------------------------------|
| C9151 | Dual Gauge Wheel w/Tires |
| F6707 | Skid Shoe Set |
| F6582 | Mechanical Link – Tilt |
| F6692 | Hydraulic Cylinder & Hoses – Tilt |
| F6583 | Mechanical Link – Angle |
| F6693 | Hydraulic Cylinder & Hoses – Angle |
| F6584 | Mechanical Link – Offset |
| F6695 | Hydraulic Cylinder & Hoses – Offset |