

TABLE OF CONTENTS

DESCRIPTION	PAGE NUMBER
Warranty	1
Rear Blade Drawing	2
30 Series Rear Blade Parts List	3
Bundle Numbers	4

WARRANTY POLICY

Buhler Manufacturing products are warranted for a period of twelve (12) months (90 days for commercial application) from original date of purchase, by original purchaser, to be free from defects in material and workmanship under correct, normal agricultural use and proper applications.

Buhler Manufacturing's obligations under this warranty shall be limited to the repair or exchange, at Buhler Manufacturing's option, of any Buhler Manufacturing product or part which proves to be defective as provided. Buhler Manufacturing reserves the right to either inspect the product at the buyer's location or have it returned to the factory for inspection.

The above warranty does not extend to goods damaged or subject to accident, abuse or misuse after shipment from Buhler Manufacturing's factory, nor to goods altered or repaired by anyone other than an authorized Buhler Manufacturing representative.

Buhler Manufacturing makes no Express Warranties other than those, which are specifically described. Any description of goods, including any references and specifications in catalogues, circulars and other written material published, is for the sole purpose of identifying goods and shall conform to such descriptions. Any sample or model is for illustrative purposes only and does not create an Express Warranty that the goods conform to sample or model shown.

The purchaser is solely responsible for determining suitability of goods sold. This warranty is expressly in lieu of all other warranties expressed or implied. Buhler Manufacturing will in no event be liable for any incidental or consequential damages whatsoever. Nor for any sum in excess of the price received for the goods for which liability is claimed.

WARRANTY CLAIMS:

Warranty requests must be prepared on Buhler Manufacturing Warranty Claim Forms with all requested information properly completed. Warranty Claims must be submitted within a thirty (30) day period from date of failure repair.

WARRANTY LABOR:

Any labor subject to warranty **must** be authorized by Buhler Manufacturing. The labor rate for replacing defective parts, where applicable, will be credited at 100% of the dealer's posted shop rate. Defective parts will receive an extra 10% discount to assist with freight or other incidental costs.

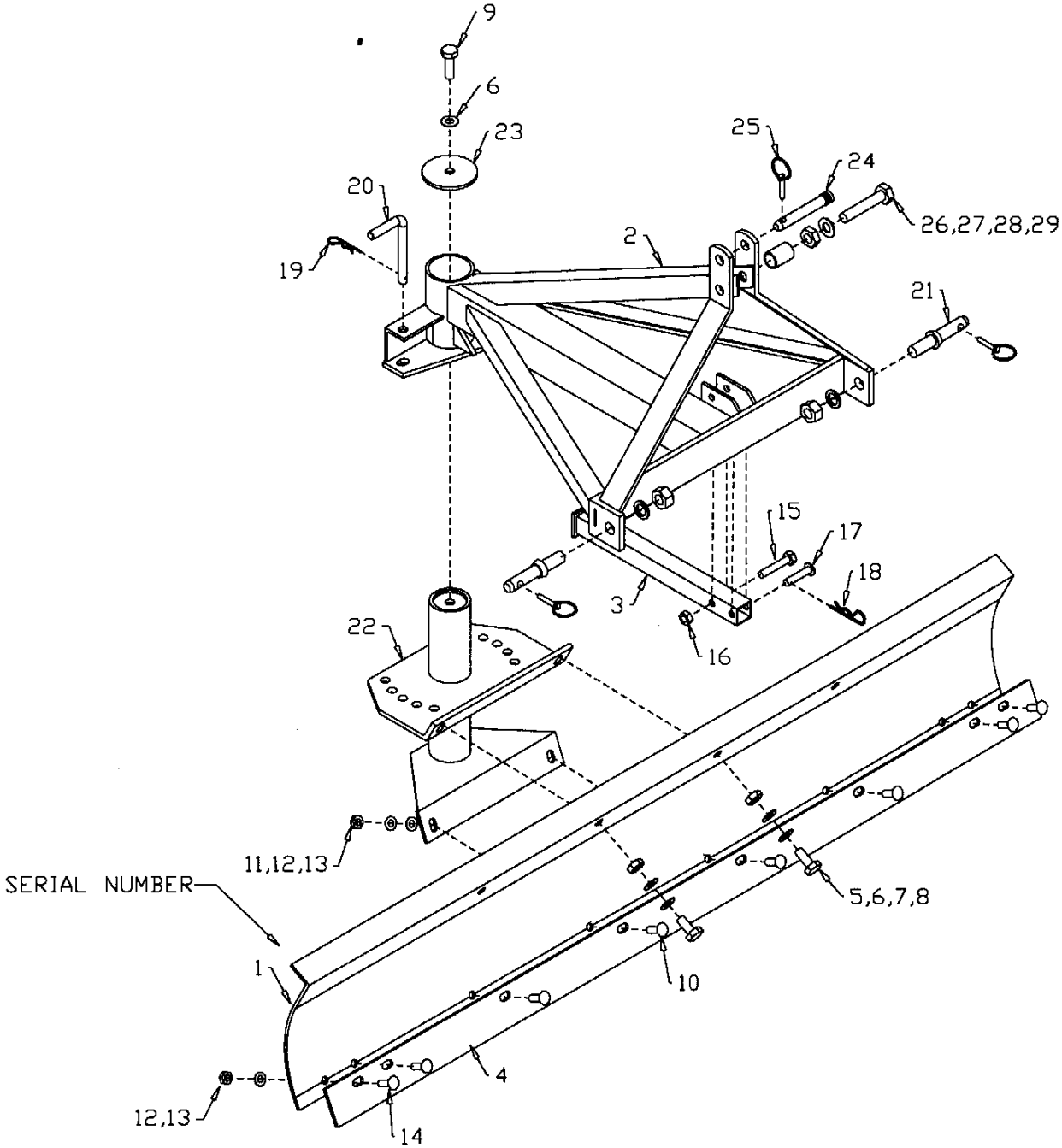
GOVERNMENT LEGISLATION:

Warranty terms and conditions are subject to Provincial or State legislation.

IMPORTANT FACTS:

Buckets and Bucket Tines Carry No Warranty
Bent Spears Carry No Warranty
Snowblower Fan Shafts Carry No Warranty
Mower Blades Carry No Warranty
Portable Auger Parts Have Two (2) Year Warranty
Loader Parts Have Two (2) Year Warranty

IMPORTANT NOTE: This warranty does not apply to rentals



RB-01

WHEN ORDERING PARTS

Always give your dealer the Model, Color and Serial Number of your machine to assist him in ordering and obtaining the correct parts. Use the exploded view and tabular listing of the area of interest to exactly identify the required part.

30 SERIES REAR BLADE

ITEM	PART #	DESCRIPTION
1	31139	72" Blade
	23266	60" Blade
2	31141	Hitch Weld't
3	901411	Stand Weld't
4	108446	72" Cutting Edge
	108573	60" Cutting Edge
5	84268	5/8" X 1 1/2" Hex Bolt (pl)
6	81677	5/8" Lock Washer (pl)
7	812639	5/8" SAE Flat Washer (pl)
8	81676	5/8" Hex Nut (pl)
9	84299	5/8" X 2" Hex Bolt (pl)
10	812217	1/2" X 1 1/2" Carr. Bolt (pl)
11	81638	1/2" Flat Washer (pl)
12	81637	1/2" Lock Washer (pl)
13	81636	1/2" Hex Nut (pl)
14	9812288	1/2" X 1 1/4" Carr. Bolt (pl)
15	81626	1/2" X 2 3/4" Hex Bolt (pl)
16	812364	1/2" Lock Nut (pl)
17	901435	1/2" X 2 1/2" Clevis Pin (pl)
18	961012	#16 Hair Pin Clip (pl)
19	12779	#9 Hair Pin Clip
20	9108493	Locking Handle 5/8" X 7 7/8"LG
21	965809	Lift Arm Pin Cat C/W Washer & Nut
22	23253	Hitch Mount Weld't
23	105278	Washer 1/4" x 4" O.D. x 11/16" I.D.
24	965807	Pin Top Link Cat.1
25	965911	Linch Pin 7/16"
26	84336	3/4" x 4" Hex Bolt (pl)
27	81701	3/4" Lock Washer (pl)
28	81700	3/4" Hex Bolt (pl)
29	906861	1" ID Hitch Spacer x 1 5/8" Lg

BUNDLE NUMBERS

QUANTITY BUNDLE NO. DESCRIPTION

5' REAR BLADE: C8315

1	X8316	Hitch Bundle
1	23265	Blade Assy

6' REAR BLADE: C8317

1	X8316	Hitch Bundle
1	31140	Blade Assy