

WARRANTY POLICY

Buhler Manufacturing products are warranted for a period of twelve (12) months from original date of purchase, by original purchaser, to be free from defects in material and workmanship under correct, normal agricultural use and proper applications.

Buhler Manufacturing's obligations under this warranty shall be limited to the repair or exchange, at Buhler Manufacturing's option, of any Buhler Manufacturing product or part which proves to be defective as provided. Buhler Manufacturing reserves the right to either inspect the product at the buyer's location or have it returned to the factory for inspection.

The above warranty does not extend to goods damaged or subject to accident, abuse or misuse after shipment from Buhler Manufacturing's factory, nor to goods altered or repaired by anyone other than an authorized Buhler Manufacturing representative.

Buhler Manufacturing makes no Express Warranties other than those, which are specifically described. Any description of goods, including any references and specifications in catalogues, circulars and other written material published, is for the sole purpose of identifying goods and shall conform to such descriptions. Any sample or model is for illustrative purposes only and does not create an Express Warranty that the goods conform to sample or model shown.

The purchaser is solely responsible for determining suitability of goods sold. This warranty is expressly in lieu of all other warranties expressed or implied. Buhler Manufacturing will in no event be liable for any incidental or consequential damages whatsoever. Nor for any sum in excess of the price received for the goods for which liability is claimed.

WARRANTY CLAIMS:

Warranty requests must be prepared on Buhler Manufacturing Warranty Claim Forms with all requested information properly completed. Warranty Claims must be submitted within a thirty (30) day period from date of failure repair.

WARRANTY LABOR:

Any labor subject to warranty **must** be authorized by Buhler Manufacturing. The labor rate for replacing defective parts, where applicable, will be credited at a rate determined by the Company, Buhler Manufacturing.

IMPORTANT FACTS:

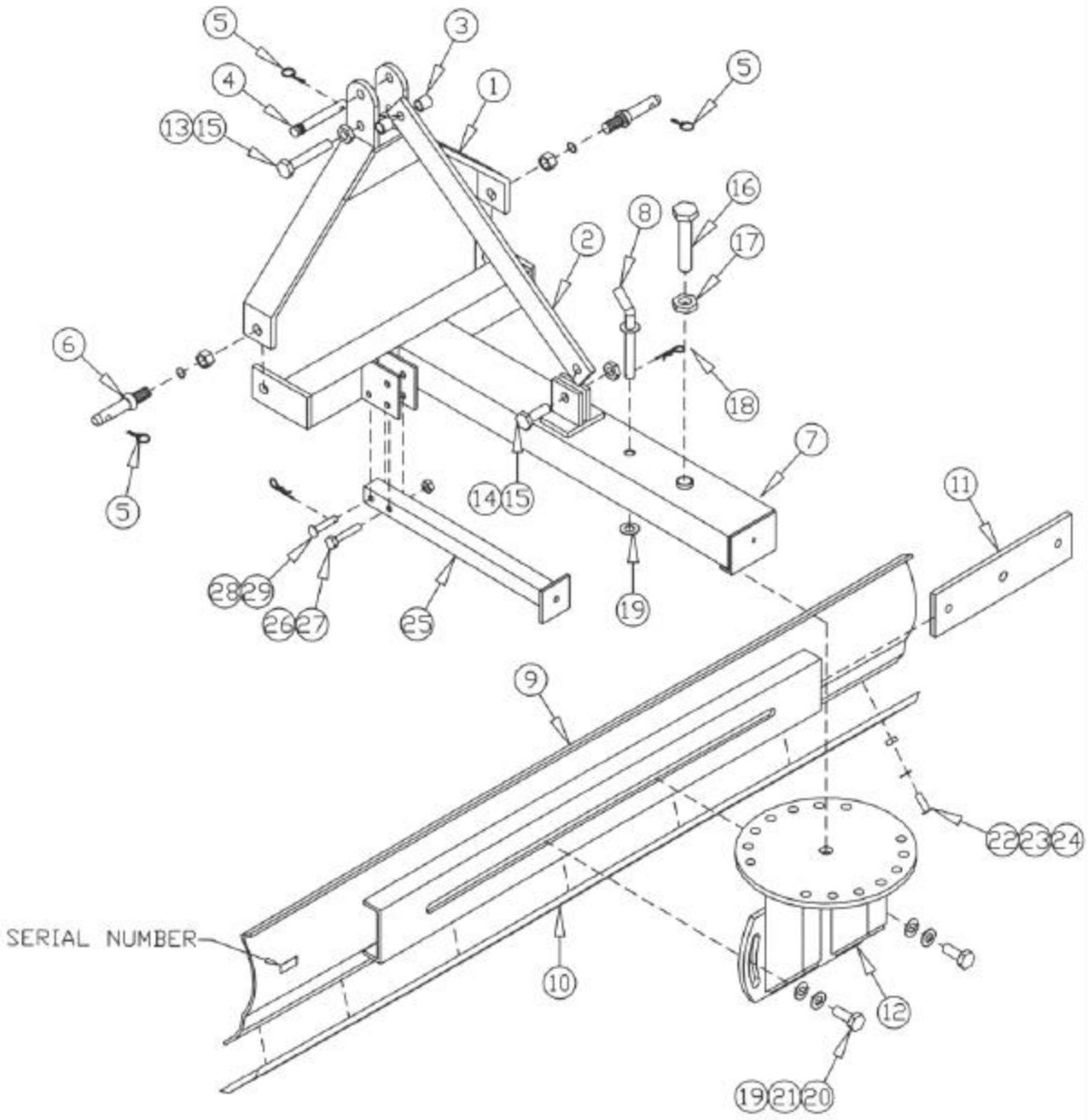
Buckets and Bucket Tines Carry No Warranty

Bent Spears Carry No Warranty

Snowblower Fan Shafts Carry No Warranty

Mower Blades Carry No Warranty

Portable Auger Parts Have Two (2) Year Warranty



RB-01

WHEN ORDERING PARTS

Always give your dealer the Model and Serial Number of your machine to assist him in ordering and obtaining the correct parts. Use the exploded view and tabular listing of the area of interest to exactly identify the required part.

45 SERIES REAR BLADE

ITEM	PART #	DESCRIPTION
1	F6503	Hitch Weld't
2	967532	Hitch Brace (26" L.)
3	967533	Spacer 1" O.D. x 1" L
4	965807	Top Link Pin (Cat.1)
5	965911	Linch Pin (7/16")
6	965809	Lift Arm Pin W/ Nut & Washer (Cat.1)
7	967534	T-Frame Weld't
8	967535	Turntable Pin
9	967536	60" Blade Weld't
	967537	72" Blade Weld't
	967538	84" Blade Weld't
10	967520	60" Cutting Edge
	967521	72" Cutting Edge
	967522	84" Cutting Edge
11	967542	Adjustment Plate (15"L)
12	967543	Turntable Weld't
13	811790	3/4" X 4 1/2" Hex Bolt (pl)
14	81684	3/4" X 2 1/4" Hex Bolt (pl)
15	812365	3/4" Lock Nut (pl)
16	967527	1" X 5" Hex Bolt (pl)
17	967148	1" Lock Nut (pl)
18	12779	#9 Hair Pin Clip (pl)
19	84050	3/4" S.A.E. Flat Washer (pl)
20	84467	3/4" X 2" Hex Bolt (pl)
21	81701	3/4" Lock Washer (pl)
22	967524	1/2" X 1 1/2" Plow Bolt (pl)
23	81637	1/2" Lock Washer (pl)
24	81636	1/2" Hex Nut (pl)
25	902277	Stand Weld't
26	81626	1/2" X 2 3/4" Hex Bolt (pl)
27	812364	1/2" Lock Nut (pl)
28	901435	1/2" X 2 1/2" Clevis Pin (pl)
29	961012	#16 Hair Pin Clip (pl)

BUNDLE NUMBERS

QUANTITY	BUNDLE NO.	DESCRIPTION
60" REAR BLADE: C60SS		
1	F6503	Hitch Weldment
1	F6504	T-Frame Bundle
1	F6505	Blade Assembly
1	F6539	Turntable
72" REAR BLADE: C72SS		
1	F6503	Hitch Weldment
1	F6504	T-Frame Bundle
1	F6506	Blade Assembly
1	F6539	Turntable
84" REAR BLADE: C84SS		
1	F6503	Hitch Weldment
1	F6504	T-Frame Bundle
1	F6507	Blade Assembly
1	F6539	Turntable