

TABLE OF CONTENTS

DESCRIPTION	PAGE NUMBER
Warranty	1
Assembly Instructions	2
80 Series Rear Blade Drawings	3
80 Series Rear Blade Parts List	5
Cylinder Drawings & Parts Lists	7
Bundle Numbers	9

WARRANTY POLICY

Buhler Manufacturing products are warranted for a period of twelve (12) months (90 days for commercial application) from original date of purchase, by original purchaser, to be free from defects in material and workmanship under correct, normal agricultural use and proper applications.

Buhler Manufacturing's obligations under this warranty shall be limited to the repair or exchange, at Buhler Manufacturing's option, of any Buhler Manufacturing product or part which proves to be defective as provided. Buhler Manufacturing reserves the right to either inspect the product at the buyer's location or have it returned to the factory for inspection.

The above warranty does not extend to goods damaged or subject to accident, abuse or misuse after shipment from Buhler Manufacturing's factory, nor to goods altered or repaired by anyone other than an authorized Buhler Manufacturing representative.

Buhler Manufacturing makes no Express Warranties other than those, which are specifically described. Any description of goods, including any references and specifications in catalogues, circulars and other written material published, is for the sole purpose of identifying goods and shall conform to such descriptions. Any sample or model is for illustrative purposes only and does not create an Express Warranty that the goods conform to sample or model shown.

The purchaser is solely responsible for determining suitability of goods sold. This warranty is expressly in lieu of all other warranties expressed or implied. Buhler Manufacturing will in no event be liable for any incidental or consequential damages whatsoever. Nor for any sum in excess of the price received for the goods for which liability is claimed.

WARRANTY CLAIMS:

Warranty requests must be prepared on Buhler Manufacturing Warranty Claim Forms with all requested information properly completed. Warranty Claims must be submitted within a thirty (30) day period from date of failure repair.

WARRANTY LABOR:

Any labor subject to warranty **must** be authorized by Buhler Manufacturing. The labor rate for replacing defective parts, where applicable, will be credited at 100% of the dealer's posted shop rate. Defective parts will receive an extra 10% discount to assist with freight or other incidental costs.

GOVERNMENT LEGISLATION:

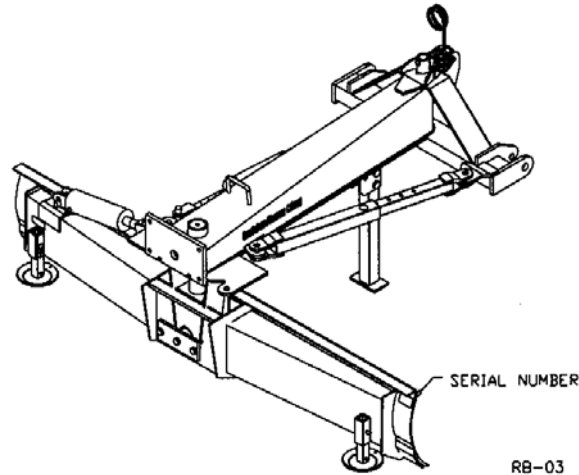
Warranty terms and conditions are subject to Provincial or State legislation.

IMPORTANT FACTS:

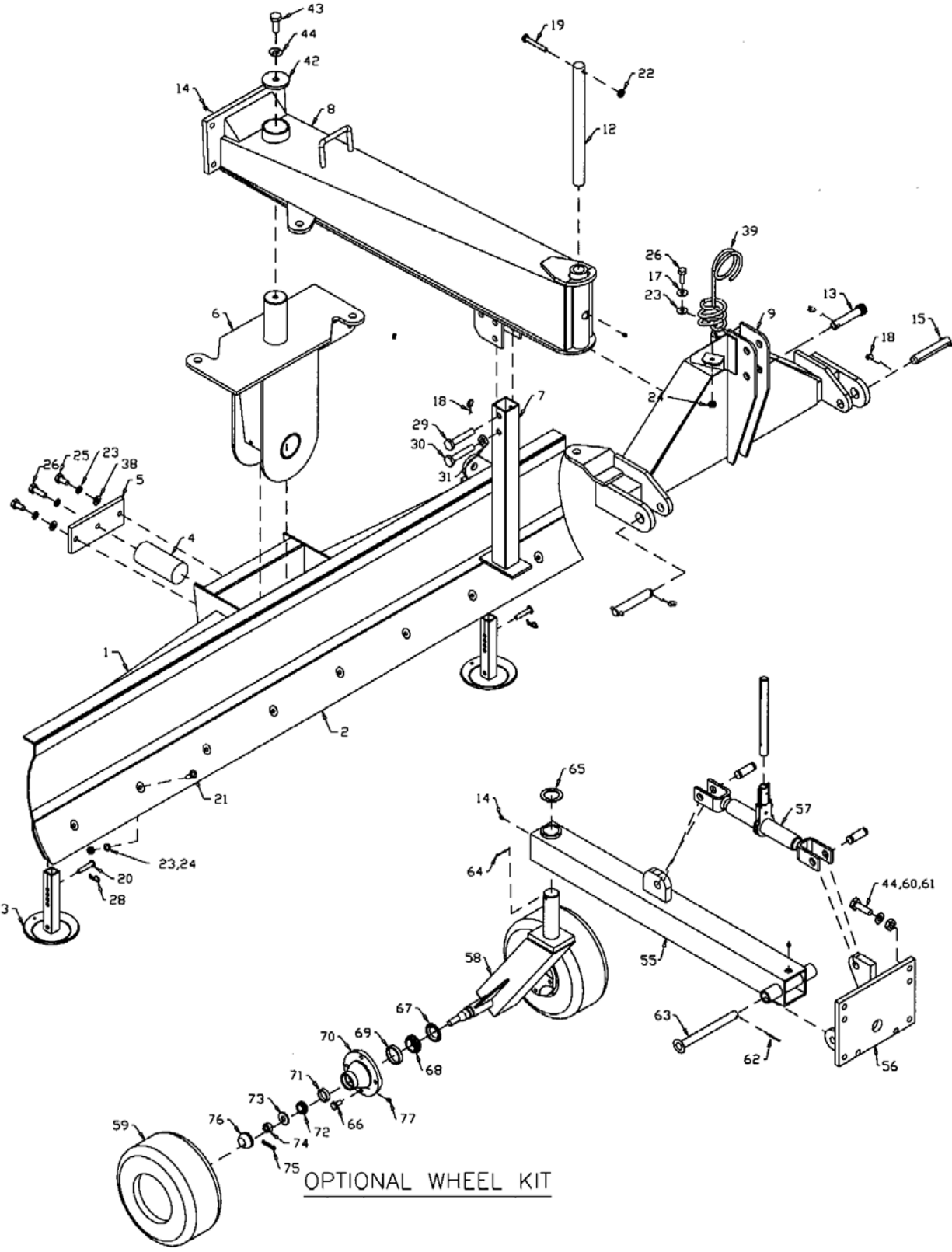
Buckets and Bucket Tines Carry No Warranty
Bent Spears Carry No Warranty
Snowblower Fan Shafts Carry No Warranty
Mower Blades Carry No Warranty
Portable Auger Parts Have Two (2) Year Warranty
Loader Parts Have Two (2) Year Warranty

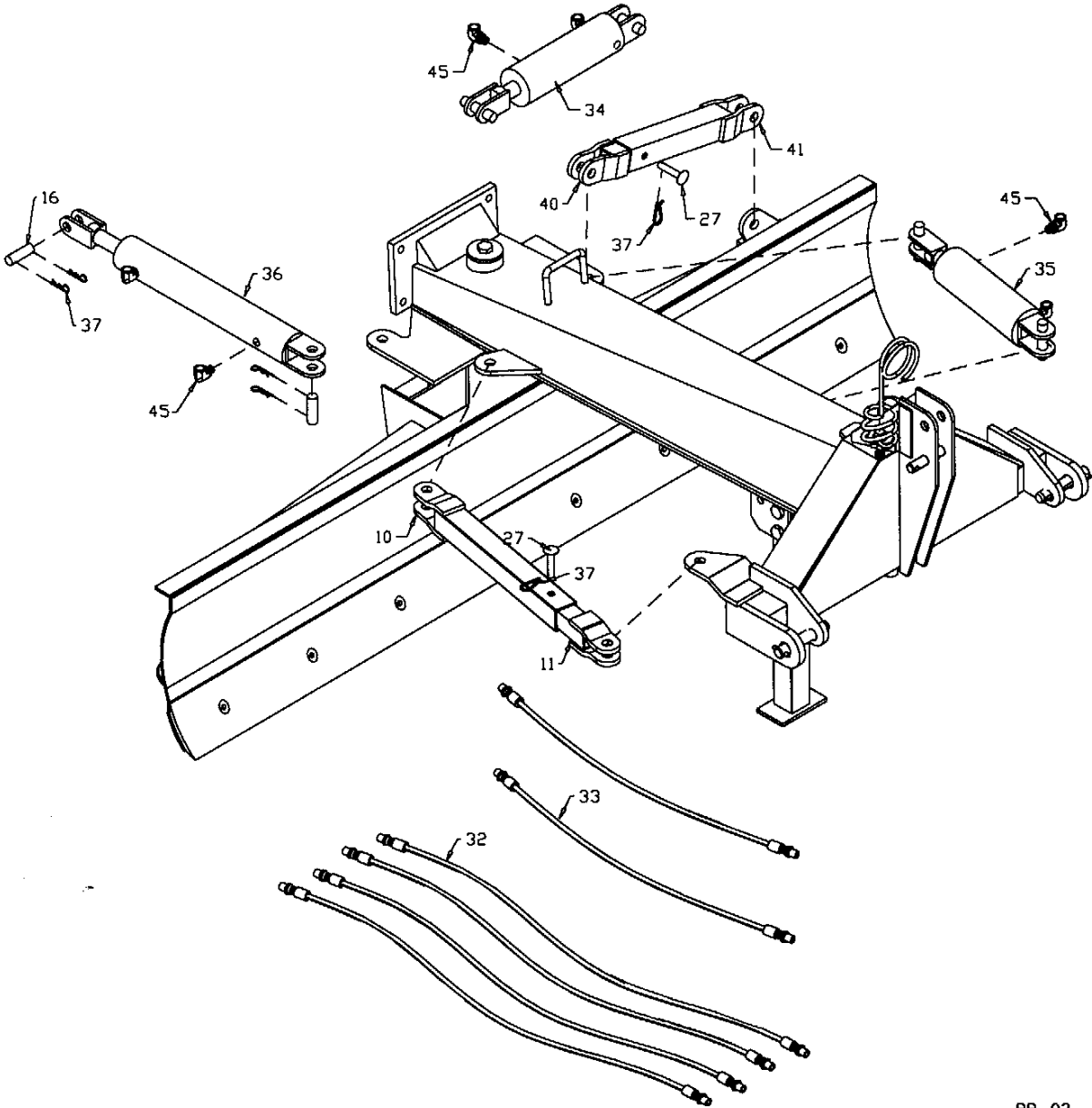
IMPORTANT NOTE: This warranty does not apply to rentals

80 SERIES BLADE ASSEMBLY INSTRUCTIONS



1. Remove the Blade Pin (#4) and the Clamp Plate (#5) from the blade assembly. Insert the King Pin Weldment (#6) into the blade assembly and assemble the Blade Pin and Clamp Plate using the hardware supplied.
2. Slide the Arm Weldment (#8) onto the King Pin Assembly. The Arm Weldment is held in place using a 3 ½" O.D. disk (#42) and a ¾" x 2" bolt and lock washer (#43 & #44).
3. Bolt the Stand (#7) to the Arm Weldment.
4. Remove the Arm Swivel Pin (#12) from the Hitch Weldment (#9). Slide the Hitch Weldment on to the Arm Weldment and connect using the Swivel Pin. The pin is held in place with a hex bolt and lock nut.
5. Connect the two mechanical links and hydraulic cylinder. Angle Cylinder (#35) is a 3" x 12" cylinder which controls the angle of the arm. Mechanical link (#40 & #41) controls the tilt of the blade. Mechanical link (#10 & #11) controls the offset of the blade. Optional cylinders (#34 & #36) are available for both mechanical links for the 150 series.
6. Attach hydraulic hoses to the hydraulic cylinder. Bolt the Hydraulic Hose Holder (#39) to the hitch.
7. Recheck and tighten all bolts. Grease the bushings at both ends of the Arm Weldment.
8. Optional Wheel Kit: Bolt the Wheel Kit Bracket (#56) at the end of the Wheel Kit Arm to the back of the blade using ¾" x 2 ¼" hex bolts, lock washers and hex nuts (#60, #61, & #44). Mount the wheel and tires to the Axle (#58). The shaft at the top of the axle fits through the bushing at the end of the arm and is held on by a washer (#65) and cotter pin (#64). Connect the Ratchet Jack (#57) to the Arm. The Ratchet Jack is used to control the cutting depth of the blade. Grease the bushings at both ends of the Wheel Kit Arm.





RB-02

WHEN ORDERING PARTS

Always give your dealer the Model, Color and Serial Number of your machine to assist him in ordering and obtaining the correct parts. Use the exploded view and tabular listing of the area of interest to exactly identify the required part.

80 SERIES REAR BLADE

ITEM	PART #	DESCRIPTION
1	902474	7' Blade
	902475	8' Blade
	902476	9' Blade
2	967522	7' Cutting Edge
	967523	8' Cutting Edge
	900457	9' Cutting Edge
3	902477	Skid Plate Weldment
4	902388	Blade Pin
5	902469	Clamp Plate
6	902459	King Pin Weldment
7	900417	Stand
8	906717	Arm Weldment
9	902443	Hitch Weldment
10	902482	Mechanical Link - Offset Outer Sleeve
11	902483	Mechanical Link - Offset Inner Sleeve
12	902454	Arm Swivel Pin
13	965910	Top Link Pin Category 2
14	967164	Tap-in Grease Nipple
15	965966	Lift Pin Category 2-3
16	103753	1"dia X 4" Cylinder Clevis Pin
17	81638	1/2" Flat Washer (pl)
18	965911	7/16" Linch Pin
19	967488	3/8" X 2 3/4" Hex Bolt (pl)
20	901435	1/2" X 2 1/2" Clevis Pin (pl)
21	967524	1/2" X 1 1/2" Plow Bolt
22	81592	3/8" Lock Nut (pl)
23	81637	1/2" Lockwasher (pl)
24	81636	1/2" Hex Nut (pl)
25	81619	1/2" X 1" Hex Bolt (pl)
26	84277	1/2" X 1 1/2" Hex Bolt (pl)
27	902486	5/8" X 3 1/8" Pin
28	961012	#16 Hair Pin Clip
29	965807	Category 1 Top Link Pin
30	811790	3/4" X 4 1/2" GR5 (pl) Hex Bolt
31	812365	3/4" Lock Nut GRB (pl)
32	114905	144" Hydraulic Hose (optional)

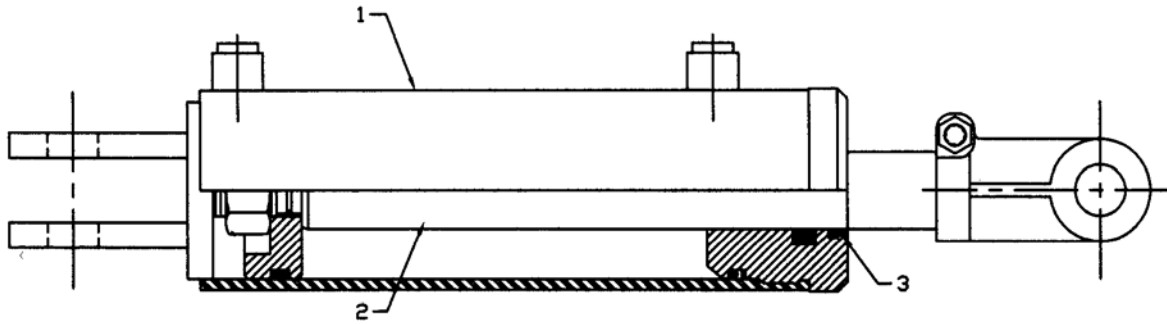
33	114906	120" Hydraulic Hose (angle)
34	24791	Tilt Cylinder 3" X 8" (optional)
35	24794	Angle Cylinder 3" X 12"
36	24797	Offset Cylinder 3 1/2" X 16" (optional)
37	12779	#9 Hair Pin Clip
38	84048	1/2" Flat Washer S.A.E. (pl)
39	966314	Hydraulic Hose Holder 10 3/4"
40	902707	Mechanical Link - Tilt Inner Sleeve
41	902706	Mechanical Link - Tilt Outer Sleeve
42	902785	3/8" X 3 1/2" o.d. Disk
43	84467	3/4" X 2" Hex Bolt (pl)
44	81701	3/4" Lock Washer (pl)
45	905392	Elbow 3/4 MORB X 3/4 FORB

Optional Wheel Kit

55	906733	Wheel Kit Arm
56	906729	Wheel Kit Bracket
57	967499	Ratchet Jack
58	906740	Axle
59	F253	Tire Mounted 6.70
	F7110	Wheel 15" X 4.5 X 4 Bolt
60	84346	3/4" X 2 1/2" Hex Bolt (pl)
61	81700	3/4" Hex Nut (pl)
62	967162	5/16" X 3" Cotter Pin (pl)
63	906735	Swivel Pin 1 1/4" x 10 3/8"
64	812435	1/4" X 1 3/4" Cotter Pin (pl)
65	967153	Narrow Rim Washer 2" X 10ga (pl)
66	968404	1/2" X 1 1/4" Wheel Bolt (pl)
67	961891	Oil Seal CTD (SE11)
68	967712	Outer Bearing Cone (LM67048)
69	968405	Bearing Cup (LM11910)
70	105173	4-Bolt Hub (411) w/Cup (LM67010)
71	967711	Outer Bearing Cup (LM67010)
72	968406	Outer Bearing Cone (LM11949)
73	9812416	Washer 3/4" SAE (br)
74	81834	3/4" Slotted Hex Nut (br)
75	981309	1/8" X 1 1/4" Cotter Pin
76	968409	Dust Cap (DC12)
77	84583	Grease Fitting 1/8" NPT STR

3 x 8 CYLINDER ASSEMBLY

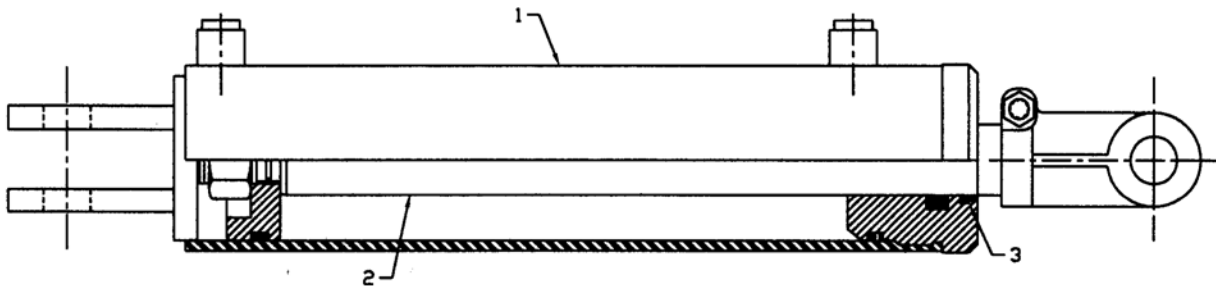
Item #	Part #	Description
	24791	Cylinder Complete
1	24827	Tube Weldment
2	113934	Piston Rod 1.5 Dia
3	X2415	Seal Kit



24791

3 x 12 CYLINDER ASSEMBLY

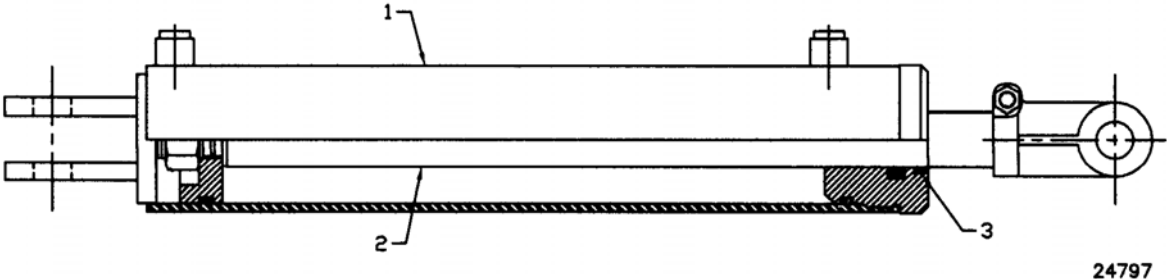
Item #	Part #	Description
	24794	Cylinder Complete
1	24828	Tube Weldment
2	113935	Piston Rod 1.5 Dia
3	X2415	Seal Kit



24794

3 1/2 X 16 CYLINDER ASSEMBLY

Item #	Part #	Description
	24797	Cylinder Complete
1	24829	Tube Weldment
2	114779	Piston Rod 1.5 Dia
3	X2098	Seal Kit



BUNDLE NUMBERS

QUANTITY BUNDLE NO. DESCRIPTION

7' REAR BLADE

c/w hydraulic angle adjust and mechanical tilt and offset adjust: C7080

1	F6698	Crate of Parts with cylinder
1	F0338	7' Bundle

7' REAR BLADE

c/w cylinders and hoses: C7081

1	F0329	Crate of Parts with all cylinders
1	F0338	7' Bundle

7' REAR BLADE

less cylinder and mechanical links: C7082

1	F6712	Crate of Parts
1	F0338	7' Bundle

8' REAR BLADE

c/w hydraulic angle adjust and mechanical tilt and offset adjust: C8080

1	F6698	Crate of Parts with cylinder
1	F0339	8' Bundle

8' REAR BLADE

c/w cylinders and hoses: C8081

1	F0329	Crate of Parts with all cylinders
1	F0339	8' Bundle

8' REAR BLADE

less cylinder and mechanical links: C8082

1	F6712	Crate of Parts
1	F0339	8' Bundle

9' REAR BLADE

c/w hydraulic angle adjust and mechanical tilt and offset adjust: C9080

1	F6698	Crate of Parts with cylinder
1	F0340	9' Bundle

9' REAR BLADE**c/w cylinders and hoses: C9081**

1	F0329	Crate of Parts with all cylinders
1	F0340	9' Bundle

9' REAR BLADE**less cylinder and mechanical links: C9082**

1	F6712	Crate of Parts
1	F0340	9' Bundle

OPTIONS:

C9151	Dual Gauge Wheel w/Tires
F6598	Skid Shoe Set
F6680	Mechanical Link – Tilt
F6683	Hydraulic Cylinder & Hoses – Tilt
F6718	Mechanical Link – Angle
F6684	Hydraulic Cylinder & Hoses – Angle
F6682	Mechanical Link – Offset
F6685	Hydraulic Cylinder & Hoses - Offset