

Farm King

OPERATOR AND PARTS MANUAL

Conventional Auger

Model 1066 & 1076

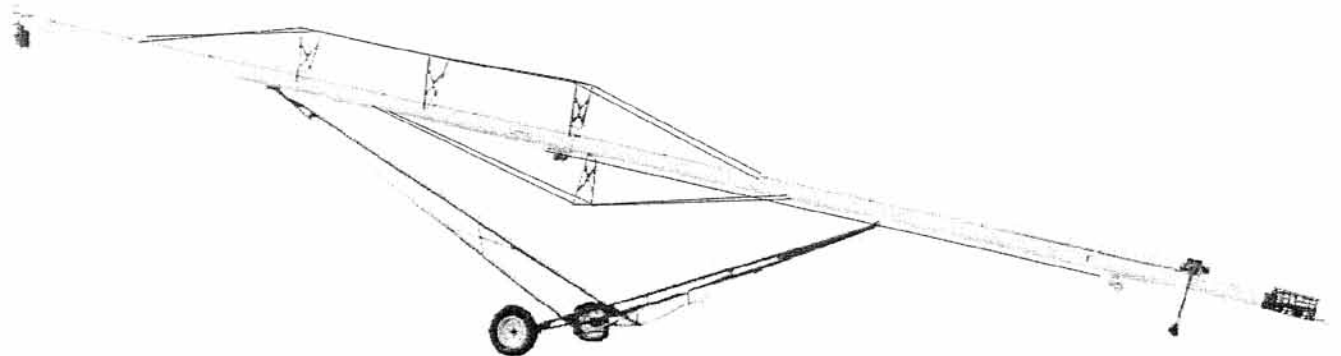


Table of Contents

Introduction	4
Safety.....	5
• Safety	5
• General Safety.....	5
• Operation Safety	5
• Transport Safety	6
• Electrical Safety.....	6
• Safe Operation Instructions	6
Assembly.....	8
• 4 and 6 Bolt Hub Assembly	10
• Head Drive Assembly	10
• Assembly Instructions	11
• Assembly Instructions - PTO Drive.....	15
Parts.....	16
• 1066 and 1076 Parts.....	16
• Decals.....	21
• PTO Drive.....	22
• 6005 Gear Box.....	23
Warranty	24

Manufacturer’s statement: for technical reasons Buhler Trading Inc. reserves the right to modify machinery design and specifications provided herein without any preliminary notice. Information provided herein is of descriptive nature. Performance quality may depend on grain type, grain moisture, auger elevation and other factors.

Introduction

To the owner

Thank you for purchasing a Farm King 1066 or 1076 Conventional Auger.

Farm King Conventional Augers have been designed to provide many years of profitable and dependable service. To assure maximum performance of your auger, it is mandatory that you thoroughly study the operator's manual and follow its recommendations. **PLEASE EXAMINE YOUR UNIT CLOSELY AND READ THE ASSEMBLY INSTRUCTIONS TO SEE THAT YOUR UNIT IS PROPERLY ASSEMBLED.** Proper operation and maintenance are essential for safety, to maintain performance, and to maximize the life of the auger. When ordering parts or inquiring about the auger, you must include the serial number which is located on the second upright of the lower truss support.

It is the owner's responsibility to:

Operate and maintain this auger in a safe manner and in accordance with all applicable local, state, and federal codes and/or laws.

Make sure each and every operator has read the operator's manual and thoroughly understands safe and correct operating procedures.

Make sure unauthorized people do not operate or are not in the vicinity of the auger while it is in operation.

Maintain the auger in accordance with the maintenance schedule in this manual. Furthermore, as additional technology becomes available, the owner is responsible for improving the safety and reliability of the system.

Fulfill all warranty obligations so as not to void the warranties. Verify the unit is warranty registered prior to making any warranty claims. The warranty section at the back of this manual outlines the warranty policy of Farm King.

Abuse or modifications to the auger that change the performance other than original factory specifications void the warranty.

Farm King reserves the right to make product improvements to the equipment at any time. It shall not be obligated to make such changes to machines already in service.

*The owner, manager and/or operator is responsible for safe, accurate operation and maintenance of the Farm King 1066 or 1076 Conventional Auger.

Safety

Safety Instructions

An Operator's Manual is furnished with each grain auger. Additional or replacement manuals are available. Do not operate the unit before reading and understanding the Operator's Manual. Understand the operating procedures below to avoid personal injury or death.

The alert symbol is used throughout this manual. It indicates attention is required and identifies hazards. Follow the recommended precautions.



The safety alert symbol means...
ATTENTION! BECOME ALERT! YOUR SAFETY IS INVOLVED!

General Safety

An auger can collapse and fall on the operator or bystander causing serious injury or death. Always support the discharge end when the following conditions occur:

- While unit is in operation.
- When dismantling the undercarriage.

The accidental tipping or upending of an auger may cause serious injury or death to the operator or bystanders. When the grain flow is shut off to the auger an overbalance situation can occur, suddenly raising the intake auger. Adequate anchorage of the intake end or support from bin is required at all times, especially in the following conditions:

- While unit is in operation.
- When moving the auger.
- When raising or lowering the auger.
- Maximum elevation is determined by interference between track car and auger structure. The operator must stop raising the auger before track car reaches the end of the track. Continued lift will cause failure of the winch, lift cable or auger supports, causing auger to collapse, which can result in serious injury or death.

Contact with rotating flighting will cause serious injury or death.

- Do not stand on the intake cage.
- Keep hands, feet and clothing away from the intake and discharge flighting.

Operation Safety

Intentional or accidental contact with moving parts may result in a serious injury or death. Observe the following operating procedures.

- Keep all safety devices in place.
- Do not adjust, service, lubricate, clean, unclog or move the mechanism until all power is shut off.
- Keep hands, feet and clothing away from moving parts while in operation.
- Keep off the equipment at all times.
- Make certain that everyone is clear of the equipment at all times.
- Make certain that everyone is clear of the equipment before applying power.
- Keep children, visitors and all untrained personnel away from machine while in operation

Transport Safety

Care must be used when moving or transporting the auger. Accidental tipping or upending of an auger can occur and may cause serious injury or death to the operator or bystanders.

- Never move the auger manually.
- Be sure auger is empty before attempting to move.
- Never push on the undercarriage of the auger.
- Tow the auger at slow speed and in the down position.
- Always test the intake end of the auger for downward weight when attaching or releasing.
- Never raise the hitchpoint higher than the vehicle's tow bar.

Electrical Safety

Contact with overhead wires may cause electrocution of the operator or bystanders. Contact with overhead obstructions may cause collapse or tipping of the auger or may cause the overhead obstruction to fall. In both cases the operator or bystander can be seriously injured or killed.

Observe the following:

- Tow the auger at slow speed and in the down position.
- Raise or lower the auger slowly.

Electrical malfunction can cause electrocution of the operator or bystanders.

Observe the following rules.

- Disconnect power and electrical driven units before resetting motor overloads.
- Do not operate electric motor equipped units until unit is properly grounded.

Safe Operating Instructions

There are several decals on the grain auger and its attachments with safety instructions.

Read and understand these safety alerts before operating.

The shielding has been removed in some of the illustrations for parts demonstration only.

Install all shields before operating the unit.



DANGER

Electrocution hazard. This machine is not insulated. Keep away from overhead electric wires and devices. Electrocution can occur without direct contact. Failure to keep away will result in serious injury or death.



DANGER

Maximum elevation is determined by interference between track car and auger structure. The operator must stop raising the auger before track car reaches the end of track. Continued lift will cause failure to the winch, lift cable or auger supports, causing auger to collapse, resulting in serious injury or death.

**DANGER**

Upending hazard. 1 - Never mover the auger manually - use a vehicle. 2 - Always have downward weight on the intake end of the auger. 3 - Always test the downward weight before releasing the auger from the vehicle or hold down. 4 - Always lift the intake slowly and keep it no higher than the tractor tow bar when attaching and releasing it. 5 - Never push on the undercarriage. 6 - Never move the auger, with grain, in the auger tube. 7 - Always lower the auger to transport postion before moving. Failure to follow these guidelines may cause upending, which may result in serious injury or death.

Shear bolt failure indicates an overload on the auger.

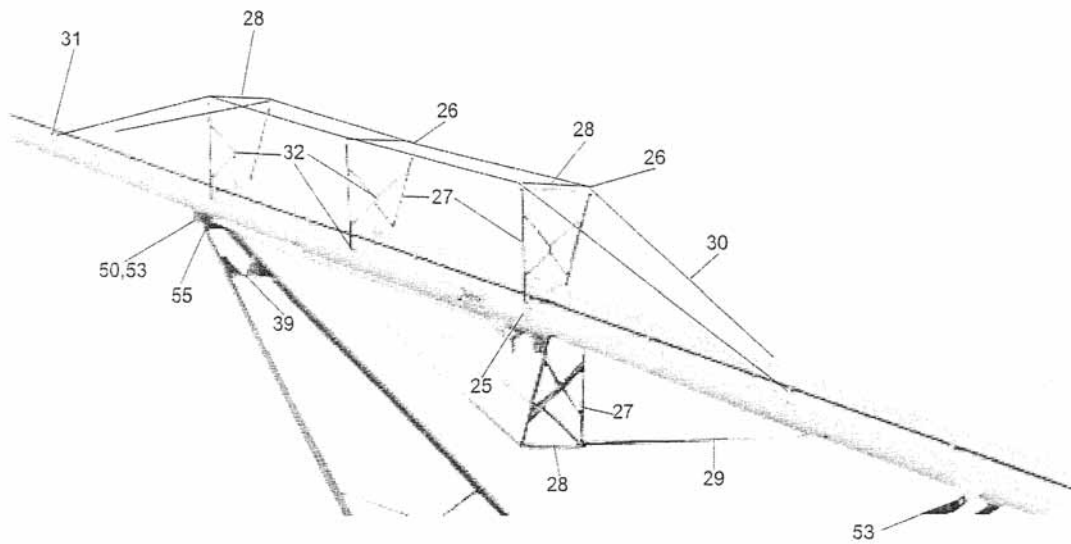
To remedy the problem:

1. Reduce flow into the intake of the auger. Wet grain requires more power to operate the auger. The flow must be reduced in wet grain to prevent plugging and/or shear bolt failure.
2. Make certain the auger is running at the correct speed. Run the tractor PTO at 540 RPM for the correct flighting speed. Slowing the auger will allow it to overload and plug.
3. Check for foreign objects (sacks, cans, rags, etc.) in the tube. Objects may go part way up the tube and wedge between the flights, blocking the grain flow.

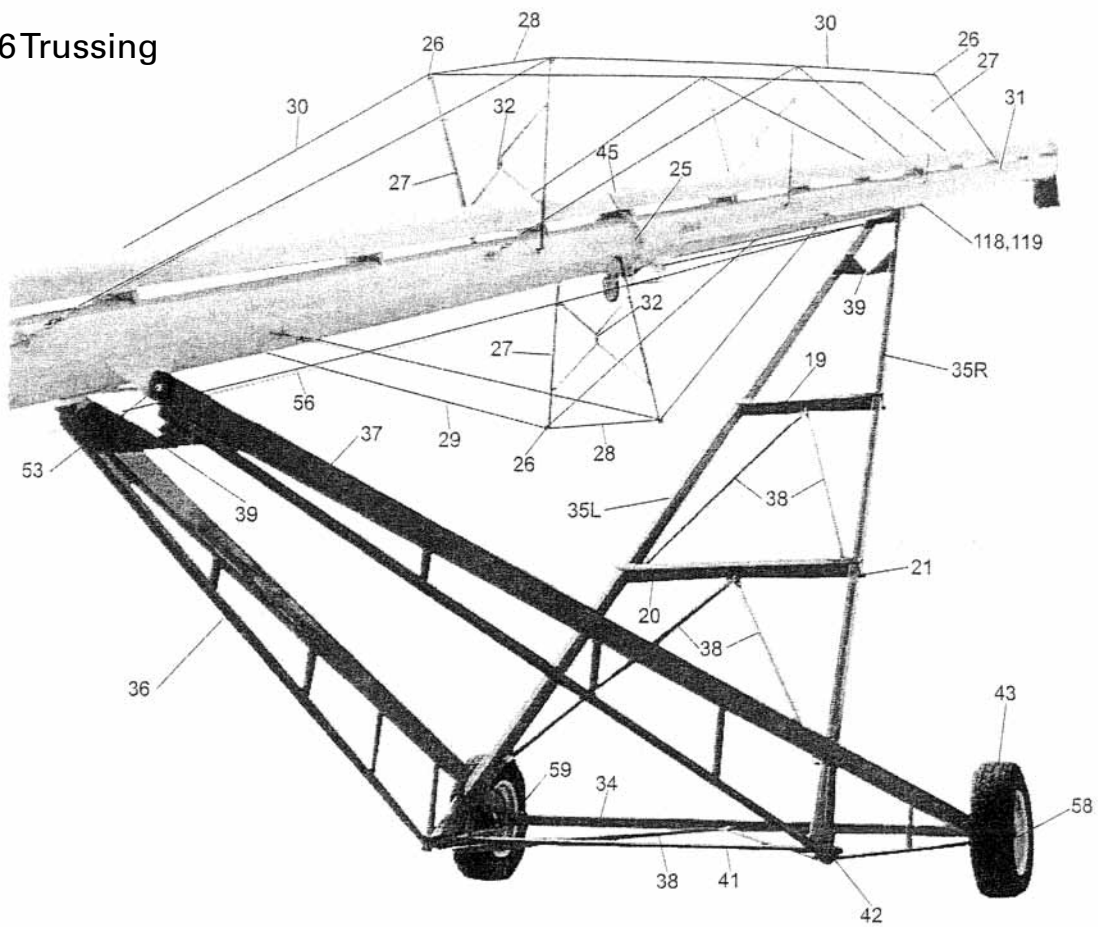
**ALERT**

Do not operate the auger empty during the break-in period. For the best results, do not full feed the intake for the first 500 bushels. After break-in, never run auger at slow idle when full feeding the auger.

1066 Trussing

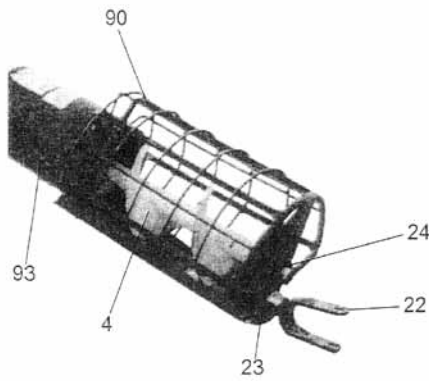
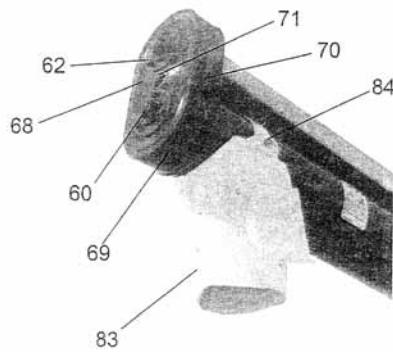
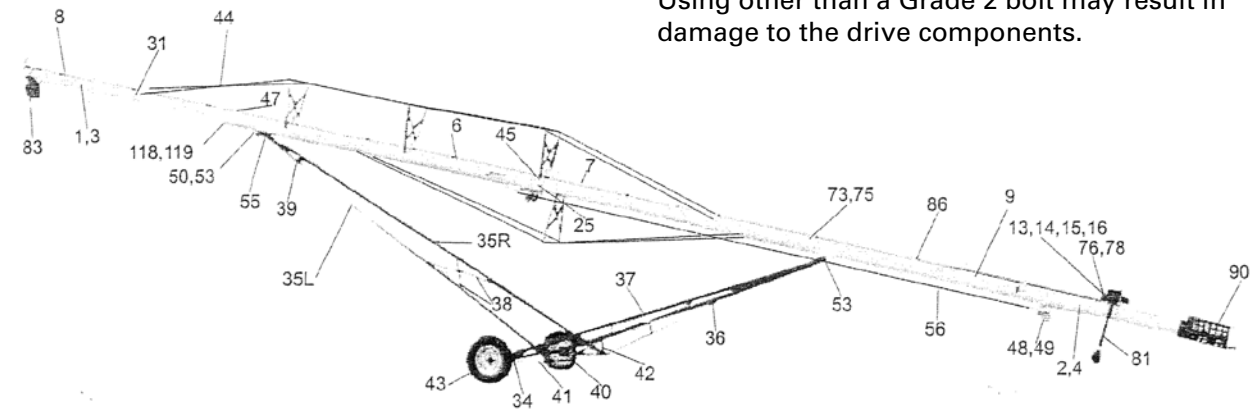


1076 Trussing

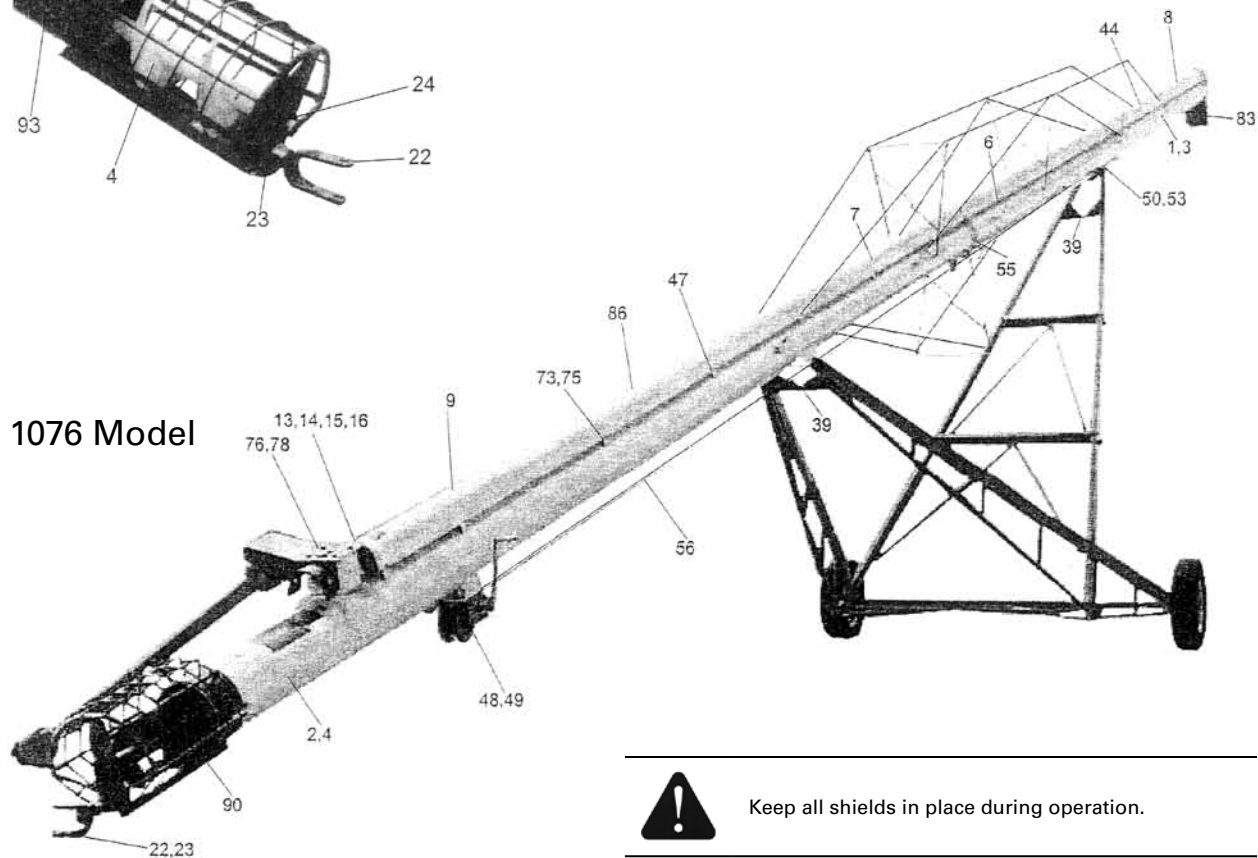


1066 Model

NOTE: Use a 3/8" x 1-1/4" Grade 2 shear bolt. Using other than a Grade 2 bolt may result in damage to the drive components.



1076 Model

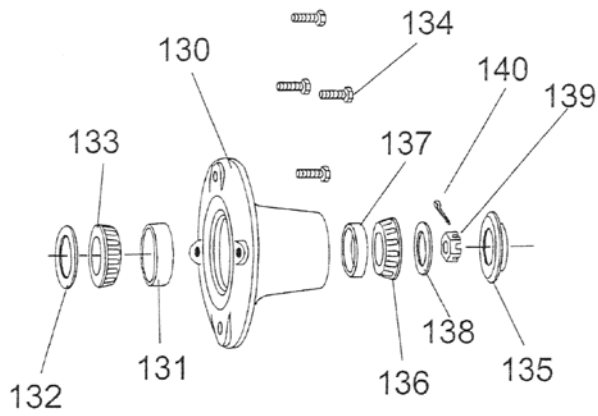


Keep all shields in place during operation.

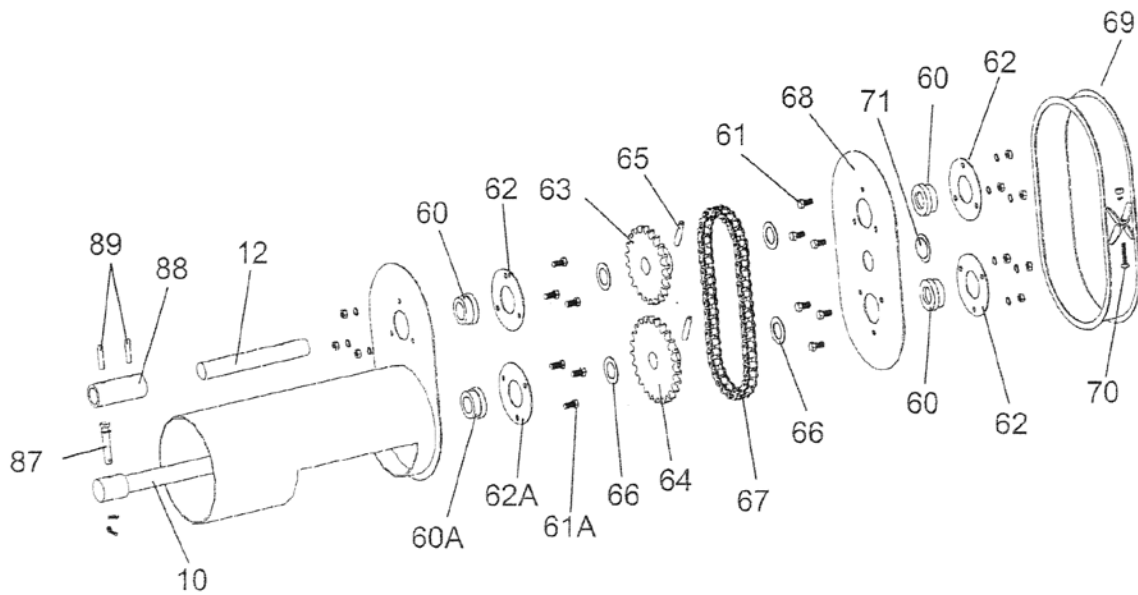


Keep all shields in place during operation.

4 and 6 Bolt Hub Assembly



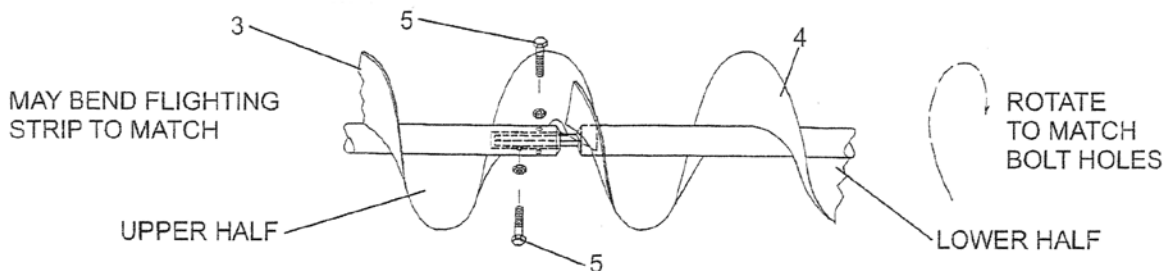
Head Drive Assembly



Assembly Instructions

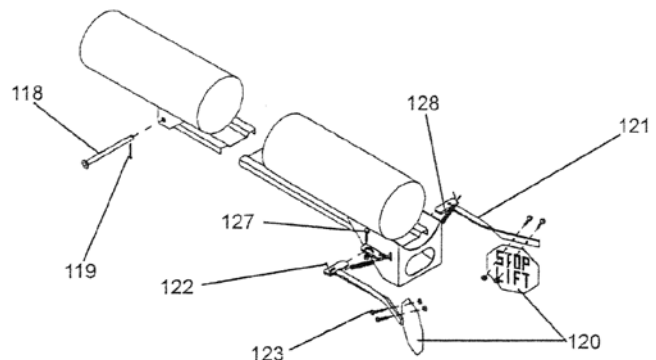
One must use extreme caution when assembling this auger. Lifting devices (i.e. loader tractor, forklift, etc.) are required as well as various wrenches and tools. Assemble the auger on a flat surface. Right, left, front and back refer to looking at the auger from the intake end.

1. Lay the top (Ref. #1) and bottom (Ref. #2) auger tubes flat with the center joint spaced two feet apart.
2. Fasten the flighting assemblies with two fine thread nuts and bolt combinations (Ref. #5). Fasten the flighting assemblies so that the lower assembly (Ref. #4) overlaps the upper assembly (Ref. #3). For the 1076 model, the upper and center assemblies are already connected, but the lower and center assemblies must be connected. Be sure that the lower assembly (Ref. #4) overlaps the center assembly (Ref. #4A).



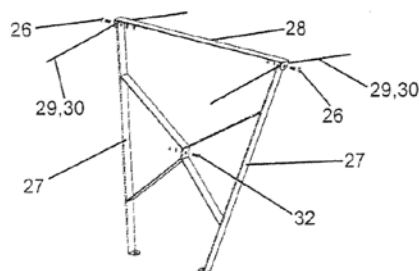
3. Be sure the top (Ref. #1) and the lower (Ref. #2) tubes are straight in line. Slide the tubes together and connect at the flange ring using the 1/2" x 1-1/2" bolt, nut and lockwasher combinations (Ref. #25). **NOTE: Do not fully tighten the bolts in the flange ring connection the first time. Work around the flange at least twice to gradually pull the connection together. Fully tightening the bolts on one side will pull the auger tubes out of alignment.** Be sure the driveline couplers join when joining the tubes. Install the driveline shield splice (Ref. #45)
4. Clamp the intake cage (Ref. #90) to the lower tube using 3/8" x 1-1/4" bolt, nut and lockwasher combinations (Ref. #93). Be sure to have 1/2" clearance between the flight core and the bearing. **NOTE:** Thrust load must be carried at the top of the auger.
5. Mount the drop spout (Ref. #83) with 3/8" x 1-14" bolt, nut and lockwasher combinations and one half clamp (Ref. #84).

6. Attach stop flags (Ref. #120) to the stop flag arms (Ref. #121) using the 3/16" x 3/4" bolt, nut and lockwasher combinations (Ref. #123). The lettering must face the auger tube when the arms are parallel to the tube. These flags will swing out when the track car approaches the end of the track. **NOTE:** The operator must stop raising the auger when these swing out.



7. Add No. 90 gear lube until 1/2 full.
Gearbox is shipped dry from the factory.

- Assemble the truss risers as shown to the right, using two supports (Ref. #27), one 3/8" x 1" bolt, nut and lockwasher combination (Ref. #32), one cross brace (Ref. #28) and two 3/8" x 1-1/4" bolt, nut and lockwasher combinations (Ref. #26) per riser.



- Mount the truss riser assemblies as instructed below

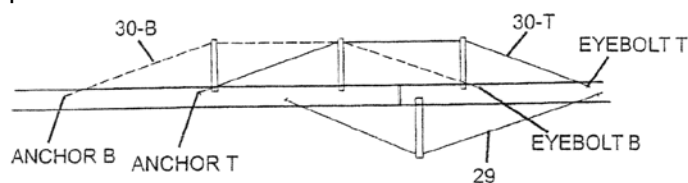
1066 Model

Mount the first truss riser assembly on the flange ring using the 3/8" x 1" bolt, nut and lockwasher combinations (Ref. #32). Mount the second and third truss riser assemblies on the truss mounts located on the top tube using 3/8" x 1" bolt, nut and lockwasher combinations (Ref. #32). Install the 3/16" dia. truss cables (Ref. #30) using two cable clamps (Ref. #31) and one cable thimble (Ref. #31) on each upper cable end. Be sure to run the cable through the truss riser assemblies as shown. Tighten the cables with the eyebolts on the lower cable ends to keep the auger straight.

Mount the undertruss riser assembly on the truss mount located on the lower tube using 3/8" x 1" bolt, nut and lockwasher combinations (Ref. #32). Install the 1/4" dia. truss cables (Ref. #29) using two cable clamps (Ref. #31) and one cable thimble (Ref. #31) on each upper cable end. Be sure to run the cable through the truss riser assembly as shown. Tighten the cables with the eyebolts on the lower cable ends to keep the auger straight. **NOTE: Do not over-tighten the undertruss. Over tightening the undertruss will cause the auger to bow down when the auger is raised.**

1076 Model

Mount the three truss riser assemblies on the truss mounts located on the top tube using 3/8" x 1" bolt, nut and lockwasher combinations (Ref. #32). Install the top pair (T) of 1/4" dia. truss cables (Ref. #30) using two cable clamps (Ref. #31) and one cable thimble (Ref. #31) on the upper cable ends. Install the bottom pair (B) of 1/4" dia. truss cables (Ref. #30) using two cable clamps (Ref. #31) and one cable thimble (Ref. #31) on the upper cable ends. Both pairs of cables go over the center riser. Be sure to run the cable through the truss riser assembly as shown. Tighten the cables with the eyebolts on the lower cable ends. Adjust both top truss "T" and bottom truss "B" to hold the auger straight. This process is trial and error, and experience with trusses is helpful.



Mount the undertruss riser assembly on the truss mount located on the lower tube using 3/8" x 1" bolt, nut and lockwasher combinations (Ref. #32). Install the 1/4" dia. truss cables (Ref. #29) using two cable clamps (Ref. #31) and one cable thimble (Ref. #31) on the upper cable ends. Be sure to run the cable through the truss riser assembly as shown. Tighten the cables with the eyebolts on the lower cable ends to keep the auger straight. **NOTE: Do not over-tighten the undertruss. Over tightening the undertruss will cause the auger to bow down when the auger is raised.**

10. Assemble the undercarriage

1066 Model

Remove track stop pin (Ref. #118) from the end of the track, install track car (Ref. #50) onto the top end of the track, and then **replace track stop pin prior to using the auger. Failure to do so could cause the auger to collapse.**

Attach the rear lift arms (Ref. #35L & #35R) to the track car using one 3/16" x 1-1/2" cotter pin (Ref. #53) for each arm. Attach the front lift arms (Ref. #36 & #37) to the front undercarriage mount using one 3/16" x 1-1/2" cotter pin (Ref. #53) for each arm.

Lift the auger tube and position the arms so that the pivot rod (Ref. #41) can be inserted into the four arms as shown. Secure the pivot rod by inserting 1/4" x 2" cotter pins with 1" x 14 ga bushings (Ref. #42).

Attach the axle (Ref. #34) to the front arms. Use four 1/2" x 1-1/2" bolt, nut and lockwasher combinations (Ref. #40).

Secure the front and rear arms by inserting one 3/8" x 1" bolt, nut and lockwasher combination (Ref. #39) into the cross bracing connecting the front arms together and the rear arms together.

Mount the long cross braces (Ref. #38) on the rear arms using the 3/8" x 1" bolt, nut and lockwasher combinations.

Mount wheels (Ref. #43)

1076 Model

Remove track stop pin (Ref. #118) from the end of the track, install track car (Ref. #50) onto the top end of the track, and then **replace track stop pin prior to using the auger. Failure to do so could cause the auger to collapse.**

Attach the rear lift arms (Ref. #35L & #35R) to the track car using one 3/16" x 1-1/2" cotter pin (Ref. #53) for each arm. Attach the front lift arms (Ref. #36 & #37) to the front undercarriage mount using one 3/16" x 1-1/2" cotter pin (Ref. #53) for each arm.

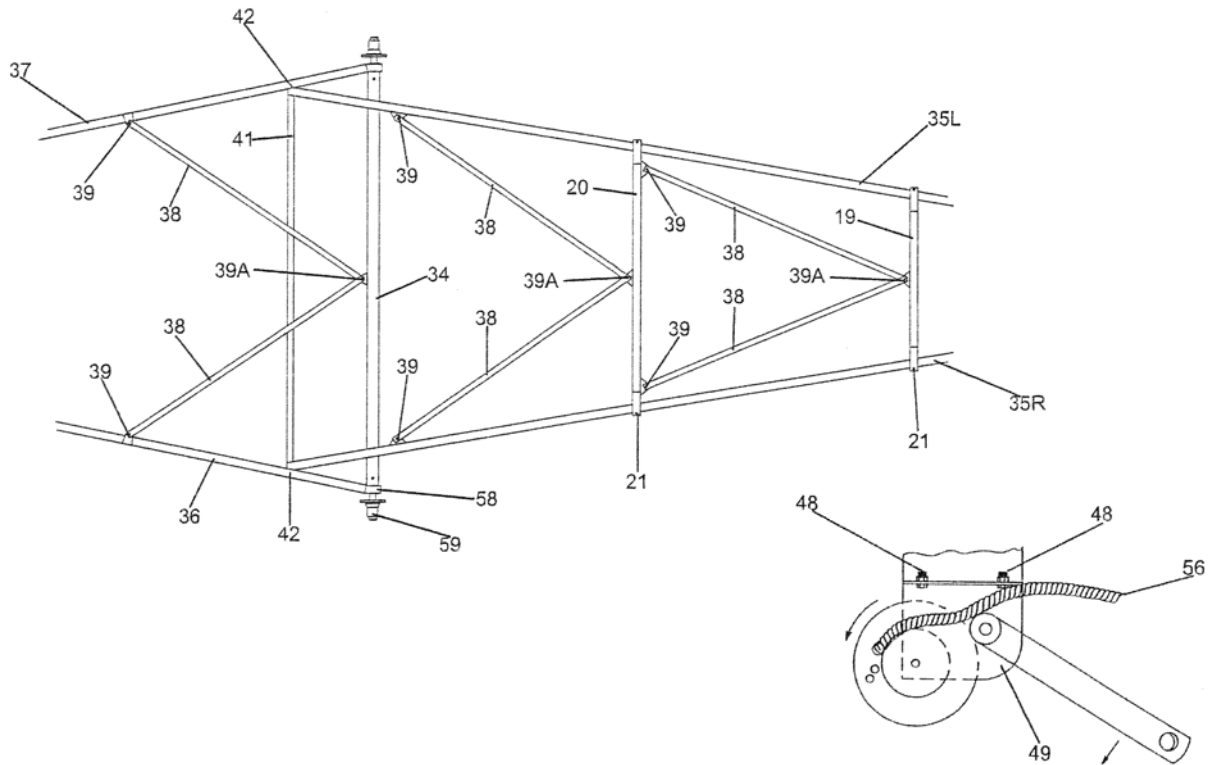
Lift the auger tube and position the arms so that the pivot rod (Ref. #41) can be inserted into the four arms as shown. Secure the pivot rod by inserting 3/8" x 1-3/4" bolt, nut and lockwasher combinations with 1-1/4" x 14 ga. bushings (Ref. #42)

Attach the axle (Ref. #34) to the front arms by inserting the undercarriage spindle and hub (Ref. #59) through the front arms and into the axle. Use two 1/2" x 3-1/2" bolt, nut and lockwasher combinations (Ref. #58) to secure the spindle and hub to the axle.

Secure the front and rear arms by inserting one 3/8" x 1" bolt, nut and lockwasher combination (Ref. #39) into the cross bracing connecting the front arms together and the rear arms together.

Mount the cross bars (Ref. #19 & 20) using 3/8" x 5" bolt, nut and lockwasher combinations (Ref. #21). Mount the long cross braces (Ref. #38) to the front and rear arms using the 3/8" x 1" bolt, nut and lockwasher combinations (Ref. #39) and 3/8" x 1-1/2" bolt, nut and lockwasher combination (Ref. #39A).

Mount wheels (Ref. #43)



11. Mount the winch (Ref. #49) using the 3/8" x 1" bolt, nut and lockwasher combinations (Ref. #48) and thread the cable as instructed below.

Fasten the lift cable (Ref. #56) to the tube by the tube splice with a cable thimble and two cable clamps (Ref. #55). Thread the cable around and through the top sheave in the track car, back around and through the sheave by the tube splice, back around and through the lower sheave in the track car and fasten to the winch. The cable must be threaded between the mounting plate and the cross shaft as shown.



DANGER

Winch must be aligned with cable so that the cable does not stack on one side of the drum. Do not allow the cable to become slack on winch drum. The cable may recoil and slip over the side of the drum. In either case, the cable will wind on drum spindle and cause the winch or cable to fail, allowing auger to drop, which may cause physical damage to the auger or may cause personal injury.

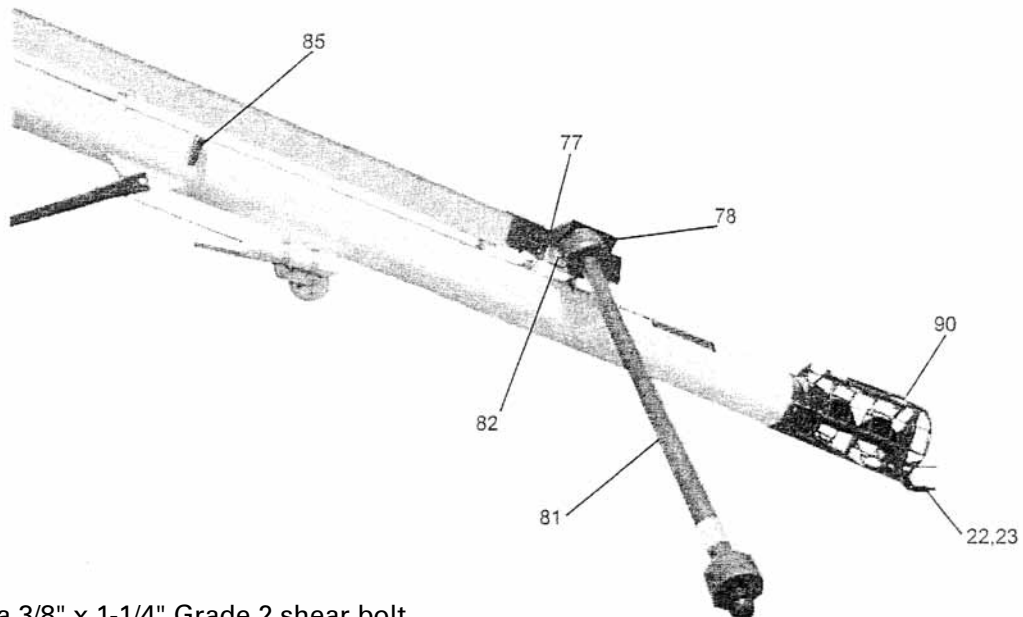
12. Mount the Owner's Manual container tube (Ref. #141) to the winch mount as shown, using 1/4" x 3/4" bolt, nut and lockwasher combinations and mounting straps (Ref. #142).
13. See separate assembly instructions on the following pages for the different drive packages.

Assembly Instructions - PTO Drive

1. Attach the Implement Input Driveline (IID) (Ref. #81) to the gear box with a 7/16" x 2-1/2" spiral pin (Ref. #82).
2. Mount the gear box shield (Ref. #78) using 1/2" x 3/4" bolt and lockwasher (Ref. #77).
3. Install the Implement Input Driveline hanger (Ref. #85) to the mount on the side of the auger tube using a 3/8" x 1" bolt, nut and lockwasher combination.

Gearbox is shipped dry from the factory.

Add No. 90 gear lube until 1/2 full.



NOTE: Use a 3/8" x 1-1/4" Grade 2 shear bolt on the Implement Input Drive. Using other than a Grade 2 bolt may result in damage to the drive components.

Parts List - 1066 and 1076 Conventional Auger

Ref No.	Part No.	Description	Qty 66	Qty 76
1	SZ2937033	Auger Tube (Top Half) w/ Head & Bearing Brackets	1	
	SZ103640	Auger Tube (Top Half) w/ Head & Bearing Brackets*	1	
	SZ2937040	Auger Tube (Top Half) w/ Head & Bearing Brackets		1
	SZ103618	Auger Tube (Top Half) w/ Head & Bearing Brackets*		1
2	SZ2938033	Auger Tube (Lower Half) w/ Brackets	1	
	SZ103641	Auger Tube (Lower Half) w/ Brackets*	1	
	SZ2938035	Auger Tube (Lower Half) w/ Brackets		1
	SZ103619	Auger Tube (Lower Half) w/ Brackets*		1
3	SZ6607033	Flighting Assembly (Top Half)	1	
	SZ6607027	Flighting Assembly (Top Half)		1
4A	SZ2667013	Flighting Assembly (Center Section)		1
4	SZ6608033	Flighting Assembly (Lower Half)	1	
	SZ6608035	Flighting Assembly (Lower Half)		1
5	SZ126104	BLT HHCS 1/2-20UNF 3G5	2	4
	SZ125033	Nut LCK 1/2-20UNF	2	4
6	SZ5127240	Top Driveline Section w/ Couplers, 240" Long (Under Shield)	1	1
7	SZ5128241	Lower Driveline Section, 240" Long (Under Shield)	1	1
8	SZ5127148	Top Driveline Section, 147-1/2" Long (Under Shield)	1	
	SZ5127235	Top Driveline Section, 234-1/2" Long (Under Shield)		1
9	SZ5128095	Lower Driveline Section, 95" Long (Under Shield)	1	
	SZ5128127	Lower Driveline Section, 127" Long (Under Shield)		1
10	SZ0431005	Flighting Extension, Head Drive	1	1
12	SZ4127005	Driveline Extension, Head Drive	1	1
13	SZ4937106	Sprocket Coupler w/ 7/16" Hole (Gear Box - Driveline)	2	2
14	SZ00436142	No. 60 Double Chain - 14 Pitch for Coupler	1	1
15	SZ6007017	7/16" x 1-3/4" Spiral Expand Pin	2	2
19	SZ0211028	32" Cross Bar		1
20	SZ0211050	50" Cross Bar		1
21	SZ126083	BLT HHCS 3/8-16UNC 5G5		4
	SZ127009	WSHR LCK 3/8		4
	SZ125007	Nut Hex 3/8-16 UNC		4
22	SZ0938687	Clevis Tow Hitch	1	1
23	SZ128008	1/2" x 2-3/4" Clevis Pin	1	1
	SZ128018	No. 4 Hair Pin Cotter	1	1
24	SZ2016121	Wood Intake Bearing	1	1
25	SZ126092	BLT HHCS 1/2-13UNC 1-1/4	16	16
	SZ125010	Nut Hex 1/2-13UNC G5	16	16

*Galvanized

Ref No.	Part No.	Description	Qty 66	Qty 76
	SZ127012	WSHR LCK 1/2	16	16
26	SZ126067	BLT HHCS 3/8-16UNC 1-1/4	8	8
	SZ127009	WSHR LCK 3/8	8	8
	SZ125007	Nut Hex 3/8-16UNC	8	8
27	SZ2038351	Cable Truss Support	8	8
28	SZ2031360	Truss Cross Brace	4	4
29	SZ2038322	1/4" Truss Cable w/ Eye Bolt	2	2
30	SZ2038365	3/16" Truss Cable w/ Eye Bolt	2	
	SZ2038438	1/4" Truss Cable w/ Eye Bolt		4
31	SZ6003161	3/16" Cable Thimble	2	
	SZ6003316	3/16" Cable Clamp	4	
	SZ6009104	1/4" Cable Thimble	2	4
	SZ6003104	1/4" Cable Clamp	4	12
32	SZ6003801	3/8" x 1" Bolt, Nut & Lockwasher	12	12
34	SZ102948	Undercarriage Axle w/ 4 Bolt Spindle (114" Track)	1	
	SZ0211105	Undercarriage Axle w/ Removable 6 Bolt Spindle (114" Track)		1
35R	SZ0318254	Undercarriage Lift Arm (254"), Right	1	
	SZ0318252	Undercarriage Lift Arm (252"), Right		1
35L	SZ0319254	Undercarriage Lift Arm (254"), Left	1	
	SZ0319252	Undercarriage Lift Arm (252"), Left		1
36	SZ0315195	Undercarriage Lower Arm (195"), Right	1	
	SZ03152281	Undercarriage Lower Arm (228"), Right		1
37	SZ0317195	Undercarriage Lower Arm (195"), Left	1	
	SZ03172281	Undercarriage Lower Arm (228"), Left		1
38	SZ0217410	Undercarriage Cross Brace	2	
	SZ0218410	Undercarriage Cross Brace		6
39A	SZ126068	BLT HHCS 3/8-16 UNC 1-1/2		3
	SZ125007	3/8" Hex Nut 16 UNC		3
	SZ127009	3/8" Lockwasher		3
	SZ127002	3/8" Flat Washer		3
39	SZ126065	BLT HHCS 3/8-16UNC 1 G5	6	8
	SZ127009	3/8" Lockwasher	6	8
	SZ125007	3/8" Hex Nut 16 UNC	6	8
40	SZ126092	BLT HHCS 1/2-13 UNC 1-1/2	4	
	SZ125010	Nut Hex 1/2-13UNC G5	4	
	SZ127012	WSHR LCK 1/2	4	
41	SZ0311489	Undercarriage Pivot Rod (89-1/2")	1	
	SZ0218416	Undercarriage Pivot Rod (83-1/2")		1

Ref No.	Part No.	Description	Qty 66	Qty 76
42	SZ6001403	1/4" x 2" Cotter Pin w/ 1" x 14 ga Bushing	2	
	SZ6003876	3/8" x 1-3/4" Bolt, Nut & Lockwasher w/1-1/4" x 14 Ga. Bushing		2
43	SZ0114415	15" 4 Bolt Wheel	2	
	SZ0116615	15" 6 Bolt Wheel		2
44	SZ1630392	392" Top Driveline Shield	1	
	SZ1630479	479" Top Driveline Shield		1
45	SZ1629310	Shield Splice	1	1
47	SZ6003115	3/16" x 1-1/4" Driveline Shield Mount Screw	28	32
48	SZ126065	BLT HHCS 3/8-16UNC 1 G5	3	3
	SZ127009	3/8" Lockwasher	3	3
	SZ125007	3/8" Hex Nut 16 UNC	3	3
49	SZ2038221	Bolt-On Winch Assembly	1	1
50	SZ0211147	Track Car w/ 4 Rollers & 2 Sheaves	1	
	SZ0218147	Track Car w/4 Rollers & 2 Sheaves		1
53	SZ6003615	3/16" x 1-1/2" Cotter Pin	4	4
55	SZ6003104	1/4" Cable Clamp	2	2
56	SZ0212505	1/4" Aircraft Cable, 105'	1	
	SZ0212518	1/4" Aircraft Cable, 112'		1
58	SZ126098	BLT HHCS 1/2-13 UNC 3-1/2 G8		2
	SZ127012	1/2" Lock Washer		2
	SZ125010	1/2" Hex Nut 13 UNC G5		2
59	SZ0211115	6 Bolt Hub & Spindle Assembly (Removable)		2
60	SZ2018043	1-1/4" Bearing Driveline & Flight (Head Drive)	3	3
60A	SZ201150	1-1/2" Bearing (Flight Inner Bearing)	1	1
61	SZ126063	BLT HHCS 3/8-16UNC 3/4	9	9
	SZ127009	WSHR LCK 3/8	9	9
	SZ125007	Nut Hex 3/8-16UNC	9	9
61A	SZ126088	1/2" x 3/4" Bolt	4	4
	SZ125010	1/2" Nut	4	4
	SZ127012	1/2" Lockwasher	4	4
62	SZ65062MSCI000	Flange Housing for 8043 Bearing	6	6
62A	SZ65080MSCI000	Flange Housing for 1500 Bearing	2	2
63	SZ0048017	No. 80-17 Tooth Sprocket (Driveline)	1	1
64	SZ0048022	No. 80-22 Tooth Sprocket (Flighting)	1	1
65	SZ6007025	7/16" x 2-1/2" Spiral Expand Pin	2	2
66	SZ0231141	1-1/4" x 14 ga Machine Bushing	4	4
67	SZ00438036	No. 80 Chain, 36 Pitch	1	1
68	SZ8481722	Head Drive - Face Plate	1	1

*As needed

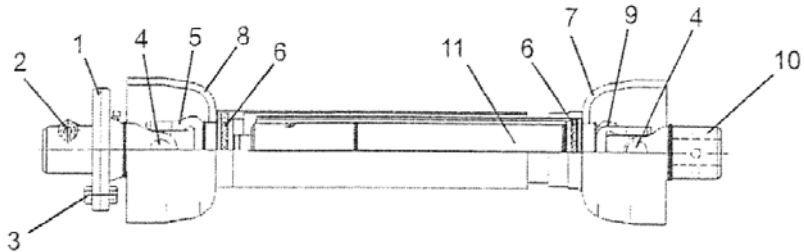
Ref No.	Part No.	Description	Qty 66	Qty 76
69	SZ8481808	Head Drive - Cover	1	1
70	SZ126051	BLT HHCS 5/16-18UNC 1-1/2 G5	1	1
	SZ127010	WSHR LCK 5/16	1	1
	SZ125006	5/16" Hex Nut 18 UNC Grade 5	*	*
71	SZ8401809	Access Plug	1	1
73	SZ2010043	1-1/4" Steel Bearing w/Set Screw	12	14
	SZ65062MSCI000	Flange Housing for Steel Bearing	24	28
	SZ650PSB206228	Replacement 1-1/4" Wood Bearing (2 Pieces)	*	*
	SZ992018881001	Replacement Flange Housing (Slotted for in place install)	*	*
75	SZ126063	BLT HHCS 3/8-16UNC 3/4	24	28
	SZ127009	WSHR LCK 3/8	24	28
	SZ125007	Nut Hex 3/8-16UNC	24	28
76	SZ0168131	Gear Box (7/16" Cross Hole)	1	1
77	SZ126088	BLT HHCS 1/2-13UNC 3/4	8	8
	SZ127012	WSHR LCK 1/2	8	8
78	SZ1629350	Gear Box Shield (PTO)	1	1
81	SZ0161348B	Non-Separable Shielded IID w/ Shear Clutch	1	1
	SZ126067	BLT HHCS 3/8-16UNC 1-1/2	1	1
	SZ125030	Nut LCK 3/8-16UNC Nylock	1	1
82	SZ6007025	7/16" x 2-1/2" Spiral Expand Pin	1	1
83	SZ4193011	Drop Spout w/ Relief Door	1	1
84	SZ2031162	10" 1 Bolt Half Clamp	1	1
	SZ126067	BLT HHCS 3/8-16UNC 1-1/4	2	2
	SZ127009	WSHR LCK 3/8	2	2
	SZ125007	Nut Hex 3/8-16UNC	2	2
85	SZ1628815	Implement Input Driveline Hanger	1	1
86	SZ1630334	Lower Driveline Shield, 334"	1	
	SZ1630366	Lower Driveline Shield, 366"		1
87	SZ125032	Nut LCK 1/2-13UNC Nylock	1	1
	SZ103417	BLT HHCS 1/2-13UNC 8 G5	1	1
88	SZ4127086	Driveline Sleeve Coupler (7/16" Cross Holes)	3	3
89	SZ6007017	7/16" x 1-3/4" Spiral Expand Pin	6	
90	SZ0931045	Auger Intake Cage	1	1
93	SZ127009	WSHR LCK 3/8	6	6
	SZ126067	BLT HHCS 3/8-16UNC 1-1/4	6	6
	SZ125007	Nut Hex 3/8-16UNC	6	6
118	SZ103417	Track Car Stop Pin	1	1
119	SZ6003615	3/16" x 1-1/2" Cotter Key	1	1
120	SZ2029604	Stop Flag Sign	2	2

Ref No.	Part No.	Description	Qty 66	Qty 76
121	SZ2029605	Stop Lift Flag Arm Assembly	2	2
122	SZ6003531	5/32" x 1-1/4" Cotter Pin	2	2
123	SZ102436	Nut LCK #10-24UNC Nylock	4	4
	SZ126026	BLT HHCS #10-24UNC 3/4	4	4
127	SZ126047	BLT HHCS 5/16-18UNC 1 G5	2	2
	SZ125034	Nut LCK 5/16-18UNC Squeeze	2	2
128	SZ0219860	Spring, Stop Lift Sign	2	2
130	SZ0114110	4 Bolt Hub w/ Bearing Cups	2	
	SZ0116021	6 Bolt Hub w/ Bearing Cups		2
131	SZ100126	Inner Bearing Cup	2	
	SZ100152	Inner Bearing Cup		2
132	SZSE-1100	Grease Seal	2	
	SZ0203549	Grease Seal		2
133	SZ100125	Inner Bearing Cone	2	
	SZ100151	Inner Bearing Cone		2
134	SZWB10000	1/2" x 1-1/4" Wheel Bolt	8	12
135	SZDC-1200	Dust Cap	8	
	SZDC13	Dust Cap		2
136	SZLM11949	Outer Bearing Cone	2	
	SZ100125	Outer Bearing Cone		2
137	SZLM11910	Outer Bearing Cup	2	
	SZ100126	Outer Bearing Cup		2
138	SZ601.5X03/4WA	1-1/2" O.D. x 3/4" ID x 10 ga Spindle Washer	2	
	SZ600X15016WA	2" OD x 15/16" ID Spindle Washer		2
139	SZP251703	Slotted Spindle Nut	2	
	600NUT0SLOT0	Slotted Spindle Nut		2
140	SZ66C5/32X13/4	5/32" x 1-3/4 Cotter Pin	2	
	SZ66C5/32X21/4	5/32" x 2-1/4" Cotter Pin		2
141	SZ29700	Owner's Manual Container Tube	1	1
142	SZ126029	BLT HHCS 1/4-20UNC 3/4	2	2
	SZ127008	WSHR LCK 1/4	2	2
	SZ125005	Nut Hex 1/4-20UNC G5	2	2
150	SZ126065	BLT HHCS 3/8-16UNC 1 G5	3	3
	SZ127009	WSHR LCK 3/8	3	3
	SZ127002	WSHR FLT 3/8	3	3
	SZ125007	Nut Hex 3/8-16UNC	3	3
157	SZ126069	BLT HHCS 3/8-16UNC 1-3/4	4	4
	SZ125007	BUT HEX 3/8-16UNC	4	4
	SZ127009	WSHR LCK 3/8	4	4

Parts List - Decals (decal location drawing available upon request)

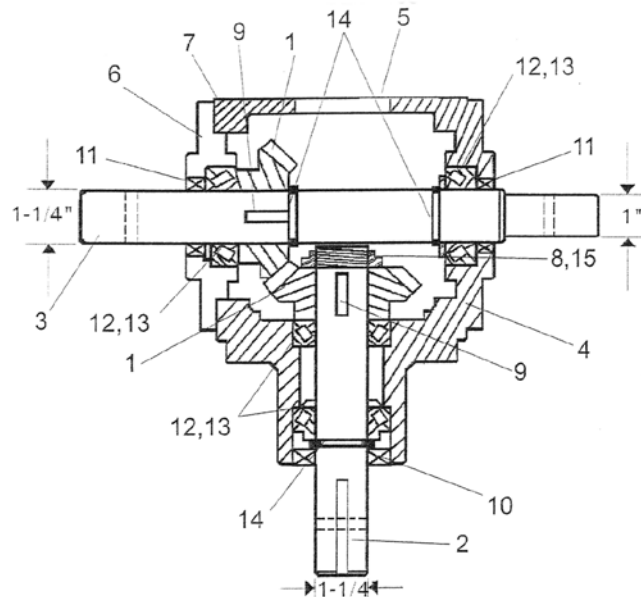
Part No.	Description	Qty
SZ06001	Made in the USA	1
SZ06010	"WARNING" Do not operate the unit before reading the operator's manual	1
SZ06018	"NOTICE" Do not operate when empty during break-in period	1
SZ06023	"WARNING" Keep shield in place	2
SZ06024	"NOTICE" Use a 3/8" diameter grade 2 bolt	1
SZ06051	"DANGER" Rotating Flighting	3
SZ06056	FEMA	1
SZ06057	Grease Gun Silhouette	1
SZ06059	"WARNING" Contact with moving parts may result in a serious injury or death	1
SZ06075	"DANGER" Shield missing	5
SZ06078	"NOTICE" Avoid over feeding	1
SZ06081	"STOP LIFT"	2
SZ06112	"NOTICE" Gear box oil level must be checked	1
SZ06527	"DANGER" Electrocutation hazard	1
SZ06528	"NOTICE" Do not tow over 20 M.P.H	1
SZ06021	"WARNING" Over height and over width (1076)	1
SZ000113	FARM KING logo for red augers	2
910581	FARM KING logo for galvanized augers	2
SZ000199	1066 for red augers	2
SZ000307	1066 for galvanized augers	2
SZ000219	1076 for red augers	2
	1076 for galvanized augers	2
SZ000116	Feterl Original	2

Parts List - SZ0161348B - PTO Drive



Ref No.	Part No.	Description	Qty
	SZ0161348B	Complete IID - 7/16" Cross Hole - 48" Closed Length	1
	SZ01613481B	Tractor Half w/ 5-7/8" O.D. Bell Shield (Uni-Shield)	1
	SZ016134815B	Machine Half w/ 5-7/8" O.D. Bell Shield (Uni-Shield)	1
1	SZ195-1406A	14N 1-3/8" 6 Spline Pin Type Snap Hitch Shear Yoke	1
2	SZ02010306	Pin Type Snap Hitch Repair Kit	1
3	SZ6003806	3/8" x 1-1/4" Grade 2 Shear Bolt w/ Locknut	1
4	SZ101633	14N Cross & Bearing Kit, Complete	2
5	SZ188-13481	1" x 1-1/8" Rectangular Shaft w/ 14N Yoke - 22-3/4" Long	1
6	SZ128-1200	14N Shield Bearing, Ring & Washer Kit	2
7	SZ309N1248	Inner Plastic Shield (2-11/16" O.D.) w/ 5-7/8" O.D. Notched Bell - 31-1/8"	1
8	SZ30901248	Outer Plastic Shield (3" O.D.) w/ 5-7/8" O.D. - 20-1/4" Long	1
9	SZ185-13481	Outer Torque Tube w/ 14N Yoke and Slip Sleeve - 26-1/2" Long	1
10	SZ184-14201	14N Yoke - 1-1/4" Round w/ 7/16" Cross Hole	1
11	SZ6001615	5/16" x 1-1/2" Spiral Pin (Thru pin hole in item #5 inside torque tube)	1

Parts List - SZ0168131 - Prairie Gear 6005 Gear Box



Ref No.	Part No.	Description	Qty
	SZ0168131	Prairie Gear w/ 1-1/4" x 1-1/4" x 1" - 7/16" Pinhole	1
1	SZPG-1207	Gear - 17 Tooth	2
2	SZPG-4645B	Input Shaft - 7/16" cross hole	1
3	SZPG-4644B	Output Shaft - 7/16" cross hole	1
4	SZPG-1024	Case	1
5	SZPG-1154	Case Cover	1
6	SZPG-1121-1	Cap-Output Shaft	1
7	SZPG-1511	Shim - .005	*
	SZPG-1512	Shim - .0075	*
	SZPG-1513	Shim - .010	*
8	SZPG-1600	Snap Ring	1
9	SZPG-1651	Key	2
10	SZ8742128904	Grease Seal - Input Shaft	1
11	SZPG-1471	Grease Seal - Output Shaft	1
12	SZ100126	Bearing Cup	4
13	SZ100125	Bearing Cone	4
14	SZPG-1603	Snap Ring	3
	SZPG-1872	3/8" Pipe Plug	1
	SZPG-1850	1/4" Pipe Plug	1
	SZPG-1864	3/8" - 1/4" Pipe Bushing	1
	SZPG-1856	Pressure Relief Vent	1
15	SZPG-1805	Washer	3

*As needed

IDENTIFICATION: Cast iron case, Prairie Gear, 1023 is printed on the case.

Gearbox is shipped dry from the factory.

Add No. 90 gear lube until 1/2 full.

Farm King Limited Warranty

This document limits your warranty rights.

Base Limited Warranty

Buhler Industries Inc. provides this warranty only to original retail purchasers of its product. Buhler Industries Inc. warrants to such purchasers that all Buhler Industries Inc. manufactured parts and components used and serviced as provided for in the Operator's Manual shall be free from defects in materials and workmanship for a period following delivery to the original retail purchaser of 12 months (80 days for commercial applications). This limited warranty applies only to those parts and components manufactured by Buhler Industries Inc. Parts and components manufactured by others are subject to their manufacturer's warranties, if any.

Buhler Industries Inc. will fulfill this limited warranty by, at its option, repairing or replacing any covered part that is defective or is the result of improper workmanship, provided that the part is returned to Buhler Industries Inc. within thirty (30) days of the date that such defect or improper workmanship is, or should have been, discovered. Buhler Industries Inc. reserves the right to either inspect the product at the buyer's location or have it returned to the factory for inspection. Parts must be returned through the selling representative and the buyer must prepay transportation charges.

Buhler Industries Inc. will not be responsible for repairs or replacements that are necessitated, in whole or part, by the use of parts not manufactured by or obtained from Buhler Industries Inc. Under no circumstances are component parts warranted against normal wear and tear. There is no warranty on product pump seals, product pump bearings, rubber product hoses, pressure gauges, or other components that require replacement as part of normal maintenance. Also: Buckets and Bucket Tines carry no warranty, Bent Spears carry no warranty, Snowblower Fan Shafts carry no warranty, Mower Blades carry no warranty, Portable Auger Parts Have Two (2) Year Warranty, Loader Parts Have Two (2) Year Warranty. The purchaser is solely responsible for determining suitability of goods sold. This warranty is expressly in lieu of all other warranties expressed or implied. Buhler Industries Inc. will in no event be liable for any incidental or consequential damages whatsoever. Nor for any sum in excess of the price received for the goods for which liability is claimed.

Repair Parts Limited Warranty

Buhler Industries Inc. warrants Farm King replacement parts purchased after the expiration of the Buhler Industries Inc. Limited Warranty, and used and serviced as provided for in the Operator's Manual, to be free from defects in materials or workmanship for a period of thirty (30) days from the invoice date for the parts. Buhler Industries Inc. will fulfill this limited warranty by, at its option, repairing or replacing any covered part that is defective or is the result of improper workmanship, provided that the part is returned to Buhler Industries Inc. within thirty (30) days of the date that such defect or improper workmanship is, or should have been, discovered. Such parts must be shipped to Buhler Industries Inc. at the purchaser's expense.

What is Not Covered

Under no circumstances does this limited warranty cover any components or parts that have been subject to the following: negligence; alteration or modification not approved by Buhler Industries Inc.; misuse; improper storage; lack of reasonable and proper maintenance, service, or repair; normal wear; damage from failure to follow operating instructions; accident; and/or repairs that have been made with parts other than those manufactured, supplied, and or authorized by Buhler Industries Inc.

Authorized Dealer and Labor Costs

Repairs eligible for labor under this limited warranty must be made by Buhler Industries Inc. or an authorized Farm King dealer. Buhler Industries Inc. retains the exclusive discretion to determine whether it will pay labor costs for warranty repairs or replacements, and the amount of such costs that it will pay and the time in which the repairs will be made. If Buhler Industries Inc. determines that it will pay labor costs for warranty work, it will do so by issuing a credit to the dealer's or distributor's account. Buhler Industries Inc. will not approve or pay invoices sent for repairs that Buhler Industries Inc. has not previously approved. Warranty service does not extend the original term of this limited warranty.

Warranty Requirements

To be covered by warranty, each Farm King new product must be registered with Buhler Industries Inc. within thirty (30) days of delivery to original retail purchaser. If the customer decides to purchase replacement components before the warranty disposition of such components is determined, Buhler Industries Inc. will bill the customer for such components and then credit the replacement invoice for those components later determined to be covered by this limited warranty. Any such replacement components that are determined not be covered by this limited warranty will be subject to the terms of the invoice and shall be paid for by the purchaser.

Warranty Claims:

Warranty requests must be prepared on Buhler Industries Inc. Warranty Claim Forms with all requested information properly completed. Warranty Claims must be submitted within a thirty (30) day period from date of failure repair.

Warranty Labor:

Any labor subject to warranty must be authorized by Buhler Industries Inc. The labor rate for replacing defective parts, where applicable, will be credited at 100% of the dealer's posted shop rate. Defective parts will receive an extra 10% discount to assist with freight or other incidental costs.

Exclusive Effect of Warranty and Limitation of Liability

TO THE EXTENT PERMITTED BY LAW, BUHLER INDUSTRIES INC. DISCLAIMS ANY WARRANTIES, REPRESENTATIONS, OR PROMISES, EXPRESS OR IMPLIED, AS TO THE QUALITY, PERFORMANCE, OR FREEDOM FROM DEFECT OF THE COMPONENTS AND PARTS COVERED BY THIS WARRANTY AND NOT SPECIFICALLY PROVIDED FOR HEREIN.

TO THE EXTENT PERMITTED BY LAW, BUHLER INDUSTRIES INC. DISCLAIMS ANY IMPLIED WARRANTIES OF MERCHANTABILITY AND FITNESS FOR A PARTICULAR PURPOSE ON ITS PRODUCTS COVERED HEREIN, AND DISCLAIMS ANY RELIANCE BY THE PURCHASER ON BUHLER INDUSTRIES INC.'S SKILL OR JUDGMENT TO SELECT OR FURNISH GOODS FOR ANY PARTICULAR PURPOSE. THE PURCHASER'S ONLY AND EXCLUSIVE REMEDIES IN CONNECTION WITH THE BREACH OR PERFORMANCE OF ANY WARRANTY ON PRODUCTS MANUFACTURED BY BUHLER INDUSTRIES INC. ARE THOSE SET FORTH HEREIN. IN NO EVENT SHALL BUHLER INDUSTRIES INC. BE LIABLE FOR INCIDENTAL OR CONSEQUENTIAL DAMAGES (INCLUDING, BY WAY OF EXAMPLE ONLY AND NOT LIMITATION, LOSS OF CROPS, LOSS OF PROFITS OR REVENUE, OTHER COMMERCIAL LOSSES, INCONVENIENCE, OR COST OF REPLACEMENT OF RENTAL EQUIPMENT). IN NO EVENT SHALL FARM KING'S CONTRACT OR WARRANTY LIABILITY EXCEED THE PURCHASE PRICE OF THE PRODUCT.

(Note that some provinces or states do not allow limitations on how long an implied warranty lasts or the exclusion or limitation of incidental or consequential damages, so the above limitations and exclusion may not apply to you.) This warranty gives you specific legal rights and you may also have other rights, which vary from province to province or state to state.

Buhler Industries Inc. neither assumes nor authorizes any person or entity, including its selling representatives, to assume any other obligations or liability in connections with the sale of covered equipment, or to make any other warranties, representations, or promises, express or implied, as to the quality, performance, or freedom from defect of the components and parts covered herein. No one is authorized to alter, modify, or enlarge this limited warranty, or its exclusions, limitations and reservations.

Corrections of defects and improper workmanship in the manner, and for the applicable time periods, provided for herein shall constitute fulfillment of all responsibilities of Buhler Industries Inc. to the purchaser, and Buhler Industries Inc. shall not be liable in negligence, contract, or on any other basis with respect to the subject equipment.

This limited warranty is subject to any existing conditions of supply which may directly affect Buhler Industries Inc.'s ability to obtain materials or manufacture replacement parts.

Buhler Industries Inc. reserves the right to make improvements in design or changes in specifications to its products at anytime, without incurring any obligation to owners of units previously sold.

Government Legislation:

Warranty terms and conditions are subject to provincial or state legislation.

Important Note: This warranty does not apply to rentals.

Serial Number Location

The following page contains a space for you to record the information about your portable grain auger found on this plate. Please record this information here for future reference.

NOTE: The auger serial number is located on the second upright support on the lower cradle.

Farm King Number: _____

Farm King Serial Number: _____

Component Serial Numbers:

Manufacturer	Part Number	Serial No.	Notes:

www.farm-king.com

Farm King

1330 43rd Street NW
Fargo, ND USA 58102
Ph.: 701.282.7014 | Fax: 701.282.5865
Toll Free: 888.524.1004
E-mail: info@buhler.com
www.farm-king.com

Equipment shown is subject to change without notice.
©2010 Buhler Trading Inc. Printed in USA. TSX:BUI

bühler | a division of Buhler Industries Inc.