

Farm King

OPERATOR AND PARTS MANUAL

Conventional Auger

Model 1234

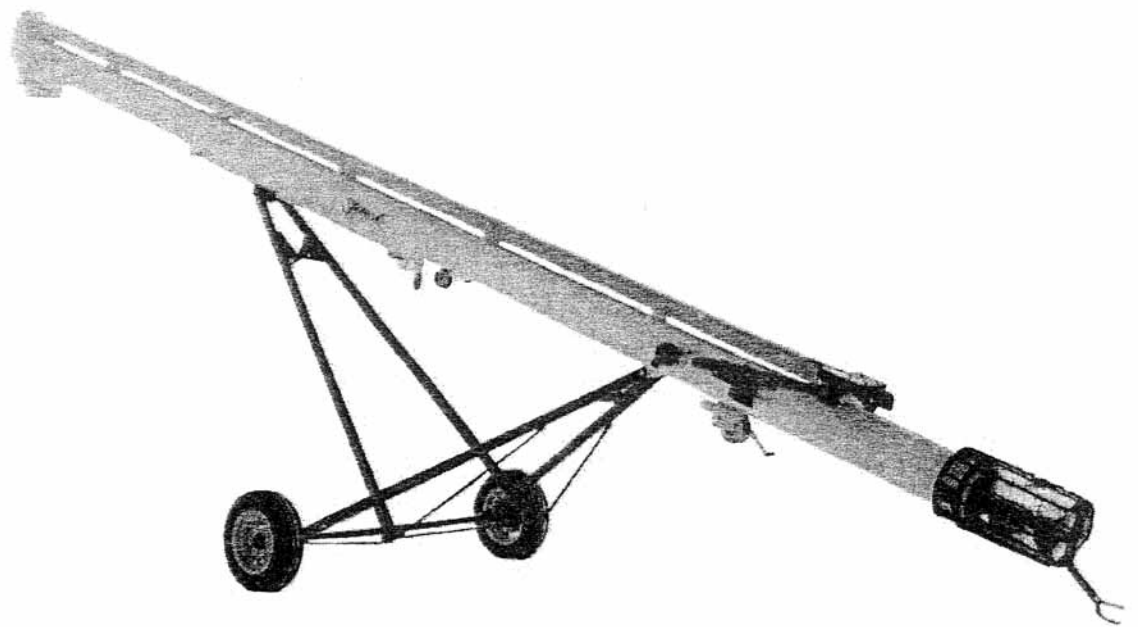


Table of Contents

Introduction4

Safety.....5

- Safety5
- General Safety.....5
- Operation Safety5
- Transport Safety6
- Electrical Safety.....6
- Safe Operation Instructions6

Assembly.....7

- Stop Flag and Track Stop8
- 6 Bolt Hub Assembly8
- Head Drive Assembly8
- Assembly Instructions9
- Assembly Instructions - PTO 540 RPM Drive..... 10
- Assembly Instructions - Electric Drive 11

Parts12

- 1234 Parts 12
- Decals..... 15
- PTO 540 RPM Drive..... 16
- 6005 Gear Box..... 17

Warranty 18

Manufacturer’s statement: for technical reasons Buhler Trading Inc. reserves the right to modify machinery design and specifications provided herein without any preliminary notice. Information provided herein is of descriptive nature. Performance quality may depend on grain type, grain moisture, auger elevation and other factors.

Introduction

To the owner

Thank you for purchasing a Farm King 1234 Conventional Auger.

Farm King Conventional Augers have been designed to provide many years of profitable and dependable service. To assure maximum performance of your auger, it is mandatory that you thoroughly study the operator's manual and follow its recommendations. **PLEASE EXAMINE YOUR UNIT CLOSELY AND READ THE ASSEMBLY INSTRUCTIONS TO SEE THAT YOUR UNIT IS PROPERLY ASSEMBLED.** Proper operation and maintenance are essential for safety, to maintain performance, and to maximize the life of the auger. When ordering parts or inquiring about the auger, you must include the serial number which is located on the second upright of the lower truss support.

It is the owner's responsibility to:

Operate and maintain this auger in a safe manner and in accordance with all applicable local, state, and federal codes and/or laws.

Make sure each and every operator has read the operator's manual and thoroughly understands safe and correct operating procedures.

Make sure unauthorized people do not operate or are not in the vicinity of the auger while it is in operation.

Maintain the auger in accordance with the maintenance schedule in this manual. Furthermore, as additional technology becomes available, the owner is responsible for improving the safety and reliability of the system.

Fulfill all warranty obligations so as not to void the warranties. Verify the unit is warranty registered prior to making any warranty claims. The warranty section at the back of this manual outlines the warranty policy of Farm King.

Abuse or modifications to the auger that change the performance other than original factory specifications void the warranty.

Farm King reserves the right to make product improvements to the equipment at any time. It shall not be obligated to make such changes to machines already in service.

*The owner, manager and/or operator is responsible for safe, accurate operation and maintenance of the Farm King 1234 Conventional Auger.

Safety

Safety Instructions

An Operator's Manual is furnished with each grain auger. Additional or replacement manuals are available. Do not operate the unit before reading and understanding the Operator's Manual. Understand the operating procedures below to avoid personal injury or death.

The alert symbol is used throughout this manual. It indicates attention is required and identifies hazards. Follow the recommended precautions.



The safety alert symbol means...
ATTENTION! BECOME ALERT! YOUR SAFETY IS INVOLVED!

General Safety

An auger can collapse and fall on the operator or bystander causing serious injury or death. Always support the discharge end when the following conditions occur:

- While unit is in operation.
- When dismantling the undercarriage.

The accidental tipping or upending of an auger may cause serious injury or death to the operator or bystanders. When the grain flow is shut off to the auger an overbalance situation can occur, suddenly raising the intake auger. Adequate anchorage of the intake end or support from bin is required at all times, especially in the following conditions:

- While unit is in operation.
- When moving the auger.
- When raising or lowering the auger.
- Maximum elevation is determined by interference between track car and auger structure. The operator must stop raising the auger before track car reaches the end of the track. Continued lift will cause failure of the winch, lift cable or auger supports, causing auger to collapse, which can result in serious injury or death.

Contact with rotating flighting will cause serious injury or death.

- Do not stand on the intake cage.
- Keep hands, feet and clothing away from the intake and discharge flighting.

Operation Safety

Intentional or accidental contact with moving parts may result in a serious injury or death. Observe the following operating procedures.

- Keep all safety devices in place.
- Do not adjust, service, lubricate, clean, unclog or move the mechanism until all power is shut off.
- Keep hands, feet and clothing away from moving parts while in operation.
- Keep off the equipment at all times.
- Make certain that everyone is clear of the equipment at all times.
- Make certain that everyone is clear of the equipment before applying power.
- Keep children, visitors and all untrained personnel away from machine while in operation.

Transport Safety

Care must be used when moving or transporting the auger. Accidental tipping or upending of an auger can occur and may cause serious injury or death to the operator or bystanders.

- Never move the auger manually.
- Be sure auger is empty before attempting to move.
- Never push on the undercarriage of the auger.
- Tow the auger at slow speed and in the down position.
- Always test the intake end of the auger for downward weight when attaching or releasing.
- Never raise the hitchpoint higher than the vehicle's tow bar.

Electrical Safety

Contact with overhead wires may cause electrocution of the operator or bystanders. Contact with overhead obstructions may cause collapse or tipping of the auger or may cause the overhead obstruction to fall. In both cases the operator or bystander can be seriously injured or killed.

Observe the following:

- Tow the auger at slow speed and in the down position.
- Raise or lower the auger slowly.

Electrical malfunction can cause electrocution of the operator or bystanders.

Observe the following rules.

- Disconnect power and electrical driven units before resetting motor overloads.
- Do not operate electric motor equipped units until unit is properly grounded.

Safe Operating Instructions

There are several decals on the grain auger and its attachments with safety instructions.

Read and understand these safety alerts before operating.

The shielding has been removed in some of the illustrations for parts demonstration only.

Install all shields before operating the unit.



DANGER

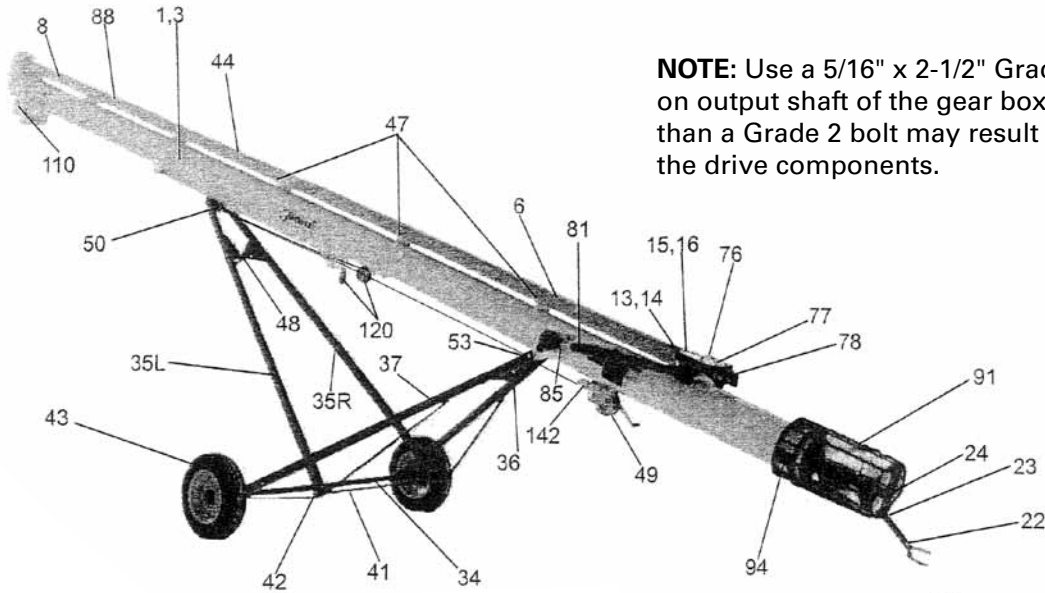
The operator must stop raising the auger when the stop signs swing out before the track car reaches the end of the track. Continued lift will cause failure to the winch, lift cable, or auger supports, causing the auger to collapse, which can result in physical damage, personal injury or death.



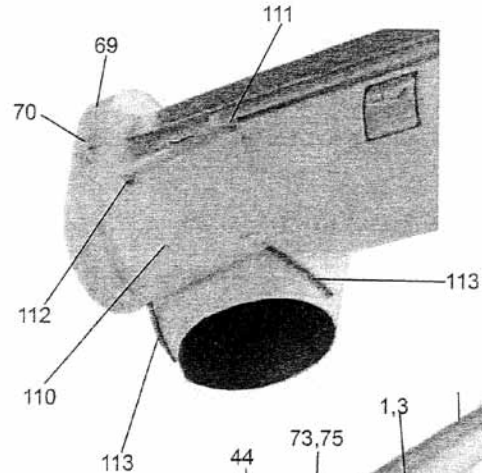
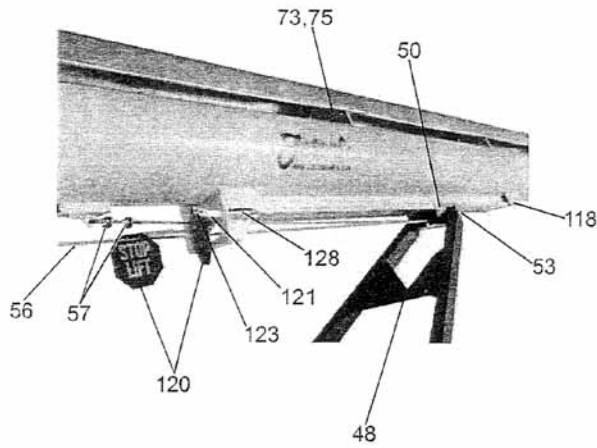
DANGER

Winch must be aligned with cable so that the cable does not stack on one side of the drum. Do not allow the cable to become slack on winch drum. The cable may recoil and slip over the side of the drum. In either case, the cable will wind on drum spindle and cause the winch or cable to fail, allowing auger to drop, which may cause physical damage to the auger or may cause personal injury.

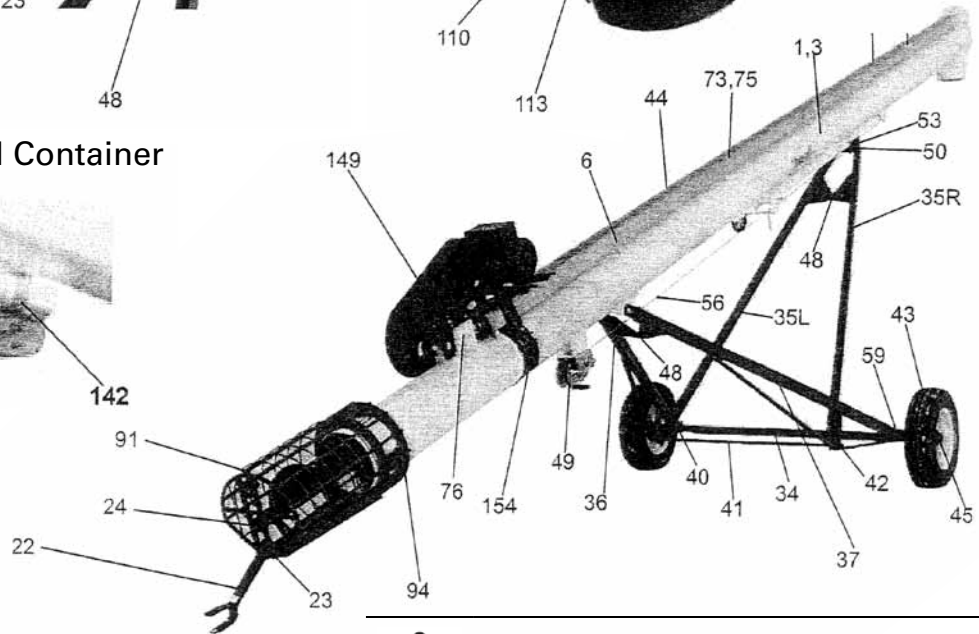
Assembly Instructions



NOTE: Use a 5/16" x 2-1/2" Grade 2 shear bolt on output shaft of the gear box. Using other than a Grade 2 bolt may result in damage to the drive components.

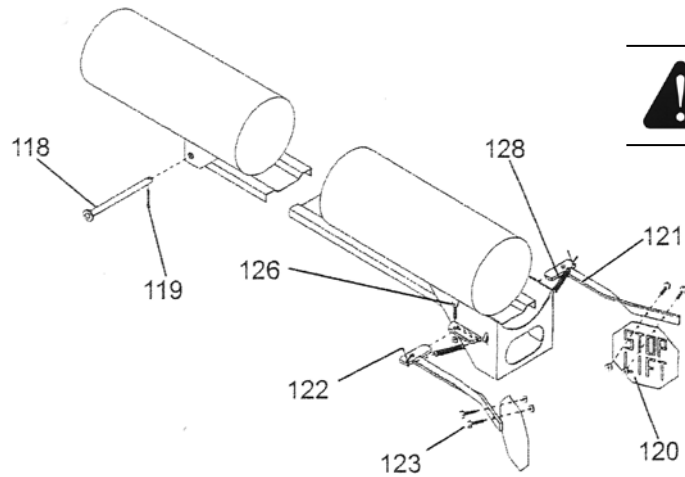


Owner's Manual Container



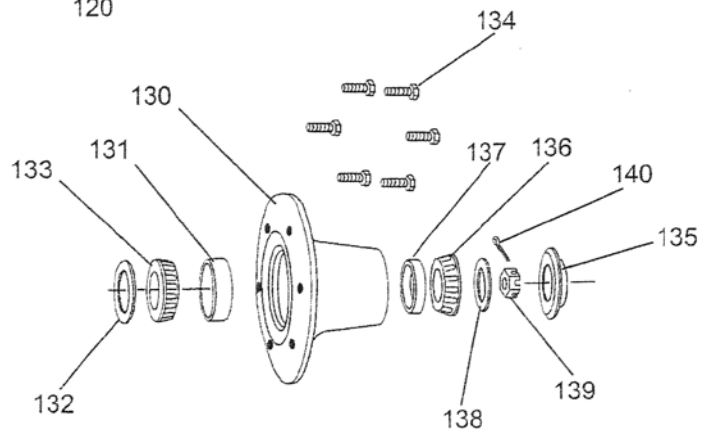
Keep all shields in place during operation.

Stop Lift Flag and Track Stop



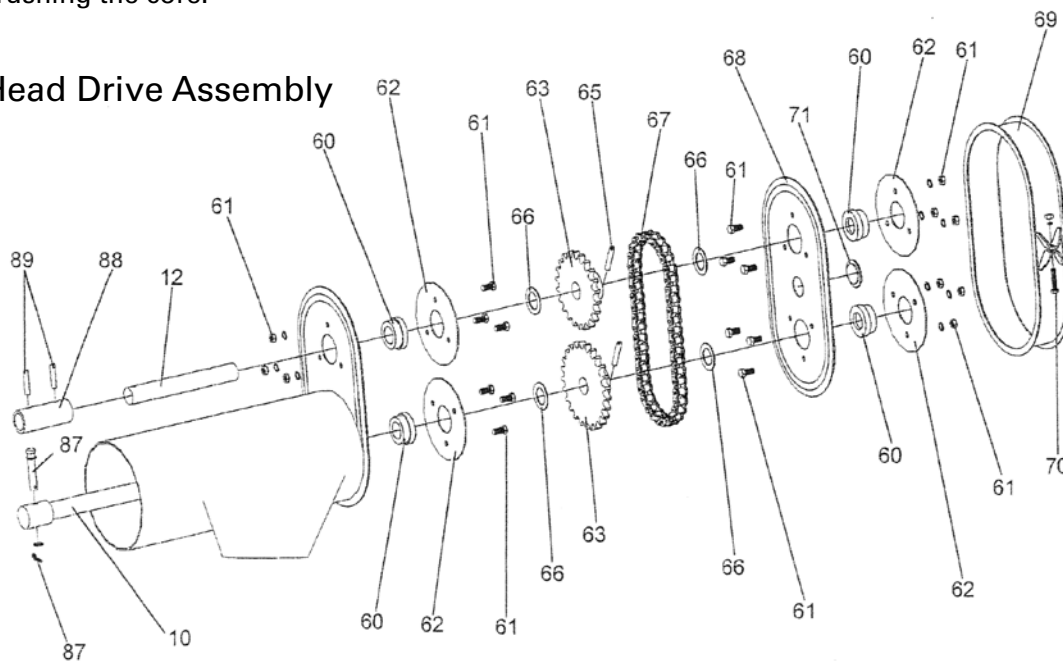
Keep all shields in place during operation.

6 Bolt Hub Assembly



NOTE: Keep 1/16" gap between the self locking nut and the flighting core on the 1/2" x 4-1/2" (Ref. #87) flighting drive bolt to keep from crushing the core.

Head Drive Assembly



1. Remove track stop pin (Ref. #118) from the end of the track, install track car (Ref. #50) onto the top end of the track (with the end containing the cable anchor towards the intake end of the auger), and then **replace track stop pin prior to using the auger. Failure to do so could cause the auger to collapse.**
2. Clamp the intake cage (Ref. #91) to the lower tube using the 1/2" x 4" bolt, nut and lockwasher combinations (Ref. #94). Be sure to have 1/2" clearance between the flight core and the bearing. **NOTE:** Thrust load must be carried at the top of the auger.
3. Attach the brake winch (Ref. #49) to the mount on the underside of the lower tube using the 3/8" x 1" bolt, nut and lockwasher combinations (Ref. #48).
4. Add No. 90 gear lube until 1/2 full.

The gear box is shipped dry from the factory.

5. Assemble the undercarriage

Attach the front support arms (Ref. #36 and #37) to the front undercarriage mount by sliding arms over the rod and inserting two 3/16" x 1-1/2" cotter pins (Ref. #53). Secure the arms by inserting two 3/8" x 1" bolt, nut and lockwasher combinations (Ref. #48) into the cross bracing of the arms

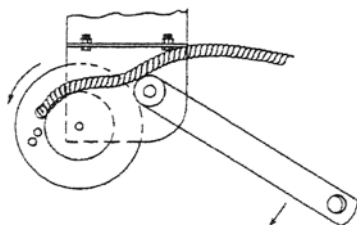
Attach the rear support arms (Ref. #35R & 35L) to the track car by using two 3/16" x 1-1/2" cotter pins (Ref. #53). Secure the arms by inserting two 3/8" x 1" bolt, nut and lockwasher combinations (Ref. #48) into the cross bracing.

Connect the rear arms to the front arms by lifting the auger tube, moving the rear arms so that the sleeves on all the arms line up. Slide the pivot rod (Ref. #41) through the arms and insert a 1" x 14 ga bushing and a 1/4" x 2" cotter pin (Ref. #42) on each end of the rod.

Connect the axle (Ref. #34), using two 3/8" x 3-3/16" U-bolts (Ref. #40) to each of the front arms.

Mount the wheels.

6. Fasten the lift cable (Ref. #56) to the anchor on the bottom side of the tube with a thimble (Ref. #56) and two cable clamps (Ref. #57). Thread the cable around the sheave in the track car, and fasten to the winch. **NOTE:** The winch must be aligned with cable so that cable does not stack on the side of the drum.



NOTE: The cable has to be threaded between the mounting plate and the cross shaft as shown.

7. Bolt Stop Lift Sign (Ref. #120) to the Stop Lift Arm (Ref. #121) with the 3/16" x 3/4" bolt, nut and lockwasher combinations (Ref. #123). The lettering must face the auger tube when the arms are parallel to the tube. These signs will swing out when the track car approaches the end of the track. **NOTE:** The operator must stop raising the auger when the signs swing out.
8. See separate assembly instructions for the different drive packages.



ALERT

Do not operate the auger empty during the break-in period. For the best results, do not full feed the intake for the first 500 bushels. After break-in, never run auger at slow idle when full feeding the auger.

Assembly Instructions - PTO 540 RPM Drive

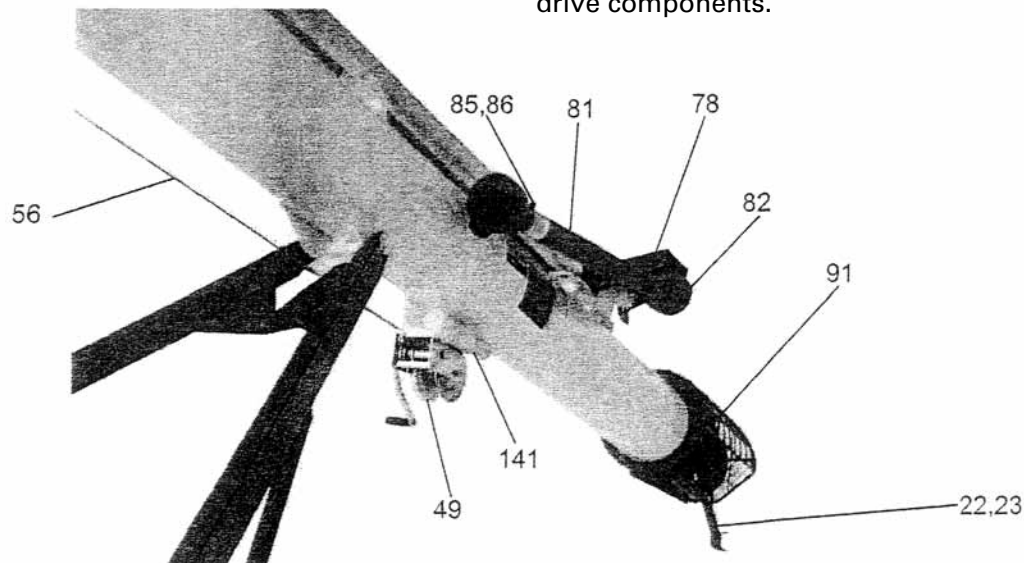
1. Attach the Implement Input Driveline (IID) (Ref. #81) to the gear box with a 5/16" x 2-1/2" spiral pin (Ref. #82).
2. Mount the gear box shield (Ref. #78) using 1/2" x 3/4" bolt and lockwasher (Ref. #77).

NOTE: 540 RPM drive can be converted to electric drive without changing gear box.

Gearbox is shipped dry from the factory.

Add No. 90 gear lube until 1/2 full.

NOTE: Use a 5/16" x 2-1/2" Grade 2 shear bolt on the output shaft of the gearbox. Using other than a Grade 2 bolt may result in damage to drive components.



Assembly Instructions - Electric Drive

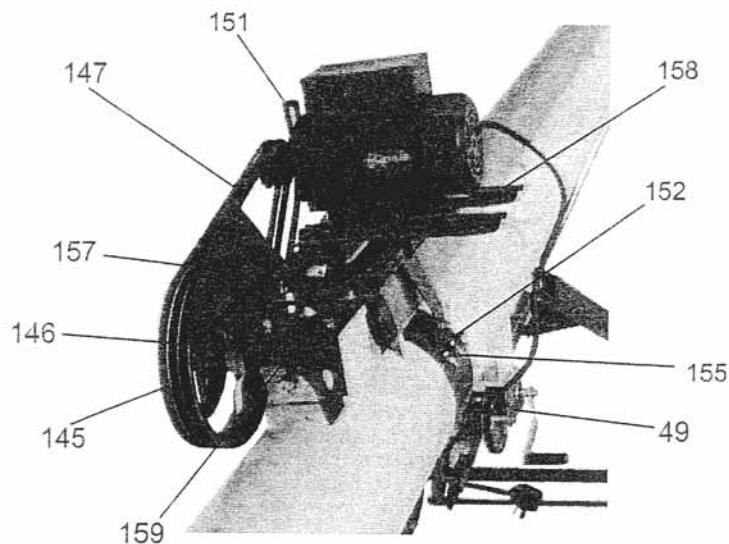
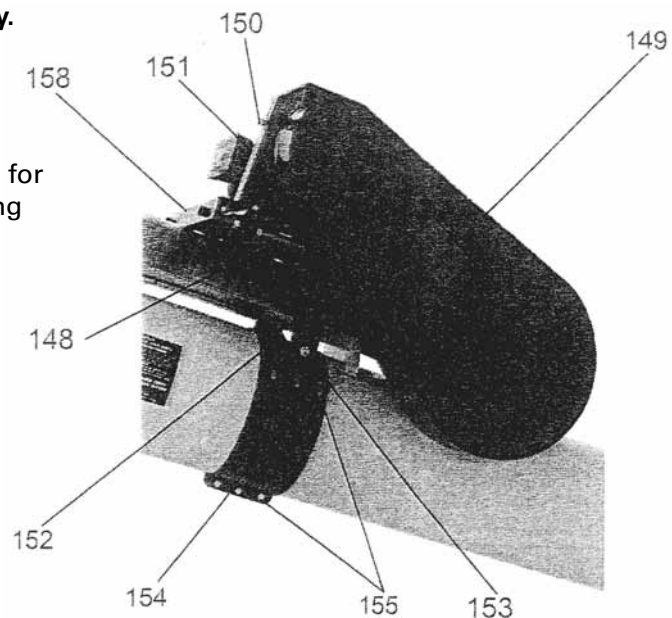
1. Assemble the electric mount top support clamp (Ref. #152) and the lower support clamps (Ref. #154) on the tube above the gearbox using 3/8" x 1-1/4" bolt, nut and lockwasher combinations (Ref. #155).
2. Attach the gearbox shield (Ref. #159) and the electric motor mount assembly (Ref. #158) onto the gear box and onto the top support clamp using four 1/2" x 3/4" bolt and lockwasher combinations (Ref. #77).
3. Mount the 14" x 3-groove pulley (Ref. #145) onto the gear box using the 1/4" x 1-3/4" key (Ref. #146).
4. Mount the belts (Ref. #147). Mount the electric belt and pulley shield (Ref. #157) using the shield support bar (Ref. #151) and the 3/8" x 1-1/4" bolt, nut and lockwasher combinations (Ref. #155).

NOTE: This option requires a 4-1/2" O.D. 3-groove pulley for 1750 RPM motor (not furnished).

Gearbox is shipped dry from the factory.

Add No. 90 gear lube until 1/2 full.

NOTE: The shielding has been removed for parts illustration only. Install all shielding before operating the unit.



Parts List - 1234 Conventional Auger

Ref No.	Part No.	Description	Qty
1	SZ2937234	AugerTube w/ Head & Bearing Brackets	1
	SZ000280	AugerTube w/ Head & Bearing Brackets*	1
3	SZ6607234	Flighting	1
6	SZ4128488	288-1/4" Driveline	1
8	SZ4127851	51" driveline	1
10	SZ0437205	Flighting Extension (Head Drive) w/ Bushing	1
12	SZ4127805	Driveline Extension (Head Drive)	1
13	SZ4127806	Sprocket Coupler (Gear Box, Driveline)	2
14	SZ0043614	No. 60-14 Pitch Coupler Chain	1
15	SZ6001617	5/16" x 1-3/4" Spiral Expand Pin	1
16	SZ6005025	5/16" x 2-1/2" Grade 2 Shear Bolt, Nut and Lockwasher (Gear Box Coupler)	1
22	SZ09312932	Tow Hitch	1
23	SZ6001205	1/2" x 3-1/2" Bolt, Nut and Lockwasher	1
24	SZ2016121	No. 3 Wood Intake Bearing	1
34	SZ0211282	Undercarriage Axle (82")	1
35R	SZ0318119	Undercarriage Lift Arm (119"), Right Rear	1
35L	SZ0319119	Undercarriage Lift Arm (119"), Left Rear	1
36	SZ0315102	Undercarriage Lower Arm (102"), Right	1
37	SZ0317102	Undercarriage Lower Arm (102"), Left	1
40	SZ6003821	3/8" U-bolt w/ Nut and Lockwasher	4
41	SZ0211459	Undercarriage Pivot Rod (59-1/2")	1
42	SZ6001402	1/4" x 2" Cotter Pin w/ 1" x 14 ga Bushing	2
43	SZ0116615	15" Wheel (6 Bolt)	2
44	SZ1630343	343" Driveline Shield	1
45	SZ0211115	Undercarriage Spindle w/ 6 Bolt Hub Assembly, Bolt-in	2
47	SZ6003115	Driveline Shield Mount Screw	14
48	SZ6003801	3/8" x 2-1/4" Bolt, Nut and Lockwasher	5
49	SZ2038221	Brake Winch - K1550	1
50	SZ0218480	Track Car w/ Sheave and Cable Anchor	1
53	SZ6003165	3/16" x 1-1/2" Cotter Pin	4
56	SZ0212530	1/4" Aircraft Cable (28 ft)	1
	SZ6009104	1/4" Cable Thimble	1
57	SZ6003104	1/4" Cable Clamp	2
59	SZ6001203	1/2" x 3" Bolt, Nut and Lockwasher	2
60	SZ2018043	Bearing (Head Drive)	4
61	SZ6003807	3/8" x 3/4" Bolt, Nut and Lockwasher	12
62	SZ65062MSCI000	Flange Housing for 8043 Bearing	16

*Galvanized

Ref No.	Part No.	Description	Qty
63	SZ0040622	No. 60-22 Tooth Sprocket (Driveline)	1
64	SZ0040635	No. 60-35 Tooth Sprocket (Flighting before 1997)	1
	SZ0042630	No. 60-30 Tooth Sprocket (Flighting 1997 and Later)	1
65	SZ6001825	3/8" x 2-1/2" Spiral Expand Pin	2
66	SZ0232514	1-1/4" x 14 ga Machine Bushing	4
67	SZ0043655	No. 60 Chain, 52 Pitch w/ Connector (Before 1997)	1
	SZ0043652	No. 60 Chain, 55 Pitch w/ Connector (1997 and Later)	1
68	SZ8482235	Head Drive, Face Plate for 22-35 Sprocket Combination (Before 1997)	1
	SZ8972230	Head Drive, Face Plate for 22-35 Sprocket Combination (1997 and Later)	1
69	SZ8481208	Head Cap Band	1
70	SZ6005617	5/16" x 1-1/2" Bolt, Nut and Lockwasher	1
71	SZ8401809	Access Plug	1
73	SZ2010043	1-1/4" Steel Bearing w/ Set Screw (Driveline)	5
	SZ9965062	Flange Housing for 1-1/4" Steel Bearing	10
	SZ650PSB206228	Replacement 1-1/4" Wood Bearing (2 Pieces)	*
	SZ992018881001	Replacement Flange Housing (Slotted for in place installation)	*
75	SZ6003807	3/8" x 3/4" Bolt, Nut & Lockwasher	10
76	SZ0168230	540 RPM Gear Box, 1:1 Ratio, 1-1/4" Diameter Shaft	1
77	SZ6001575	1/2" x 3/4" Bolt & Lockwasher	8
78	SZ1629350	PTO Gear Box Shield	1
81	SZ0161272	72" Implement Input Driveline	1
82	SZ6005625	5/16" x 2-1/2" Spiral Pin	1
85	SZ1628815	IID Hanger	1
86	SZ6003801	3/8" x 1" Bolt, Nut & Lockwasher	1
87	SZ6001245	1/2" x 4-1/2" Grade 2 Flighting Bolt w/ Machine Bushings & Self Locking Nut	1
88	SZ4127886	Driveline Coupler	2
89	SZ6001802	3/8" x 1-3/4" Spiral Expand Pin	4
91	SZ0931293	Intake Cage w/ Skid	1
94	SZ6001240	1/2" x 4" Bolt, Nut & Lockwasher	4
110	SZ9900694	Relief Door	1
111	SZ60038252	3/8" x 2-1/2" Bolt & Double Nut	1
112	SZ6003822	3/8" x 2" Bolt & Double Nut	1
113	SZ80.500X5.7	1/2" x 5-3/4" Spring	2
118	SZ2029609	Track Car Stop Pin	1
119	SZ6003615	3/16" x 1-1/2" Cotter Pin	1
120	SZ2029604	Stop Flag Sign	2
121	SZ2029605	Stop Lift Flag Arm Assembly	2

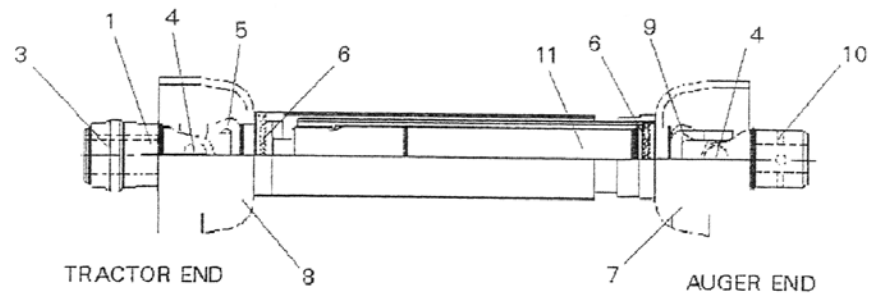
*As needed

Ref No.	Part No.	Description	Qty
122	SZ6003531	5/32" x 1-1/4 Cotter Pin	2
123	SZ6001875	3/16" x 3/4" Bolt, Nut & Lockwasher	4
126	SZ6005611	5/16" x 1" Grade 5 Bolt, Nut & Lockwasher	2
128	SZ0219860	Spring, Stop Lift Sign	2
130	SZ0116021	6 Bolt Hub w/ Cups	2
131	SZLM48510	Inner Bearing Cup	2
132	SZ0203549	Grease Seal	2
133	SZLM48548	Inner Bearing Cone	2
134	SZWB10000	Wheel Bolt	12
135	SZDC13	Dust Cap	2
136	SZLM67048	Outer Bearing Cone	2
137	SZLM67010	Outer Bearing Cup	2
138	SZ6002X15016WA	2" x 15/16" Spindle Washer	2
139	SZ600NUT0SLOT0	Slotted Spindle Nut	2
140	SZ66C5/32X21/4	5/32" x 2-1/4" Cotter Pin	2
141	SZ29700	Owner's Manual Container	1
142	SZ297002	Owner's Manual Container Mounting Bracket	2
143	SZ6002575	1/4" x 3/4" Bolt, Nut & Lockwasher	2
145	SZ0163714	14" x 3 groove x 1-1/4" Bore Pulley	1
146	SZ01125175	1/4" x 1-3/4" Key	1
147	SZ2221668	68" V-Belt	3
148	SZ5848015	Tension Adjustment Bolt	2
149	SZ51380811	Shield	1
150	SZ6003807	3/8" x 3/4" Bolt, Nut & Lockwasher	3
151	SZ5138083	Shield Support Bar	1
152	SZ5931267	HDE Motor Mount Bracket	1
153	SZ6001201	1/2" x 1" Bolt, Nut & Lockwasher	2
154	SZ2031221	3 Hole Clamp	2
155	SZ6003805	3/8" x -1/4" Bolt, Nut & Lockwasher	9
	SZ6003817	3/8" x 1-3/4" Bolt, Nut & Lockwasher	4
157	SZ5938082	Inner Pulley Shield	1
158	SZ5938166	HDE Motor Mount w/ Slides	1
159	SZ1629354	Gear Box Shield	1

Parts List - Decals (decal location drawing available upon request)

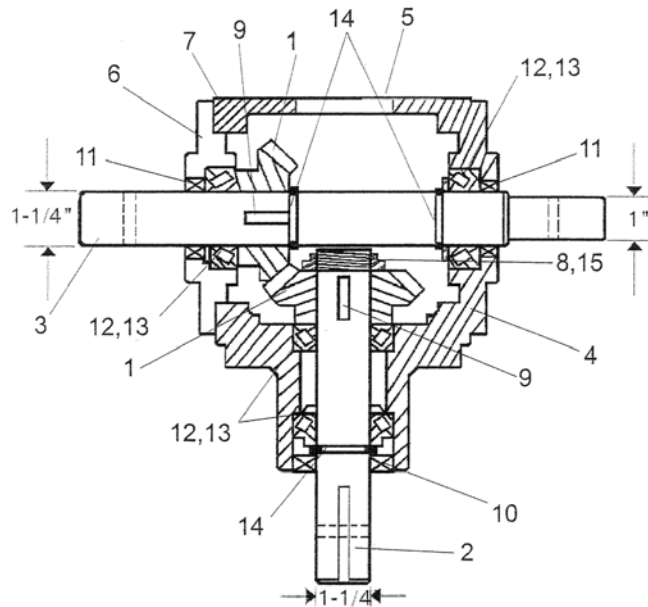
Part No.	Description	Qty
SZ06001	Made in the USA	1
SZ06010	"WARNING" Do not operate the unit before reading the operator's manual	1
SZ06018	"NOTICE" Do not operate when empty during break-in period	1
SZ06023	"WARNING" Keep shield in place during operation	1
SZ06025	NOTICE" Use a 5/16" diameter Grade 2 Bolt	1
SZ06051	"DANGER" Rotating Flighting	3
SZ06056	FEMA	1
SZ06057	Grease Gun Silhouette	1
SZ06059	"WARNING" Contact with moving parts may result in a serious injury or death	1
SZ06075	"DANGER" Shield missing	2
SZ06078	"NOTICE" Avoid over feeding	1
SZ06081	"STOP LIFT"	2
SZ06112	"NOTICE" Gear box oil level must be checked	1
SZ06527	"DANGER" Electrocutation hazard	1
SZ06528	"NOTICE" Do not tow over	1
SZ000113	FARM KING logo for red augers	2
SZ000110	FARM KING logo for galvanized augers	2
	1234 for red augers	2
	1234 for galvanized augers	2
SZ000116	Feterl Original	2

Parts List - PTO 540 RPM Drive



Ref No.	Part No.	Description	Qty
	SZ0161272	Complete IID w/ 5/16" Cross Hole - 72" Closed Length	1
		(see whole goods)	
	SZ0161272	Tractor Half w/ Shield (Shaft)	1
	SZ016127215	Machine Half w/ Shield (Tube)	1
1	SZ18231206	12N 1-3/8" 6 Spline Ball Type Snap Hitch Yoke	1
3	SZ02010300	Ball Type Snap Hitch Repair Kit, Less Shield	1
4	SZ302-1200	12N Cross & Bearing Kit, Complete	2
5	SZ188-12721	1" x 1-1/8" Rectangular Shaft w/ 12N Yoke - 26-3/4" Long	1
6	SZ128-1200	12N Shield Bearing, Ring & Washer Kit	2
7	SZ301-12721	Inner Steel Shield (2-1/2" O.D.) w/ Notched Bell - 52-7/16" Long	1
8	SZ301-14720	Outer Steel Shield (2-3/4" O.D.) w/ Bell - 24-1/4" Long	1
9	SZ186-12721	Outer Torque Tube w/ 12N Yoke & Slip Sleeve - 51-3/4" Long	1
10	SZ184-12201	12N Yoke - 1-1/4" Round w/ 5/16" Cross Hole	1

Parts List - SZ0168230 - Prairie Gear 6005 Gear Box



Ref No.	Part No.	Description	Qty
	SZ0168230	Prairie Gear w/ 1-1/4" x 1-1/4" x 1" - 5/16" Pin Hole	1
1	SZPG-1207	Gear - 17 Tooth	2
2	SZPG-4645	Input Shaft - 5/16" Cross Hole	1
3	SZPG-4644	Output Shaft - 5/16" Cross Hole	1
4	SZPG-1024	Case	1
5	SZPG-1154	Case Cover	1
6	SZPG-1121-1	Cap - Output Shaft	1
7	SZPG-1511	Shim - .005	*
	SZPG-1512	Shim - .0075	*
	SZPG-1513	Shim - .010	*
8	SZPG-1600	Snap Ring	1
9	SZPG-1651	Key	2
10	SZPG-1472	Grease Seal - Input Shaft	1
11	SZPG-1471	Grease Seal - Output Shaft	1
12	SZLM67010	Bearing Cup	4
13	SZLM67048	Bearing Cone	4
14	SZPG-1603	Snap Ring	3
	SZPG-1872	3/8" Pipe Plug	1
	SZPG-1850	1/4" Pipe Plug	1
	SZPG-1864	3/8" - 1/4" Pipe Bushing	1
	SZPG-1856	Pressure Relief Vent	1
15	SZPG-1805	Washer	3

*As needed

IDENTIFICATION: Cast iron case, Prairie Gear, 1023 is printed on the case.

Gearbox is shipped dry from the factory.

Add No. 90 gear lube until 1/2 full.

Farm King Limited Warranty

This document limits your warranty rights.

Base Limited Warranty

Buhler Industries Inc. provides this warranty only to original retail purchasers of its product. Buhler Industries Inc. warrants to such purchasers that all Buhler Industries Inc. manufactured parts and components used and serviced as provided for in the Operator's Manual shall be free from defects in materials and workmanship for a period following delivery to the original retail purchaser of 12 months (80 days for commercial applications). This limited warranty applies only to those parts and components manufactured by Buhler Industries Inc. Parts and components manufactured by others are subject to their manufacturer's warranties, if any.

Buhler Industries Inc. will fulfill this limited warranty by, at its option, repairing or replacing any covered part that is defective or is the result of improper workmanship, provided that the part is returned to Buhler Industries Inc. within thirty (30) days of the date that such defect or improper workmanship is, or should have been, discovered. Buhler Industries Inc. reserves the right to either inspect the product at the buyer's location or have it returned to the factory for inspection. Parts must be returned through the selling representative and the buyer must prepay transportation charges.

Buhler Industries Inc. will not be responsible for repairs or replacements that are necessitated, in whole or part, by the use of parts not manufactured by or obtained from Buhler Industries Inc. Under no circumstances are component parts warranted against normal wear and tear. There is no warranty on product pump seals, product pump bearings, rubber product hoses, pressure gauges, or other components that require replacement as part of normal maintenance. Also: Buckets and Bucket Tines carry no warranty, Bent Spears carry no warranty, Snowblower Fan Shafts carry no warranty, Mower Blades carry no warranty, Portable Auger Parts Have Two (2) Year Warranty, Loader Parts Have Two (2) Year Warranty. The purchaser is solely responsible for determining suitability of goods sold. This warranty is expressly in lieu of all other warranties expressed or implied. Buhler Industries Inc. will in no event be liable for any incidental or consequential damages whatsoever. Nor for any sum in excess of the price received for the goods for which liability is claimed.

Repair Parts Limited Warranty

Buhler Industries Inc. warrants Farm King replacement parts purchased after the expiration of the Buhler Industries Inc. Limited Warranty, and used and serviced as provided for in the Operator's Manual, to be free from defects in materials or workmanship for a period of thirty (30) days from the invoice date for the parts. Buhler Industries Inc. will fulfill this limited warranty by, at its option, repairing or replacing any covered part that is defective or is the result of improper workmanship, provided that the part is returned to Buhler Industries Inc. within thirty (30) days of the date that such defect or improper workmanship is, or should have been, discovered. Such parts must be shipped to Buhler Industries Inc. at the purchaser's expense.

What is Not Covered

Under no circumstances does this limited warranty cover any components or parts that have been subject to the following: negligence; alteration or modification not approved by Buhler Industries Inc.; misuse; improper storage; lack of reasonable and proper maintenance, service, or repair; normal wear; damage from failure to follow operating instructions; accident; and/or repairs that have been made with parts other than those manufactured, supplied, and or authorized by Buhler Industries Inc.

Authorized Dealer and Labor Costs

Repairs eligible for labor under this limited warranty must be made by Buhler Industries Inc. or an authorized Farm King dealer. Buhler Industries Inc. retains the exclusive discretion to determine whether it will pay labor costs for warranty repairs or replacements, and the amount of such costs that it will pay and the time in which the repairs will be made. If Buhler Industries Inc. determines that it will pay labor costs for warranty work, it will do so by issuing a credit to the dealer's or distributor's account. Buhler Industries Inc. will not approve or pay invoices sent for repairs that Buhler Industries Inc. has not previously approved. Warranty service does not extend the original term of this limited warranty.

Warranty Requirements

To be covered by warranty, each Farm King new product must be registered with Buhler Industries Inc. within thirty (30) days of delivery to original retail purchaser. If the customer decides to purchase replacement components before the warranty disposition of such components is determined, Buhler Industries Inc. will bill the customer for such components and then credit the replacement invoice for those components later determined to be covered by this limited warranty. Any such replacement components that are determined not be covered by this limited warranty will be subject to the terms of the invoice and shall be paid for by the purchaser.

Warranty Claims:

Warranty requests must be prepared on Buhler Industries Inc. Warranty Claim Forms with all requested information properly completed. Warranty Claims must be submitted within a thirty (30) day period from date of failure repair.

Warranty Labor:

Any labor subject to warranty must be authorized by Buhler Industries Inc. The labor rate for replacing defective parts, where applicable, will be credited at 100% of the dealer's posted shop rate. Defective parts will receive an extra 10% discount to assist with freight or other incidental costs.

Exclusive Effect of Warranty and Limitation of Liability

TO THE EXTENT PERMITTED BY LAW, BUHLER INDUSTRIES INC. DISCLAIMS ANY WARRANTIES, REPRESENTATIONS, OR PROMISES, EXPRESS OR IMPLIED, AS TO THE QUALITY, PERFORMANCE, OR FREEDOM FROM DEFECT OF THE COMPONENTS AND PARTS COVERED BY THIS WARRANTY AND NOT SPECIFICALLY PROVIDED FOR HEREIN.

TO THE EXTENT PERMITTED BY LAW, BUHLER INDUSTRIES INC. DISCLAIMS ANY IMPLIED WARRANTIES OF MERCHANTABILITY AND FITNESS FOR A PARTICULAR PURPOSE ON ITS PRODUCTS COVERED HEREIN, AND DISCLAIMS ANY RELIANCE BY THE PURCHASER ON BUHLER INDUSTRIES INC.'S SKILL OR JUDGMENT TO SELECT OR FURNISH GOODS FOR ANY PARTICULAR PURPOSE. THE PURCHASER'S ONLY AND EXCLUSIVE REMEDIES IN CONNECTION WITH THE BREACH OR PERFORMANCE OF ANY WARRANTY ON PRODUCTS MANUFACTURED BY BUHLER INDUSTRIES INC. ARE THOSE SET FORTH HEREIN. IN NO EVENT SHALL BUHLER INDUSTRIES INC. BE LIABLE FOR INCIDENTAL OR CONSEQUENTIAL DAMAGES (INCLUDING, BY WAY OF EXAMPLE ONLY AND NOT LIMITATION, LOSS OF CROPS, LOSS OF PROFITS OR REVENUE, OTHER COMMERCIAL LOSSES, INCONVENIENCE, OR COST OF REPLACEMENT OF RENTAL EQUIPMENT). IN NO EVENT SHALL FARM KING'S CONTRACT OR WARRANTY LIABILITY EXCEED THE PURCHASE PRICE OF THE PRODUCT.

(Note that some provinces or states do not allow limitations on how long an implied warranty lasts or the exclusion or limitation of incidental or consequential damages, so the above limitations and exclusion may not apply to you.) This warranty gives you specific legal rights and you may also have other rights, which vary from province to province or state to state.

Buhler Industries Inc. neither assumes nor authorizes any person or entity, including its selling representatives, to assume any other obligations or liability in connections with the sale of covered equipment, or to make any other warranties, representations, or promises, express or implied, as to the quality, performance, or freedom from defect of the components and parts covered herein. No one is authorized to alter, modify, or enlarge this limited warranty, or its exclusions, limitations and reservations.

Corrections of defects and improper workmanship in the manner, and for the applicable time periods, provided for herein shall constitute fulfillment of all responsibilities of Buhler Industries Inc. to the purchaser, and Buhler Industries Inc. shall not be liable in negligence, contract, or on any other basis with respect to the subject equipment.

This limited warranty is subject to any existing conditions of supply which may directly affect Buhler Industries Inc.'s ability to obtain materials or manufacture replacement parts.

Buhler Industries Inc. reserves the right to make improvements in design or changes in specifications to its products at anytime, without incurring any obligation to owners of units previously sold.

Government Legislation:

Warranty terms and conditions are subject to provincial or state legislation.

Important Note: This warranty does not apply to rentals.

Serial Number Location

The following page contains a space for you to record the information about your portable grain auger found on this plate. Please record this information here for future reference.

NOTE: The auger serial number is located on the second upright support on the lower cradle.

Farm King Number: _____

Farm King Serial Number: _____

Component Serial Numbers:

Manufacturer	Part Number	Serial No.	Notes:

www.farm-king.com

Farm King

1330 43rd Street NW
Fargo, ND USA 58102
Ph.: 701.282.7014 | Fax: 701.282.5865
Toll Free: 888.524.1004
E-mail: info@buhler.com
www.farm-king.com

Equipment shown is subject to change without notice.
©2010 Buhler Trading Inc. Printed in USA. TSX:BUI

bühler | a division of Buhler Industries Inc.