

Farm King

OPERATOR AND PARTS MANUAL

Conventional Auger

1455 Model



Table of Contents

Introduction	4
Safety.....	5
• Safety	5
• General Safety.....	5
• Operation Safety	5
• Transport Safety	6
• Electrical Safety.....	6
• Safe Operation Instructions	7
Assembly.....	8
• 6 Bolt Hub Assembly	9
• Head Drive Assembly	9
• Assembly Instructions	10
• Assembly Instructions - 1000 RPM PTO Drive.....	13
• Assembly Instructions - Electric Drive	14
Parts.....	15
• 1455 Parts	15
• Decals.....	19
• 1000 RPM PTO Drive.....	20
• 906 Gear Box	21
Warranty	22

Manufacturer's statement: for technical reasons Buhler Trading Inc. reserves the right to modify machinery design and specifications provided herein without any preliminary notice. Information provided herein is of descriptive nature. Performance quality may depend on grain type, grain moisture, auger elevation and other factors.

Introduction

To the owner

Thank you for purchasing a Farm King 1455 Conventional Auger.

Farm King Conventional Augers have been designed to provide many years of profitable and dependable service. To assure maximum performance of your auger, it is mandatory that you thoroughly study the operator's manual and follow its recommendations. **PLEASE EXAMINE YOUR UNIT CLOSELY AND READ THE ASSEMBLY INSTRUCTIONS TO SEE THAT YOUR UNIT IS PROPERLY ASSEMBLED.** Proper operation and maintenance are essential for safety, to maintain performance, and to maximize the life of the auger. When ordering parts or inquiring about the auger, you must include the serial number which is located on the second upright of the lower truss support.

It is the owner's responsibility to:

Operate and maintain this auger in a safe manner and in accordance with all applicable local, state, and federal codes and/or laws.

Make sure each and every operator has read the operator's manual and thoroughly understands safe and correct operating procedures.

Make sure unauthorized people do not operate or are not in the vicinity of the auger while it is in operation.

Maintain the auger in accordance with the maintenance schedule in this manual. Furthermore, as additional technology becomes available, the owner is responsible for improving the safety and reliability of the system.

Fulfill all warranty obligations so as not to void the warranties. Verify the unit is warranty registered prior to making any warranty claims. The warranty section at the back of this manual outlines the warranty policy of Farm King.

Abuse or modifications to the auger that change the performance other than original factory specifications void the warranty.

Farm King reserves the right to make product improvements to the equipment at any time. It shall not be obligated to make such changes to machines already in service.

*The owner, manager and/or operator is responsible for safe, accurate operation and maintenance of the Farm King 1455 Conventional Auger.

Safety

Safety Instructions

An Operator's Manual is furnished with each grain auger. Additional or replacement manuals are available. Do not operate the unit before reading and understanding the Operator's Manual. Understand the operating procedures below to avoid personal injury or death.

The alert symbol is used throughout this manual. It indicates attention is required and identifies hazards. Follow the recommended precautions.



The safety alert symbol means...
ATTENTION! BECOME ALERT! YOUR SAFETY IS INVOLVED!

General Safety

An auger can collapse and fall on the operator or bystander causing serious injury or death. Always support the discharge end when the following conditions occur:

- While unit is in operation.
- When dismantling the undercarriage.

The accidental tipping or upending of an auger may cause serious injury or death to the operator or bystanders. When the grain flow is shut off to the auger an overbalance situation can occur, suddenly raising the intake auger. Adequate anchorage of the intake end or support from bin is required at all times, especially in the following conditions:

- While unit is in operation.
- When moving the auger.
- When raising or lowering the auger.

Maximum elevation is determined by interference between track car and auger structure. The operator must stop raising the auger before track car reaches the end of the track. Continued lift will cause failure of the winch, lift cable or auger supports, causing auger to collapse, which can result in serious injury or death.

Contact with rotating flighting will cause serious injury or death.

- Do not stand on the intake cage.
- Keep hands, feet and clothing away from the intake and discharge flighting.

Operation Safety

Intentional or accidental contact with moving parts may result in a serious injury or death. Observe the following operating procedures.

- Keep all safety devices in place.
- Do not adjust, service, lubricate, clean, unclog or move the mechanism until all power is shut off.
- Keep hands, feet and clothing away from moving parts while in operation.
- Keep off the equipment at all times.
- Make certain that everyone is clear of the equipment at all times.

- Make certain that everyone is clear of the equipment before applying power.
- Keep children, visitors and all untrained personnel away from machine while in operation.

Transport Safety

Care must be used when moving or transporting the auger. Accidental tipping or upending of an auger can occur and may cause serious injury or death to the operator or bystanders.

- Never move the auger manually.
- Be sure auger is empty before attempting to move.
- Never push on the undercarriage of the auger.
- Tow the auger at slow speed and in the down position.
- Always test the intake end of the auger for downward weight when attaching or releasing.
- Never raise the hitchpoint higher than the vehicle's tow bar.

Electrical Safety

Contact with overhead wires may cause electrocution of the operator or bystanders. Contact with overhead obstructions may cause collapse or tipping of the auger or may cause the overhead obstruction to fall. In both cases the operator or bystander can be seriously injured or killed.

Observe the following:

- Tow the auger at slow speed and in the down position.
- Raise or lower the auger slowly.

Electrical malfunction can cause electrocution of the operator or bystanders.

Observe the following rules.

- Disconnect power and electrical driven units before resetting motor overloads.
- Do not operate electric motor equipped units until unit is properly grounded.

Safe Operating Instructions

There are several decals on the grain auger and its attachments with safety instructions.

Read and understand these safety alerts before operating.

The shielding has been removed in some of the illustrations for parts demonstration only.

Install all shields before operating the unit.



DANGER

The operator must stop raising the auger before the extending member is fully extended. Continued lift will cause failure of the winch, lift cable or auger supports, causing the auger to collapse which can result in physical damage, personal injury or death.



DANGER

Always disconnect the hydraulic hoses from the tractor after the auger is raised or lowered to desired position. Inadvertent movement of the hydraulic valve on the tractor may cause damage or personal injury.



DANGER

Winch must be aligned with cable so that the cable does not stack on one side of the drum. Do not allow the cable to become slack on winch drum. The cable may recoil and slip over the side of the drum. In either case, the cable will wind on drum spindle and cause winch or cable to fail, allowing auger to drop, which may cause physical damage to the auger or personal injury.



DANGER

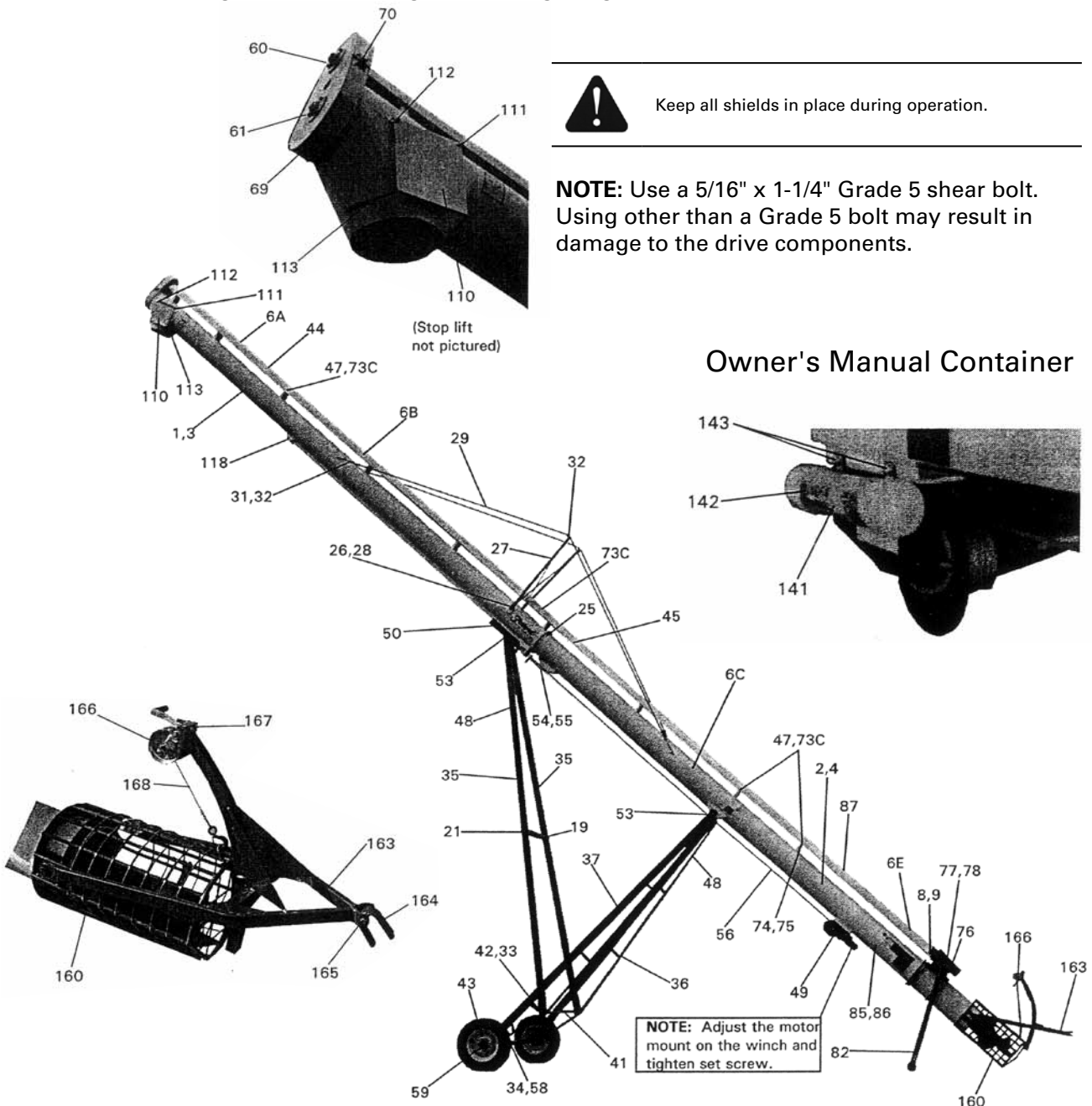
Never check for hydraulic leaks using any part of the human body. Oil injection can occur causing serious injury.

Assembly Instructions

Shear bolt failure indicates an overload on the auger.

To remedy the problem:

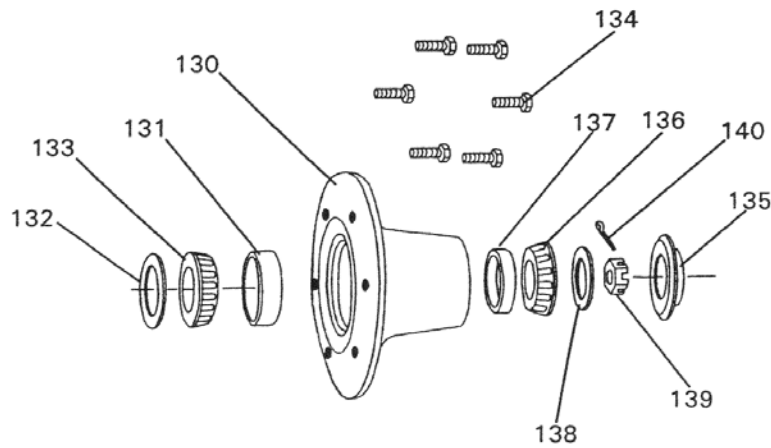
1. Reduce flow into the intake of the auger. Wet grain requires more power to operate the auger. The flow must be reduced in wet grain to prevent plugging and/or shear bolt failure.
2. Make certain the auger is running at the correct speed. Run the tractor PTO at 1000 RPM for the correct flighting speed. Slowing the auger will allow it to overload and plug.
3. Check for foreign objects (sacks, cans, rags, etc.) in the tube. Objects may go part way up the tube and wedge between the flights, blocking the grain flow.



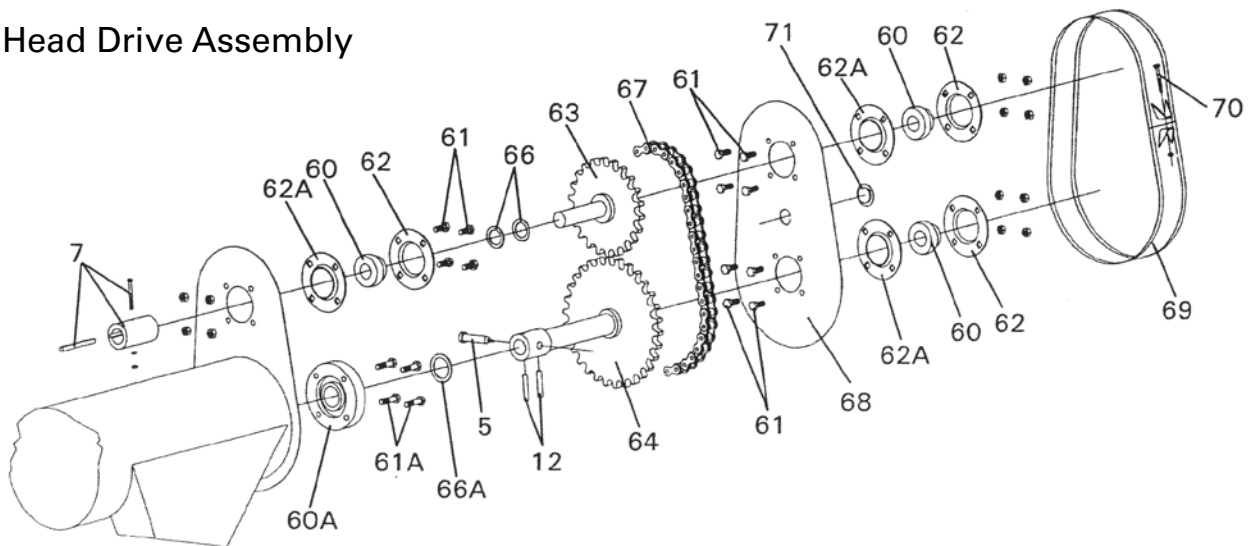


Keep all shields in place during operation.

6 Bolt Hub Assembly

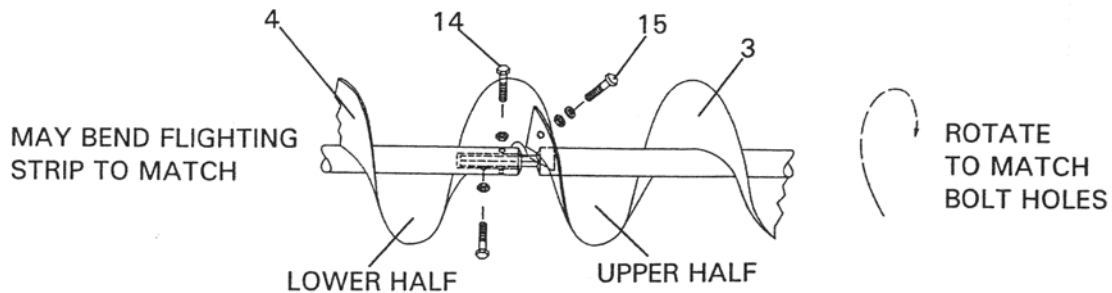


Head Drive Assembly



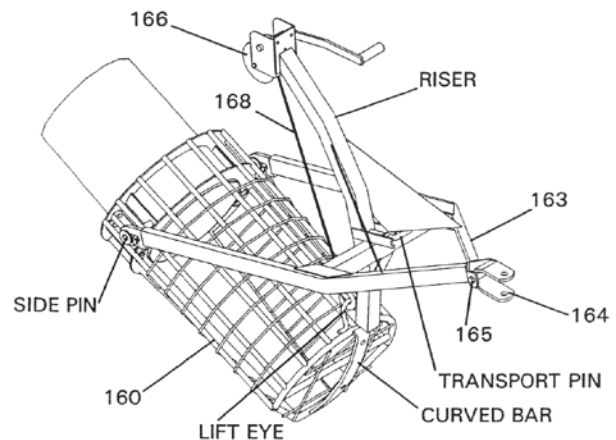
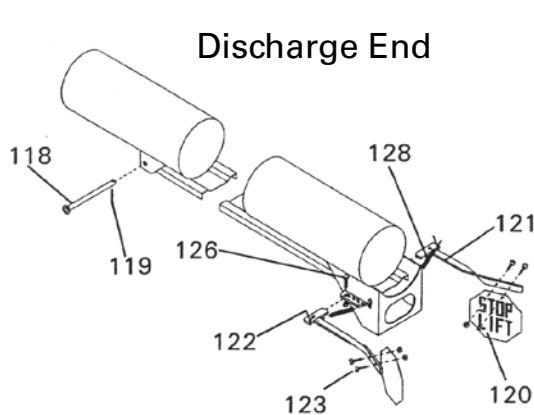
NOTE: Keep 1/16" gap between the self locking nut and the flighting core on the 3/4" x 5" flighting drive bolt (Ref. #5) to keep from crushing the core.

1. Lay the top (Ref. #1) and bottom (Ref. #2) auger tubes flat with center flange joint spaced two feet apart.
2. Fasten the flighting assemblies together with two fine thread nut and bolt combinations (Ref. #14) and one socket head screw, nut and lockwasher combination (Ref. #15). Fasten the flighting assemblies so that the lower assembly (Ref. #4) overlaps the upper assembly (Ref. #3).



3. Remove track stop pin (Ref. #118) from the end of the track, install track car (Ref. #50) onto the top end of the track (with the end containing the cable anchor towards the intake end of the auger), and then **replace track stop pin prior to using the auger. Failure to do so could cause the auger to collapse.** Place the driveline coupler (Ref. #7) onto the driveline section (Ref. #6C) using the 3/8" x 4-1/2" key and the 1/4" x 2-3/4" bolt, nut and lockwasher. **NOTE:** The driveline coupler must be installed before the tubes are joined.
4. Be sure tubes are straight. Slide the tubes together and connect at flange ring with the 1/2" x 1-1/2" Grade 5 bolt, nut and lockwasher combinations (Ref. #25). **NOTE: DO NOT fully tighten bolts in flange ring connection the first time. Work around the flange at least twice to gradually pull the connection together. Fully tightening the bolts on one side will pull the auger tubes out of alignment.** Be sure the driveline coupler (Ref. #7) and the 3/8" x 4-1/2" key slide onto the driveline sections (Ref. #6B and #6C). Install the driveline shield splice (Ref. #45).
5. Mount the cable truss riser (Ref. #27) using 1/2" x 1" bolt, nut and lockwasher combinations (Ref. #26). Install the truss cables (Ref. #29) using two cable clamps (Ref. #32) and one cable thimble (Ref. #31) on the upper cable ends. Also, cable clamps (Ref. #32) are used to attach cable to the top of the truss risers. Tighten the cables to keep auger straight.
6. Clamp the intake cage. (Ref. #160) to the lower tube using 1/2" x 4" bolt, nut and lockwasher combinations (Ref. #162). Be sure to have 1/2" clearance between the flight core and the bearing. **NOTE:** Thrust load must be carried at the top of the auger.
7. Assemble the undercarriage.
 - Attach the front support arms (Ref. #36 and #37) to the front undercarriage mount by sliding arms over the rod and inserting two 3/16" x 1-1/2" cotter pins (Ref. #53). Secure the arms by inserting two 3/8" x 1" bolt, nut and lockwasher combinations (Ref. #48) into the cross bracing of the arms.
 - Attach the rear support arms (Ref. #35) to the track car (Ref. #50) by using two 3/16" x 1-1/2" cotter pins (Ref. #53). Secure the arms by inserting two 3/8" x 1" bolt, nut and lockwasher combinations (Ref. #48) into the cross bracing.

- Connect the rear arms to the front arms and the 1-7/8" pivot rod (Ref. #41) by lifting the auger tube, moving the rear arms so that the sleeves on all the arms line up with the pivot rod, and inserting two 1-5/8" x 6" pivot rod pins (Ref. #42). Insert two 3/8" x 2-1/2" bolt, nut and lockwasher combinations (Ref. #33) through the cross holes of the pivot rod and pivot rod pins.
 - Connect the axle (Ref. #34) to the front arms by inserting the undercarriage spindle and hub through the arms and into the axle. Place a 1/2" x 3-1/2" bolt, nut and lockwasher combination (Ref. #58) through the cross holes of the axle and spindle. Mount the wheels.
8. Attach the worm winch (Ref. #49) to the mount on the underside of the lower tube using the 1/2" x 1-1/4" carriage bolt, nut and lockwasher combinations (Ref. #49). Rotate the motor mount until ports are on the correct side, then tighten the set screw on the motor mount (Ref. #49).
 9. Fasten the lift cable (Ref. #56) to the top of the winch drum (Ref. #49), thread it over the support arm cross brace by the lower undercarriage mount, and go around the top sheave in the track car (Ref. #50). Thread the cable around the sheave by the tube splice, back around the lower sheave in the track car, and fasten to the cable anchor by the tube splice with a thimble (Ref. #55) and two cable clamps (Ref. #54).
 10. Bolt the Stop Lift Sign (Ref. #120) to the Stop Lift Arm (Ref. #121) with the 3/16" x 3/4" bolt, nut and lockwasher combinations (Ref. #123). The lettering must face the auger tube when the arms are parallel to the tube. These signs will swing out when the track car approaches the end of the track. **NOTE:** The operator **MUST** stop raising the auger when the signs swing out.



11. Bolt the hand crank winch (Ref. #166) to the riser on the lift tongue (Ref. #163) using the 3/8" x 1" bolt, nut and lockwasher combination (Ref. #167). Mount the tow hitch (Ref. #164) to the lift tongue using the 1/2" x 4-1/2" bolt, nut and lockwasher combination (Ref. #165). The tow hitch must pivot freely. Attach the lift tongue winch cable (with hook) (Ref. #168) to the winch. **NOTE:** Always engage transport pin before moving the auger. Never move the auger with only the lift cable supporting the auger

12. Mount the lift tongue to the intake cage by hooking the lift tongue onto the side pins on the intake cage. Lower the tow hitch end of the lift tongue until the curved riser is beside the curved bar on the end of the intake cage. Attach the lift cable into the lift eye located on the end of the intake cage. Lift the intake cage with the winch until the transport pin on the lift tongue is anchored in one of the holes in the curved bar on the intake cage. **NOTE:** Always engage transport pin before moving the auger.
13. Add No. 90 gear lube to gear box until 1/2 full.

Gearbox is shipped dry from the factory.

14. Mount the Owner's Manual container (Ref. #141) to the worm winch mount (Ref. #49) using the mounting straps (Ref. #142) and the 1/4" x 3/4" bolt, nut and lockwasher combination (Ref. #143). This is provided for the storage of the Owner's Manual and Assembly Instructions.
15. See separate assembly instructions for the different drive packages.



ALERT

Do not operate the auger empty during the break-in period. For the best results, do not full feed the intake for the first 1000 bushels. After break-in, never run auger at slow idle when full feeding the auger.

Assembly Instructions - 1000 RPM PTO Drive

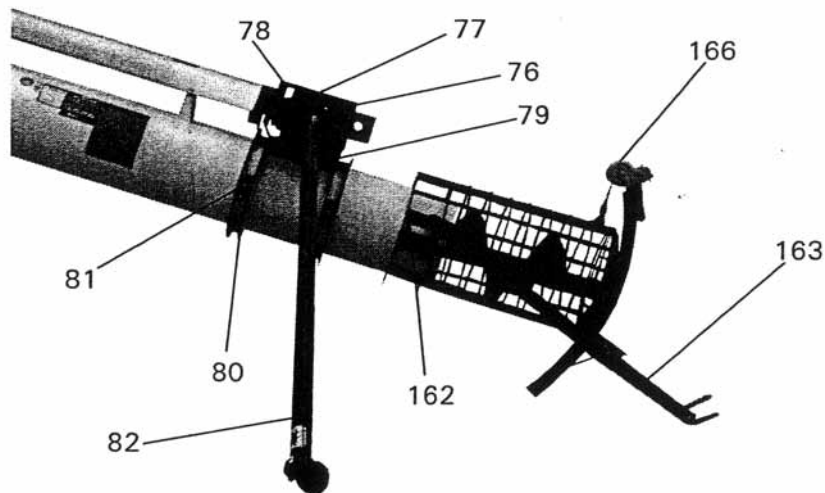
1. Attach the Implement Input Driveline (IID) (Ref. #82) to the gear box with a 5/16" x 1-3/4" key and 1/4" x 2-1/4" spiral pin.
2. Mount the gear box shield (Ref. #78) using 5/8" x 1" bolt and lockwasher (Ref. #77).

NOTE: 1000 rpm drive can be converted to electric drive without changing gearbox.

Gearbox is shipped dry from the factory.

Add No. 90 gear lube until 1/2 full.

NOTE: Use a 5/16" x 1-1/4" Grade 5 shear bolt.
Using other than a Grade 5 bolt may result in damage to drive components.



Assembly Instructions - Electric Drive

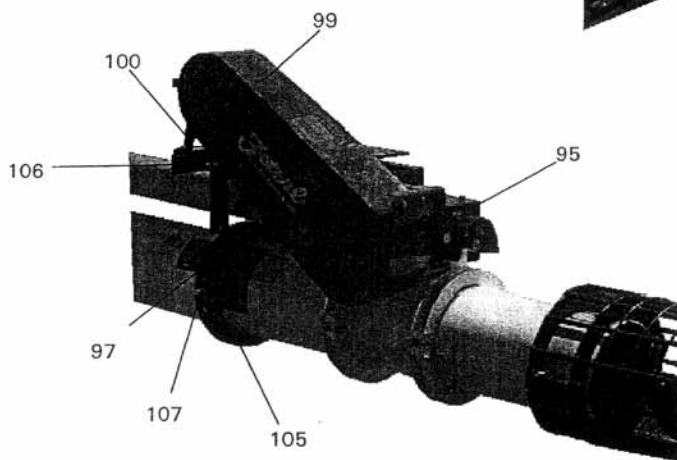
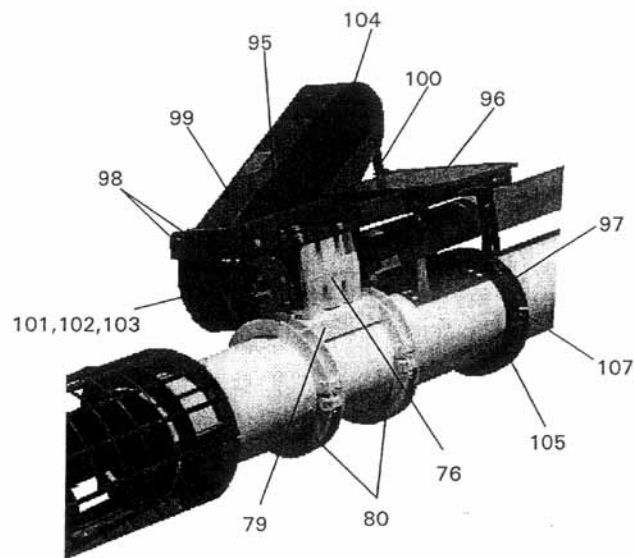
1. Assemble the electric mount top support clamp (Ref. #97) and the lower clamp (Ref. #105) on the tube above the gear box using 1/2" x 4" bolt, nut and lockwasher combinations (Ref. 107).
2. Attach the gear box shield (Ref. #95) and the electric motor mount assembly (Ref. #96) onto the gear box and onto the top support clamp using four 5/8" x 1" bolt and lockwasher combinations (Ref. #77).
3. Mount the 11-3/8" x 4-groove pulley (Ref. #101) onto the gear box using the 5/16" x 2" key (Ref. #103) and the QD bushing (Ref. #102).
4. Mount the belts (Ref. #104). Mount the belt shield (Ref. #99) using the shield support bar (Ref. #100) and the 3/8" x 1" bolt, nut and lockwasher combinations (Ref. #98).

NOTE: This option requires a 7" O.D. x 4-groove pulley for 1750 RPM motor (not furnished).

Gearbox is shipped dry from the factory.

Add No. 90 gear lube until 1/2 full.

NOTE: The shielding has been removed for parts demonstration only. Install all shields before operating the unit.



Parts List - 1455 Conventional Auger

Ref No.	Part No.	Description	Qty
1	SZ145597T19	AugerTube (Top Half) w/ Head & Bearing Brackets	1
2	SZ145597T29	AugerTube (Lower Half)	1
3	SZ14559601	Flighting Assembly (Top Half)	1
4	SZ14559602	Flighting Assembly (Lower Half)	1
5	SZ6007550	3/4" x 5" Grade 5 Flighting Drive Bolt w/ Machine Bushings & Self Locking Nut	1
6A	SZ4127436	Driveline Section 105-1/2" Long (Under Shield)	1
6B	SZ4127415	Driveline Section 216" Long (Under Shield)	1
6C	SZ4127437	Driveline Section 225" Long (Under Shield)	1
6E	SZ4127435	Driveline Section 48" Long (Under Shield)	1
7	SZ4127405	Driveline Coupler	4
	SZ0113845	3/8" x 4-1/2" Key	4
	SZ6002527	1/4" x 2-3/4" Bolt, Nut & Lockwasher	4
8	SZ4957722	60-22 Sprocket w/ 1-1/2" Diameter Keyed Hub	2
	SZ0113820	3/8" x 2" Key	2
9	SZ0043622	No. 60 Double Chain w/ Connector Link	1
12	SZ6007022	7/16" x 2-1/4" Spiral Pin	2
14	SZ6001504	1/2" x 4-1/2" Fine Thread, Bolt and Locknut	2
15	SZ6003878	3/8" x 7/8" Socket Head Screw, Nut & Lockwasher	1
19	SZ71230505	46" Cross Bar Weldment	1
21	SZ6003850	3/8" x 5" Bolt, Nut & Lockwasher	2
25	SZ6001515	1/2" x 1-1/2" Grade 5 Bolt, Nut & Lockwasher	18
26	SZ6001201	1/2" x 1" Bolt, Nut & Lockwasher	2
27	SZ2032320	Cable Truss Riser	1
28	SZ125010	1/2" Hex Nut	2
29	SZ2038526	5/16" x 26' Truss Cable w/ Eyebolt	2
31	SZ6009516	5/16" Cable Thimble	2
32	SZ6003516	5/16" Cable Clamp	6
33	SZ6003827	3/8" x 2-1/2" Bolt, Nut & Lockwasher	2
34	SZ0211105	105" Undercarriage Axle	1
35	SZ71240305	209" Rear Undercarriage Arm	2
36	SZ71230301	169" Front Undercarriage Arm, Right	1
37	SZ71230302	169" Front Undercarriage Arm, Left	1
41	SZ71230303	1-7/8" x 84-3/4" Pivot Rod	1
42	SZ0319302	1-5/8" x 6" Pivot Rod End Pin	2
43	SZ0116615	15" 6 Bolt Wheel	2
44	SZ1630325	325" Top Driveline Shield	1
45	SZ1629310	Driveline Shield Splice	1

Ref No.	Part No.	Description	Qty
47	SZ6003115	3/16"-10 x 1-1/4" Self Starting Shield Screw	22
48	SZ6003801	3/8" x 1" Bolt, Nut, and Lockwasher	5
49	SZ2001090	Worm Winch Assembly	1
	SZ2019201	Hydraulic Motor Mount	1
	SZ3981080A	Hydraulic Motor	1
	SZ6005012	1/2" x 1-1/4" Carriage Bolt, Nut & Lockwasher	4
50	SZ7145001	Track Car w/ Sheave	1
53	SZ6003615	3/16" x 1-1/2" Cotter Pin	4
54	SZ6003516	5/16" Cable Clamp	2
55	SZ6009516	5/16" Cable Thimble	1
56	SZ0215095	5/16" x 95' Winch Cable	1
58	SZ6001205	1/2" x 3-1/2" Bolt, Nut & Lockwasher	2
59	SZ0211115	Undercarriage Spindle & 6 Bolt Hub Assembly, Bolt-In	2
60	SZ2011051	1-1/2" Head Cap Bearing w/ Lock Collar	3
60A	SZ2011055	2" Bearing w/ Piloted Cast Flange Mount	1
61	SZ6001215	1/2" x 1-1/2" Bolt, Nut & Lockwasher	12
61A	SZ6001502	1/2" x 2" Bolt, Nut & Lockwasher	4
62	SZ65080MSCI000	1-1/2" 4 Bolt Bearing Flange	3
62A	SZ9901184	1-1/2" 4 Bolt Bearing Flange w/ Pilot	3
63	SZ4121466	Driveline Extension Shaft w/ Single 100-22 Sprocket	1
64	SZ0431466	Flight Extension Shaft w/ Single 100-30 Sprocket	1
66	SZ0231150	1-1/2" 10 ga Machine Bushing	9
66A	SZ0232010	2" 10 ga Machine Bushing	1
67	SZ0043046	Single No. 100 Chain x 46 pitch w/ Connectors	1
68	SZ8481482	Face Plate w/ Access Hole	1
69	SZ8481402	Head Cap Band	1
70	SZ6005617	5/16" x 1-1/2" Bolt, Nut & Lockwasher	1
71	SZ8401809	Access Plug	1
73	SZ2010243	1-1/2" Wood Bearing	9
73C	SZ651.50SFTCLR	1-1/2" Shaft Collar	2
74	SZ65080MSCI000	1-1/2" 4 Bolt Bearing Flange (Under Shield)	18
75	SZ6001201	1/2" x 1" Bolt, Nut & Lockwasher (Under Shield)	18
76	SZ0169776	1000 RPM Gear Box, 1.81:1 Ratio	1
77	SZ6005811	5/8" x 1" Bolt & Lockwasher	8
78	SZ1621281A	PTO Gear Box Shield	1
79	SZ0311482	Gear Box Mount Weldment	1
80	SZ0311483	Gear Box Lower Clamp	2
81	SZ6000504	1/2" x 4" Bolt, Nut and Lockwasher	4
82	SZ0161472	1000 RPM Implement Input Driveline w/ Shear Clutch	1
	SZ6005613	5/16" x 1-1/4" Grade 5 Shear Bolt & Locknut	1

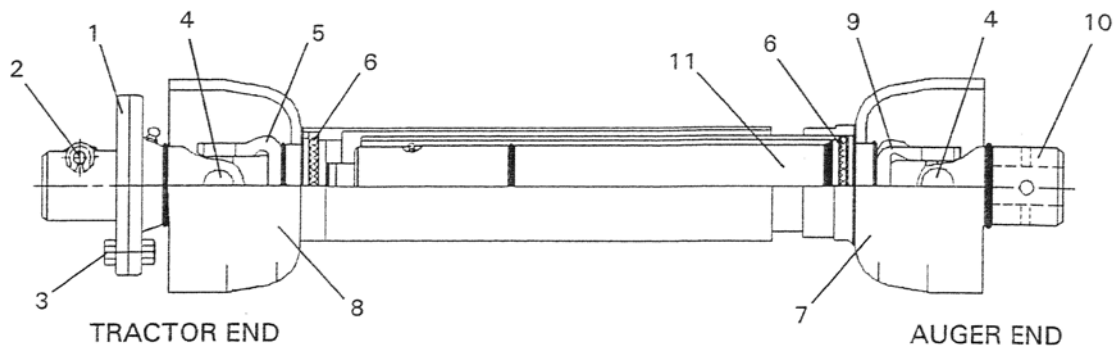
Ref No.	Part No.	Description	Qty
	SZ0113122	5/16" x 1-3/4" Key	1
	SZ60025111	1/4" x 2-1/4" Spiral Pin	1
85	SZ1628815	IID Hanger	1
86	SZ6003801	3/8" x 1" Bolt, Nut & Lockwasher	1
87	SZ1630290	290" Lower Driveline Shield	1
95	SZ5951280	Electric Gear Box Shield	1
96	SZ59512661	Electric Motor Mount Assembly	1
97	SZ1621489	Electric Mount Top Support Clamp	1
98	SZ6003801	3/8" x 1" Bolt, Nut & Lockwasher	4
99	SZ1621286	Electric Belt Shield	1
100	SZ1621287	Belt Shield Support Bar	1
101	SZ0164011	11-38" x 4 Groove Pulley (Under Shield)	1
102	SZ0164137	1-3/8" ID OD Bushing (Under Shield)	1
103	SZ0113122	5/16" x 1-3/4" Key (Under Shield)	1
104	SZ2221670A	70" V Belt, Matched Set of 4 (Under Shield)	1
105	SZ0311483	Lower Support Clamp	1
106	SZ6001201	1/2" x 1" Bolt, Nut & Lockwasher	2
107	SZ6000504	1/2" x 4" Bolt, Nut & Lockwasher	2
110	SZ9901198	Relief Door	1
111	SZ60038252	3/8" x 2-1/2" Bolt & Double Nut	1
112	SZ6003822	3/8" x 2" Bolt & Double Nut	1
113	SZ80.500X5.7	1/2" x 5-3/4" Spring	2
118	SZ2029609	Track Car Stop Pin	1
119	SZ6003615	3/16" x 1" Cotter Key	1
120	SZ2029604	Stop Flag Sign	2
121	SZ2029605	Stop Lift Flag Arm Assembly	2
122	SZ6003531	5/32" x 1-1/4" Cotter Key	2
123	SZ6001875	3/16" x 3/4" Bolt, Nut & Lockwasher	4
126	SZ6005611	5/16" x 1" Grade 5 Bolt & Self Lock Nut	2
128	SZ0219860	Spring, Stop Lift Sign	2
130	SZ0116021	6 Bolt Hub w/ Cups	2
131	SZ100152	Inner Bearing Cup	2
132	SZ0203549	Grease Seal	2
133	SZ100151	Inner Bearing Cone	2
134	SZ60X102X10WHL	1/2" x 1" Wheel Bolts	12
135	SZDC13	Dust Cap	2
136	SZ100125	Outer Bearing Cone	2
137	SZ100126	Outer Bearing Cup	2
138	SZ6002X15016WA	2" x 15/16" Spindle Washer	2
139	SZ600NUT0SLOT0	Slotted Spindle Nut	2
140	SZ6003531	5/32" x 1-1/4" Cotter Pin	2

Ref No.	Part No.	Description	Qty
141	SZ29700	Owner's Manual Container	1
142	SZ297002	Owner's Manual Container Mounting Bracket	2
143	SZ6002575	1/4" x 3/4" Bolt, Nut & Lockwasher	2
160	SZ09314961	14" Intake Cage	1
161	SZ2018121	Wood Intake Bearing	1
162	SZ6000504	1/2" x 4" Bolt, Nut & Lockwasher	4
163	SZ0931497	Lift Tongue Weldment	1
164	SZ4910185	Tow Hitch	1
165	SZ60012045	1/2" x 4-1/2" Bolt, Nut & Lockwasher	1
166	SZ2036221	Lift Tongue Winch	1
167	SZ6003801	3/8" x 1" Bolt, Nut & Lockwasher	3
168	SZ0213005	Lift Tongue Winch Cable w/ Hook	1

Decals (decal location drawing available upon request)

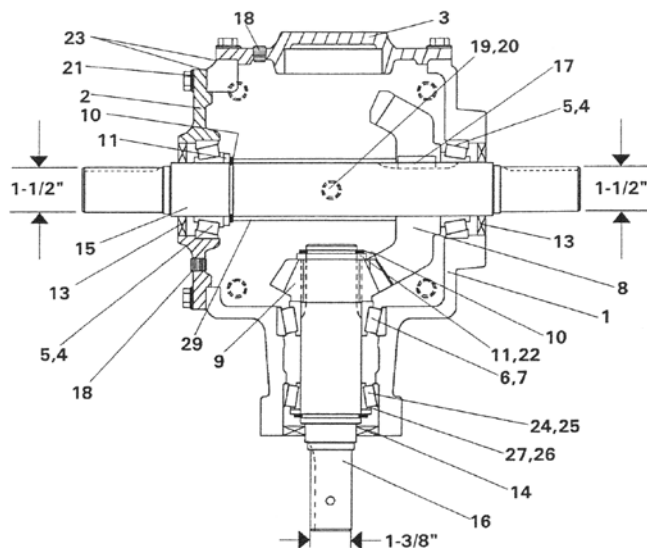
Part No.	Description	Qty
SZ06001	Made in the USA	1
SZ06010	"WARNING" Do not operate the unit before reading the operator's manual	1
SZ06017	"NOTICE" Raising or lowering the auger with blocked or trapped wheels	2
SZ06021	"WARNING" This auger transports over height and over width	1
SZ06023	"WARNING" Keep shield in place during operation	1
SZ06049	"WARNING" Hydraulic operation	1
SZ06051	"DANGER" Rotating Flighting	3
SZ06052	"NOTICE" Auger Worm Winch	1
SZ06056	FEMA	1
SZ06057	Grease Gun Silhouette	1
SZ06059	"WARNING" Contact with moving parts may result in a serious injury or death	1
SZ06066	"NOTICE" Use 5/16" diameter Grade 5 bolt	1
SZ06075	"DANGER" Shield missing	5
SZ06078	"NOTICE" Avoid over feeding	1
SZ06086	"STOP LIFT"	2
SZ06094	"NOTICE" Do not operate when empty during break in period	1
SZ06112	"NOTICE" Gear box oil level must be checked	1
SZ06527	"DANGER" Electrocutation hazard	1
SZ06528	"NOTICE" Do not tow over	1
SZ000113	FARM KING logo for red augers	2
910581	FARM KING logo for galvanized augers	2
	1455 for red augers	2
	1455 for galvanized augers	2
SZ000116	Feterl Original	2

SZ0161472 - 1000 RPM PTO Drive - G & G 14N x 72" Non-Separable IID



Ref No.	Part No.	Description	Qty
	SZ0161472	Complete IID - 72" Closed Length	1
	SZ01614721	Tractor Half w/ Shield	1
	SZ016147215	Auger Half w/ Shield	1
1	SZ195-1421B	14N 1-3/8" 21 Spline PinType Snap Hitch Shear Yoke	1
2	SZ02010321	PinType Snap Hitch Repair Kit	1
3	SZ6005613	5/16" x 1-1/4" Grade 5 Shear Bolt w/ Locknut	1
4	SZ302-1400	14N Cross & Bearing Kit, Complete	2
5	SZ188-14721	1" x 1-1/8" Rectangular Shaft w/ 14NYoke - 26-3/4" Long	1
6	SZ128-1200	14N Shield Bearing, Ring & Washer Kit	2
7	SZ301-14721	Inner Steel Shield (2-1/2" OD) w/ Notched Bell - 53-3/4" Long w/ Access Hole	1
8	SZ301-14720	Outer Steel Shield (2-3/4" OD) w/ Bell - 24-1/4" Long w/ Access Hole	1
9	SZ186-14721	Outer Torque Tube w/ 14NYoke & Slip Sleeve - 50-1/2" Long	1
10	SZ184-14221	14NYoke - 1-3/8" Round w/ 1/4" Cross Hole & 5/16" Keyway	1
11	SZ6001615	5/16" x 1-1/2" Spiral Pin (Thru pin hole in item #5 inside torque tube)	1

SZ0169776 - Prairie Gear 906 Gear Box (1.81:1 Ratio)



*As needed

IDENTIFICATION: Cast iron case, Prairie Gear, 1017 is printed on the case. 1000 RPM stamped on input housing, & 0169776 stamped on pad by mounting bolts.

Gearbox is shipped dry from the factory.

Add No. 90 gear lube until 1/2 full.

Ref No.	Part No.	Description	Qty
	SZ0169776	Prairie Gear 906 w/ 1-1/2" x 1-1/2" x 1-3/8" - Keyway 1.81:1 Ratio	1
1	SZPG-1017	Housing	1
2	SZPG-4142-2	Bearing Cover	1
3	SZPG-4143-1	End Cover	1
4	SZ625581	1-3/4" Bearing Cone	2
5	SZ625520	1-3/4" Bearing Cup	2
6	SZ603780	2" Bearing Cone	1
7	SZ603730	2" Bearing Cup	1
8	SZPG-4210	Output Gear - 29Teeth	1
9	SZPG-4209	Input Gear - 16Teeth	1
10	SZPG-1620	Snap Ring (5160-175)	2
11	SZPG-2855	Washer - 1-3/4" ID x .179	2
13	SZPG-1488	Oil Seal	1
14	SZPG-1489	Oil Seal	1
15	SZPG-4890	Output Shaft - 3/8" Keyway	1
16	SZPG-4794	Input Shaft	1
17	SZPG-1659	Key - 1/8" Sq. x 1.46	1
18	SZPG-1872	Pipe Plug - 3/8" NPT	2
19	SZPG-1862	Pipe Plug - 1/2" NPT	1
20	SZPG-1885	Bushing 1/2" - 1/4" NPT	1
21	SZPG-1705	Bolt - 3/8" - 16 NC x 1.00	16
22	SZPG-1543	Shim - .007 x 1.75 - Shaft	*
23	SZPG-1544	Shim - .007 Cover	*
24	SZLM104949	2" Bearing Cone	1
25	SZLM104912	2" Bearing Cup	1
26	SZPG-1820	Washer	1
27	SZPG-1626	Snap Ring (5160-200)	2
28	SZPG-1856	T-vent 1/4" NPT	1
29	SZPG-2853	Spacer	1

Farm King Limited Warranty

This document limits your warranty rights.

Base Limited Warranty

Buhler Industries Inc. provides this warranty only to original retail purchasers of its product. Buhler Industries Inc. warrants to such purchasers that all Buhler Industries Inc. manufactured parts and components used and serviced as provided for in the Operator's Manual shall be free from defects in materials and workmanship for a period following delivery to the original retail purchaser of 12 months (80 days for commercial applications). This limited warranty applies only to those parts and components manufactured by Buhler Industries Inc. Parts and components manufactured by others are subject to their manufacturer's warranties, if any.

Buhler Industries Inc. will fulfill this limited warranty by, at its option, repairing or replacing any covered part that is defective or is the result of improper workmanship, provided that the part is returned to Buhler Industries Inc. within thirty (30) days of the date that such defect or improper workmanship is, or should have been, discovered. Buhler Industries Inc. reserves the right to either inspect the product at the buyer's location or have it returned to the factory for inspection. Parts must be returned through the selling representative and the buyer must prepay transportation charges.

Buhler Industries Inc. will not be responsible for repairs or replacements that are necessitated, in whole or part, by the use of parts not manufactured by or obtained from Buhler Industries Inc. Under no circumstances are component parts warranted against normal wear and tear. There is no warranty on product pump seals, product pump bearings, rubber product hoses, pressure gauges, or other components that require replacement as part of normal maintenance. Also: Buckets and Bucket Tines carry no warranty, Bent Spears carry no warranty, Snowblower Fan Shafts carry no warranty, Mower Blades carry no warranty, Portable Auger Parts Have Two (2) Year Warranty, Loader Parts Have Two (2) Year Warranty. The purchaser is solely responsible for determining suitability of goods sold. This warranty is expressly in lieu of all other warranties expressed or implied. Buhler Industries Inc. will in no event be liable for any incidental or consequential damages whatsoever. Nor for any sum in excess of the price received for the goods for which liability is claimed.

Repair Parts Limited Warranty

Buhler Industries Inc. warrants Farm King replacement parts purchased after the expiration of the Buhler Industries Inc. Limited Warranty, and used and serviced as provided for in the Operator's Manual, to be free from defects in materials or workmanship for a period of thirty (30) days from the invoice date for the parts. Buhler Industries Inc. will fulfill this limited warranty by, at its option, repairing or replacing any covered part that is defective or is the result of improper workmanship, provided that the part is returned to Buhler Industries Inc. within thirty (30) days of the date that such defect or improper workmanship is, or should have been, discovered. Such parts must be shipped to Buhler Industries Inc. at the purchaser's expense.

What is Not Covered

Under no circumstances does this limited warranty cover any components or parts that have been subject to the following: negligence; alteration or modification not approved by Buhler Industries Inc.; misuse; improper storage; lack of reasonable and proper maintenance, service, or repair; normal wear; damage from failure to follow operating instructions; accident; and/or repairs that have been made with parts other than those manufactured, supplied, and or authorized by Buhler Industries Inc.

Authorized Dealer and Labor Costs

Repairs eligible for labor under this limited warranty must be made by Buhler Industries Inc. or an authorized Farm King dealer. Buhler Industries Inc. retains the exclusive discretion to determine whether it will pay labor costs for warranty repairs or replacements, and the amount of such costs that it will pay and the time in which the repairs will be made. If Buhler Industries Inc. determines that it will pay labor costs for warranty work, it will do so by issuing a credit to the dealer's or distributor's account. Buhler Industries Inc. will not approve or pay invoices sent for repairs that Buhler Industries Inc. has not previously approved. Warranty service does not extend the original term of this limited warranty.

Warranty Requirements

To be covered by warranty, each Farm King new product must be registered with Buhler Industries Inc. within thirty (30) days of delivery to original retail purchaser. If the customer decides to purchase replacement components before the warranty disposition of such components is determined, Buhler Industries Inc. will bill the customer for such components and then credit the replacement invoice for those components later determined to be covered by this limited warranty. Any such replacement components that are determined not be covered by this limited warranty will be subject to the terms of the invoice and shall be paid for by the purchaser.

Warranty Claims:

Warranty requests must be prepared on Buhler Industries Inc. Warranty Claim Forms with all requested information properly completed. Warranty Claims must be submitted within a thirty (30) day period from date of failure repair.

Warranty Labor:

Any labor subject to warranty must be authorized by Buhler Industries Inc. The labor rate for replacing defective parts, where applicable, will be credited at 100% of the dealer's posted shop rate. Defective parts will receive an extra 10% discount to assist with freight or other incidental costs.

Exclusive Effect of Warranty and Limitation of Liability

TO THE EXTENT PERMITTED BY LAW, BUHLER INDUSTRIES INC. DISCLAIMS ANY WARRANTIES, REPRESENTATIONS, OR PROMISES, EXPRESS OR IMPLIED, AS TO THE QUALITY, PERFORMANCE, OR FREEDOM FROM DEFECT OF THE COMPONENTS AND PARTS COVERED BY THIS WARRANTY AND NOT SPECIFICALLY PROVIDED FOR HEREIN.

TO THE EXTENT PERMITTED BY LAW, BUHLER INDUSTRIES INC. DISCLAIMS ANY IMPLIED WARRANTIES OF MERCHANTABILITY AND FITNESS FOR A PARTICULAR PURPOSE ON ITS PRODUCTS COVERED HEREIN, AND DISCLAIMS ANY RELIANCE BY THE PURCHASER ON BUHLER INDUSTRIES INC.'S SKILL OR JUDGMENT TO SELECT OR FURNISH GOODS FOR ANY PARTICULAR PURPOSE. THE PURCHASER'S ONLY AND EXCLUSIVE REMEDIES IN CONNECTION WITH THE BREACH OR PERFORMANCE OF ANY WARRANTY ON PRODUCTS MANUFACTURED BY BUHLER INDUSTRIES INC. ARE THOSE SET FORTH HEREIN. IN NO EVENT SHALL BUHLER INDUSTRIES INC. BE LIABLE FOR INCIDENTAL OR CONSEQUENTIAL DAMAGES (INCLUDING, BY WAY OF EXAMPLE ONLY AND NOT LIMITATION, LOSS OF CROPS, LOSS OF PROFITS OR REVENUE, OTHER COMMERCIAL LOSSES, INCONVENIENCE, OR COST OF REPLACEMENT OF RENTAL EQUIPMENT). IN NO EVENT SHALL FARM KING'S CONTRACT OR WARRANTY LIABILITY EXCEED THE PURCHASE PRICE OF THE PRODUCT.

(Note that some provinces or states do not allow limitations on how long an implied warranty lasts or the exclusion or limitation of incidental or consequential damages, so the above limitations and exclusion may not apply to you.) This warranty gives you specific legal rights and you may also have other rights, which vary from province to province or state to state.

Buhler Industries Inc. neither assumes nor authorizes any person or entity, including its selling representatives, to assume any other obligations or liability in connections with the sale of covered equipment, or to make any other warranties, representations, or promises, express or implied, as to the quality, performance, or freedom from defect of the components and parts covered herein. No one is authorized to alter, modify, or enlarge this limited warranty, or its exclusions, limitations and reservations.

Corrections of defects and improper workmanship in the manner, and for the applicable time periods, provided for herein shall constitute fulfillment of all responsibilities of Buhler Industries Inc. to the purchaser, and Buhler Industries Inc. shall not be liable in negligence, contract, or on any other basis with respect to the subject equipment.

This limited warranty is subject to any existing conditions of supply which may directly affect Buhler Industries Inc.'s ability to obtain materials or manufacture replacement parts.

Buhler Industries Inc. reserves the right to make improvements in design or changes in specifications to its products at anytime, without incurring any obligation to owners of units previously sold.

Government Legislation:

Warranty terms and conditions are subject to provincial or state legislation.

Important Note: This warranty does not apply to rentals.

Serial Number Location

The following page contains a space for you to record the information about your portable grain auger found on this plate. Please record this information here for future reference.

NOTE: The auger serial number is located on the second upright support on the lower cradle.

Farm King Number: _____

Farm King Serial Number: _____

Component Serial Numbers:

Manufacturer	Part Number	Serial No.	Notes:

www.farm-king.com

Farm King

1330 43rd Street NW
Fargo, ND USA 58102
Ph.: 701.282.7014 | Fax: 701.282.5865
Toll Free: 888.524.1004
E-mail: info@buhler.com
www.farm-king.com

Equipment shown is subject to change without notice.
©2010 Buhler Trading Inc. Printed in USA. TSX:BUI

bühler | a division of Buhler Industries Inc.