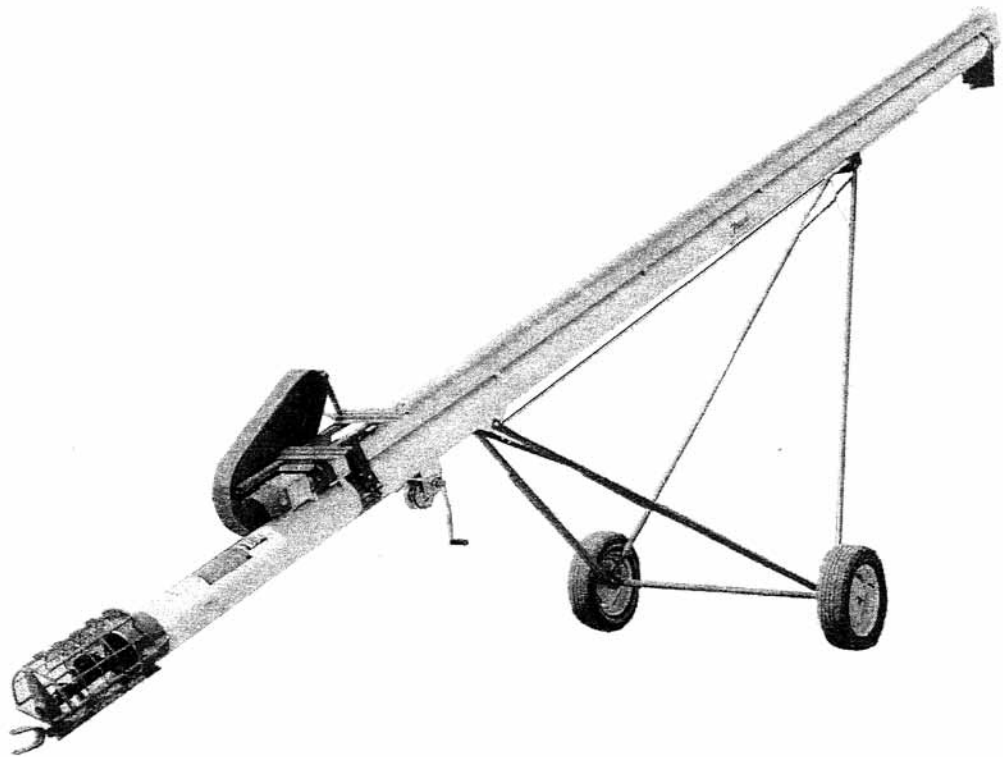


Farm King

OPERATOR AND PARTS MANUAL

834 Conventional Auger



834 Conventional Auger

TO THE OWNER

Thank you for purchasing a Farm King 834 Conventional Auger.

Farm King Conventional Augers have been designed to provide many years of profitable and dependable service. To assure maximum performance of your auger, it is mandatory that you thoroughly study the operator's manual and follow its recommendations. PLEASE EXAMINE YOUR UNIT CLOSELY AND READ THE ASSEMBLY INSTRUCTIONS TO SEE THAT YOUR UNIT IS PROPERLY ASSEMBLED. Proper operation and maintenance are essential for safety, to maintain performance, and to maximize the life of the auger. When ordering parts or inquiring about the auger, you must include the serial number which is located on the second upright of the lower truss support.

It is the owner's responsibility to:

Operate and maintain this auger in a safe manner and in accordance with all applicable local, state, and federal codes and/or laws.

Make sure each and every operator has read the operator's manual and thoroughly understands safe and correct operating procedures.

Make sure unauthorized people do not operate or are not in the vicinity of the auger while it is in operation.

Maintain the auger in accordance with the maintenance schedule in this manual. Furthermore, as additional technology becomes available, the owner is responsible for improving the safety and reliability of the system.

Fulfill all warranty obligations so as not to void the warranties. Verify the unit is warranty registered prior to making any warranty claims. The warranty section at the back of this manual outlines the warranty policy of Farm King.

Abuse or modifications to the auger that change the performance other than original factory specifications void the warranty.

Farm King reserves the right to make product improvements to the equipment at any time. It shall not be obligated to make such changes to machines already in service.

**The owner, manager and/or operator is responsible for safe, accurate operation and maintenance of the Farm King 834 Conventional Auger.*

Table of Contents

| | |
|-------------------------------------|-----------|
| Safety Instructions | 4 |
| • General Safety..... | 4 |
| • Operation Safety | 4 |
| • Transport Safety | 5 |
| • Electrical Safety..... | 5 |
| • Safe Operating Instructions | 6 |
| Assembly Instructions | 9 |
| • Hydraulic Drive..... | 10 |
| • PTO Drive..... | 11 |
| • Electric Drive | 12 |
| • Gas Engine Drive | 13 |
| Parts & Schematics | 14 |
| • Decals..... | 17 |
| • Prairie Gear Model..... | 18 |
| • PTO..... | 19 |
| Warranty | 20 |

Manufacturer's statement: for technical reasons Buhler Trading Inc. reserves the right to modify machinery design and specifications provided herein without any preliminary notice. Information provided herein is of descriptive nature. Performance quality may depend on grain type, grain moisture, auger elevation and other factors.

Safety

An Operator's Manual is furnished with each grain auger. Additional or replacement manuals are available. Do not operate the unit before reading and understanding the operator's Manual. Understand the operating procedures below to avoid personal injury or death.

General Safety

An auger can collapse and fall on the operator or bystander causing serious injury or death. Always support the discharge end when the following conditions occur:

- While unit is in operation.
- When dismounting the undercarriage.

The accidental tipping or upending of an auger may cause serious injury or death to the operator or bystanders. When the grain flow is shut off to the auger an overbalance situation can occur, suddenly raising the intake auger. Adequate anchorage of the intake end or support from bin is required at all times, especially in the following conditions:

- While unit is in operation.
- When moving the auger.
- When raising or lowering the auger.
- Maximum elevation is determined by interference between track car and auger structure. The operator must stop raising the auger before track car reaches the end of the track. Continued lift will cause failure of the winch, lift cable or auger supports, causing auger to collapse, which can result in serious injury or death.

Contact with rotating flighting will cause serious injury or death.

- Do not stand on the intake cage.
- Keep hands, feet and clothing away from the intake and discharge flighting.

Operating Safety

Intentional or accidental contact with moving parts may result in a serious injury or death. Observe the following operating procedures.

- Keep all safety devices in place.
- Do not adjust, service, lubricate, clean, unclog or move the mechanism until all power is shut off.
- Keep hands, feet and clothing away from moving parts while in operation.
- Keep off the equipment at all times.
- Make certain that everyone is clear of the equipment at all times.
- Make certain that everyone is clear of the equipment before applying power.
- Keep children, visitors and all untrained personnel away from machine while in operation.

Safety - Continued

Transport Safety

Care must be used when moving or transporting the auger. Accidental tipping or upending of an auger can occur and may cause serious injury or death to the operator or bystanders.

- Never move the auger manually.
- Be sure auger is empty before attempting to move.
- Never push on the undercarriage of the auger.
- Tow the auger at slow speed and in the down position.
- Always test the intake end of the auger for downward weight when attaching or releasing.
- Never raise the hitchpoint higher than the vehicle's tow bar.

Electrical Safety

Contact with overhead wires may cause electrocution of the operator or bystanders. Contact with overhead obstructions may cause collapse or tipping of the auger or may cause the overhead obstruction to fall. In both cases the operator or bystander can be seriously injured or killed.

Observe the following:

- Tow the auger at slow speed and in the down position.
- Raise or lower the auger slowly.

Electrical malfunction can cause electrocution of the operator or bystanders.

Observe the following rules.

- Disconnect power and electrical driven units before resetting motor overloads.
- Do not operate electric motor equipped units until unit is properly grounded.



NOTE

RECOGNIZE SAFETY INFORMATION

This is the safety-alert symbol. When you see this symbol on your machine or in this manual, be alert to the potential for personal injury.

Safe Operating Instructions

There are several decals on the grain auger and its attachments with safety instructions.

Read and understand these safety alerts before operating.

The shielding has been removed in some of the illustrations for parts demonstration only.

Install all shields before operating the unit.



DANGER

Maximum elevation is determined by interference between track car and auger structure. The operator **MUST STOP RAISING** the auger **BEFORE** track car reaches the end of the track. Continued lift will cause failure to the winch, lift cable or auger supports, causing auger to collapse, resulting in **SERIOUS INJURY OR DEATH**.



DANGER

Always disconnect the hydraulic hoses from the tractor after the auger is raised or lowered to the desired position. Inadvertent movement of the hydraulic valve on the tractor may cause damage or personal injury.



DANGER

Winch must be aligned with cable so that the cable does not stack on one side of the drum. Do not allow the cable to become slack on winch drum. The cable may recoil and slip over the side of the drum. In either case, the cable will wind on drum spindle and cause winch or cable to fail, allowing auger to drop, which may cause physical damage to the auger or personal injury.

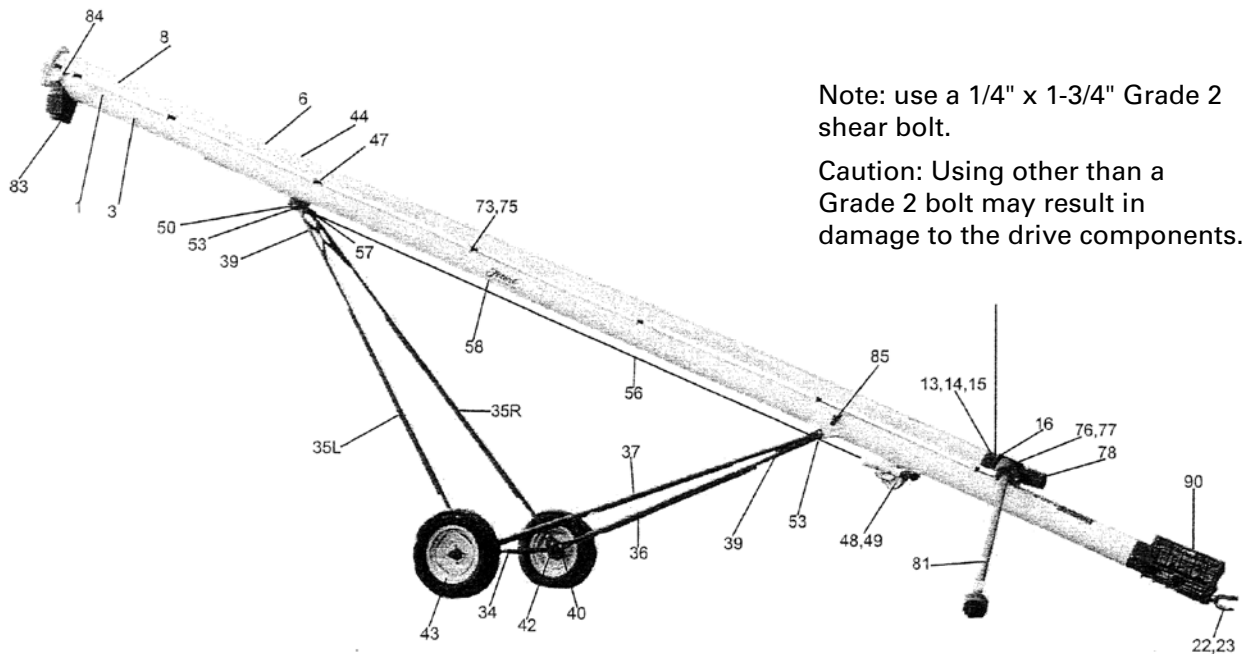


DANGER

Never check for hydraulic leaks using any parts of the human body as oil injection can occur, causing serious injury.



Keep all shields in place during operation.

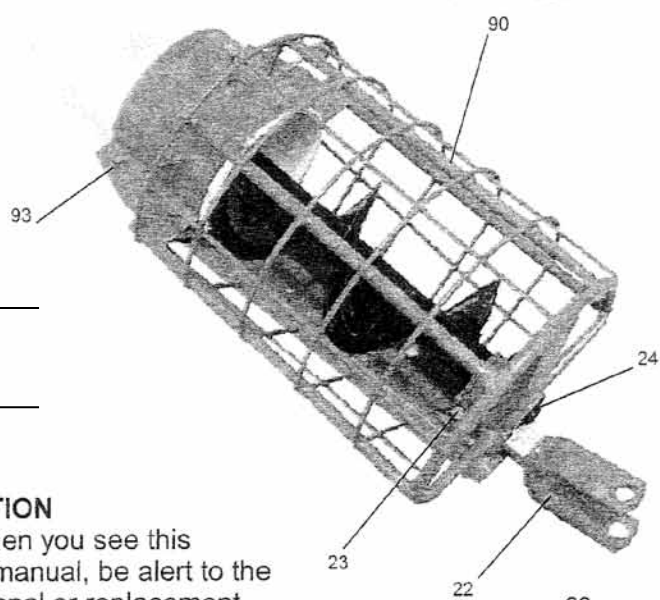
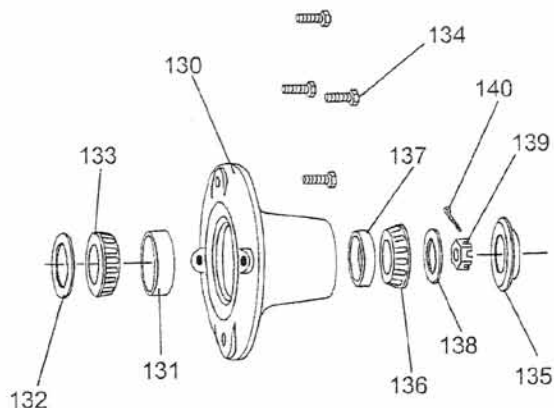
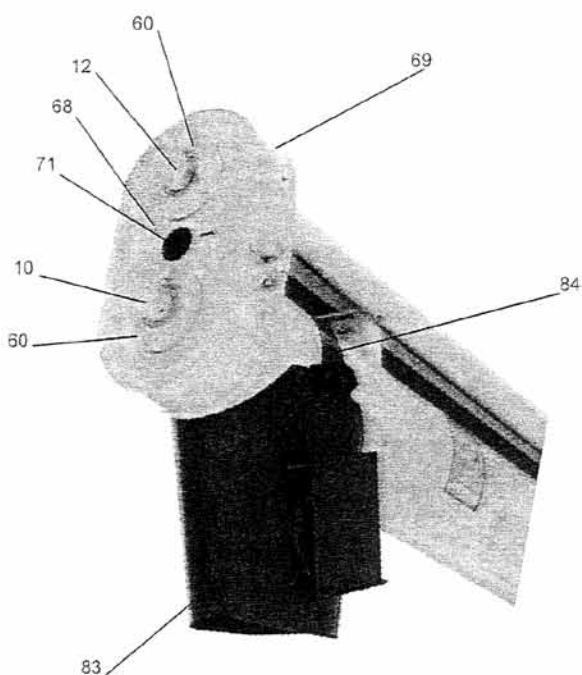


Note: use a 1/4" x 1-3/4" Grade 2 shear bolt.

Caution: Using other than a Grade 2 bolt may result in damage to the drive components.

Shear bolt failure indicates an overload on the auger. To remedy the problem:

1. Make certain the auger is running at the correct speed. Run the tractor PTO at 540 RPM for the correct flighting speed. Slowing the auger will allow it to overload and plug.
2. Reduce flow into the intake of the auger. Wet grain requires more power to operate the auger. The flow must be reduced in wet grain to prevent plugging and/or shear bolt failure.
3. Check for foreign objects (sacks, cans, rags, etc.) in the tube. Objects may go part way up the tube and wedge between the flights, blocking the grain flow.

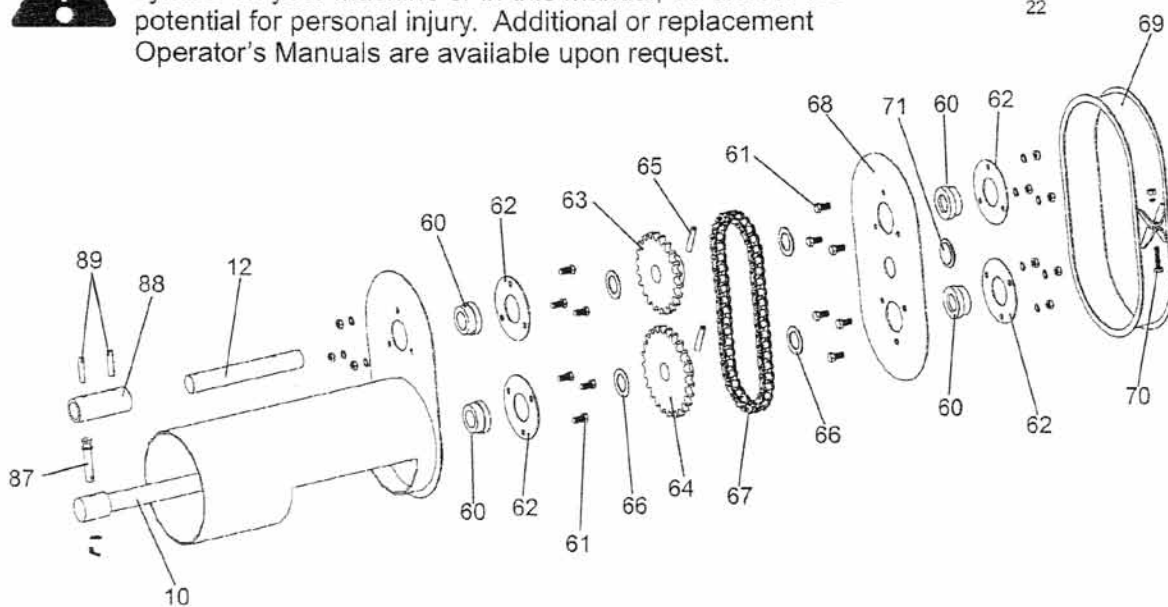


Keep all shields in place during operation.



RECOGNIZE SAFETY INFORMATION

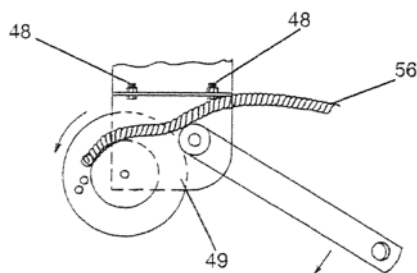
This is the safety-alert symbol. When you see this symbol on your machine or in this manual, be alert to the potential for personal injury. Additional or replacement Operator's Manuals are available upon request.



Assembly Instructions

1. Clamp the intake cage (Ref. #90) to the lower tube. Be sure to have 1/2" clearance between the flight core and the bearing. THRUST LOAD MUST BE CARRIED AT THE TOP OF THE AUGER.
2. Install track car (Ref. #50) onto the track (with the end containing the cable anchor towards the intake end of the auger) and install the 3/8" x 3/4" bolt, nut and lockwasher (Ref. #58) in the end of the track.
3. Attach the brake winch (Ref. #49) to the mount on the underside of the lower tube using the 3/8" x 1" bolt, nut and lockwasher combinations (Ref. #48).
4. Add #90 gear lube to gearbox until half full. THE GEARBOX IS SHIPPED DRY FROM THE FACTORY.
5. Assemble the undercarriage.
 - Attach the front support arms (Ref. #36) to the front undercarriage mount by sliding arms over the rod and inserting two 5/32" x 1" cotter pins (Ref. #53). Secure the arms by inserting a 3/8" x 1" bolt, nut and lockwasher combination (Ref. #39) into the cross bracing of the arms.
 - Connect the axle (Ref. #34) to the front arms, using two 1/2" x 1-1/2" bolt, nut and lockwasher combinations (Ref. #34) to the front arms. Mount the wheels (Ref. #43).
 - Attach the rear support arms (Ref. #35) to the track car by using two 5/32" x 1" cotter pins (Ref. #53). Secure the arms by inserting a 3/8" x 1" bolt, nut and lockwasher combination (Ref. #39) into the cross bracing.
 - Connect the rear arms to the axle by lifting the auger tube, moving the rear arms until the 5/8" x 1-1/2" bolt (Ref. #42) can be installed with two 5/8" nuts. Adjust the nuts until the rear arm will still pivot but there is minimum slack between the rear arm and the axle. Lock the two 5/8" nuts to each.
6. Fasten the lift cable (Ref. #56) to the anchor on the track car with two cable clamps (Ref. #57) and fasten to the winch.

NOTE: The winch must be aligned with cable so that cable does not stack on one side of the drum. (See DANGER statement below)



NOTE: The cable has to be threaded between the mounting plate and the cross shaft as shown.





DANGER

Winch must be aligned with cable so that the cable does not stack on one side of the drum. Do not allow the cable to become slack on winch drum. The cable may recoil and slip over the side of the drum. In either case, the cable will wind on the drum spindle and cause the winch or cable to fail, allowing auger to drop, which may cause physical damage to the auger or may cause personal injury.

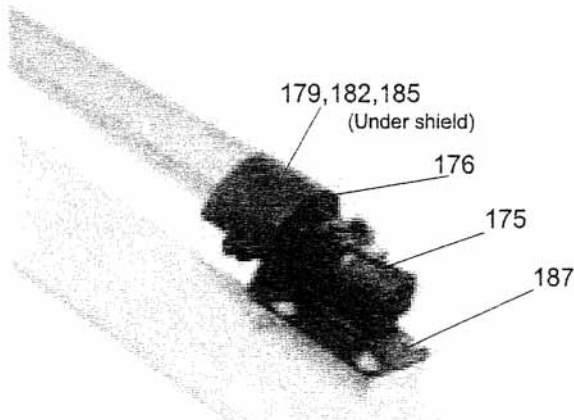
Assembly Instructions - Continued


7. Mount the Owner's Manual container (Ref. #141) to the winch mount using the mounting straps (Ref. #142) and the 1/4" x 3/4" bolt, nut and lockwasher combinations. This is provided for the storage of the Owner's Manual and Assembly instructions.
8. See separate assembly instructions for the different drive packages.

| | | |
|---|--------------------|--|
|  | <u>NOTE</u> | Read and understand the Owner's Manual before operating. |
|---|--------------------|--|

| | | |
|---|----------------------|--|
|  | <u>DANGER</u> | DO NOT OPERATE THE AUGER EMPTY DURING BREAK-IN PERIOD. FOR THE BEST RESULTS DO NOT FULL FEED THE INTAKE FOR THE FIRST 500 BUSHELD. AFTER BREAK-IN, NEVER RUN AUGER AT SLOW IDLE WHEN FULL FEEDING THE AUGER. |
|---|----------------------|--|

Hydraulic Drive



| | | |
|---|-----------------------|---|
|  | <u>WARNING</u> | Never check for hydraulic leaks using any parts of the human body as oil injection can occur. |
|---|-----------------------|---|

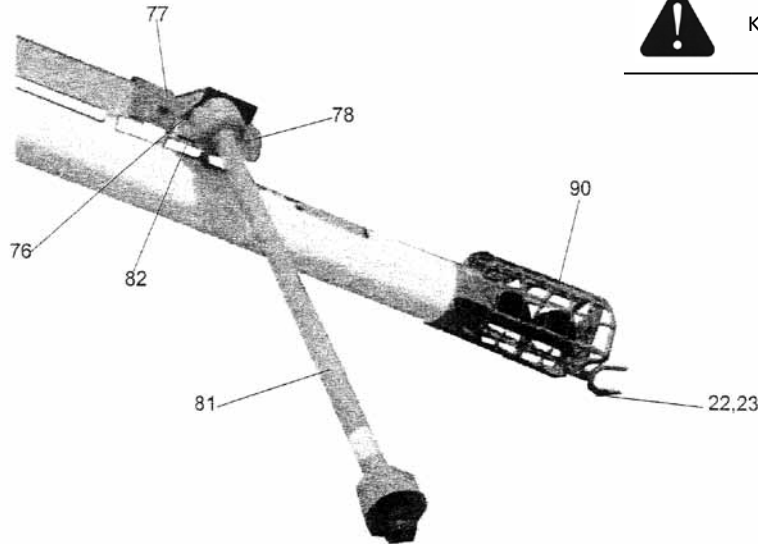
1. Attach the hydraulic hoses to the motor. The ports on the motor are 7/8-14 O-ring female.

Design hydraulic requirements are 12 GPM and 1500 PSI.

Do not use with high moisture grain unless the intake is limited.

Assembly Instructions - Continued

PTO Drive



Keep all shields in place during operation.

1. Attach the implement input driveline (IID) (Ref. #81) to the gearbox with a 5/16" x 2" spiral pin (Ref. #82).
2. Mount the gearbox shield (Ref. #78) using 3/8" x 3/4" bolt and lockwasher (Ref. #77).
3. Mount the IID hanger (Ref. #85) onto the bracket provided on the tube using the 3/8" x 1" bolt, nut and lockwasher combinations.



NOTE

Use a 1/4" x 1-3/4" Grade 2 shear bolt on the output shaft of the gearbox.

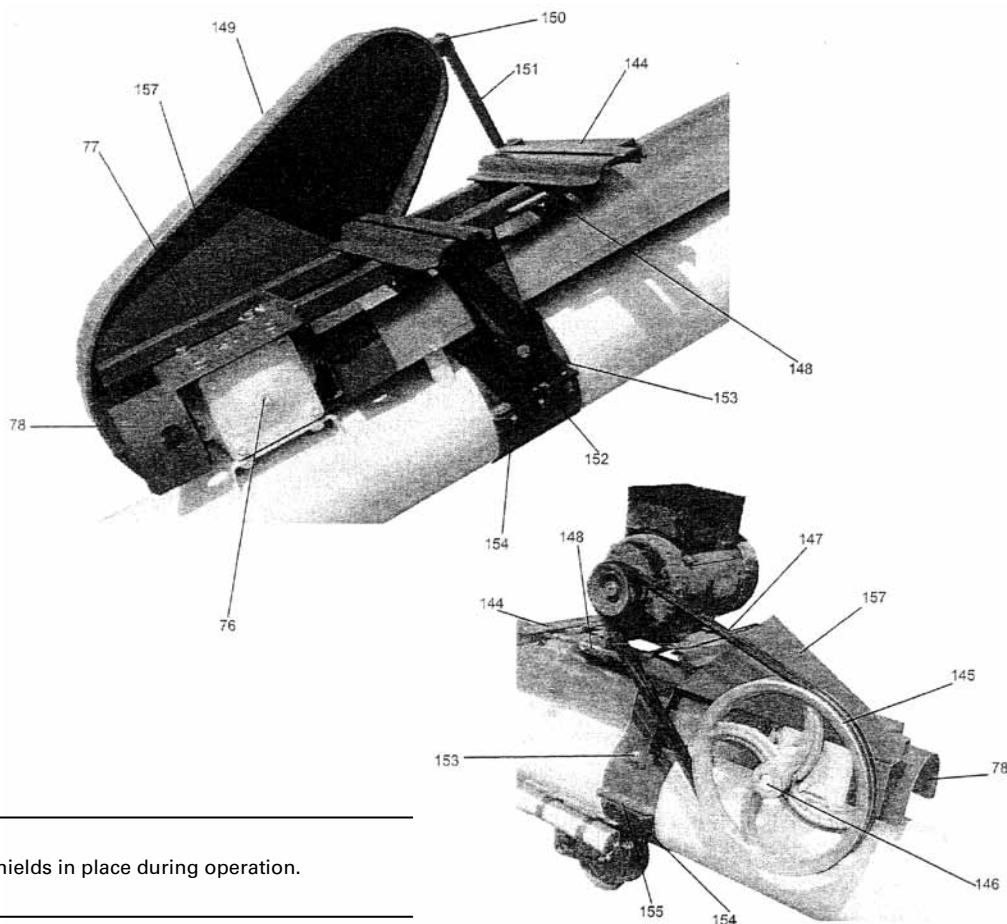


CAUTION

Using other than a Grade 2 bolt may result in damage to drive components.

Assembly Instructions - Continued

Electric Drive



Keep all shields in place during operation.

1. Assemble the electric mount top support clamp (Ref. #152) and the lower clamp (Ref. #154) on the tube using 3/8" x 1-1/4" bolt, nut and lockwasher (Ref. #155).
2. Attach the gearbox shield (Ref. #78) the inner pulley shield (Ref. #157) and the electric motor mount assembly (Ref. #144) onto the gearbox using four 3/8" x 3/4" bolt and lockwasher combinations (Ref. #77). Mount the electric motor mount assembly to the top support clamp using 1/2" x 1" bolt, nut and lockwasher combinations (Ref. #153).
3. Mount the 14" pulley (Ref. #145) onto the gearbox using the 5/16" x 2-1/2" spiral pin (Ref. #146).
4. Mount the belts (Ref. #147). Mount the belt shield (Ref. #149) using the shield support bar (Ref. #151) and the 3/8" x 3/4" bolt, nut and lockwasher combinations (Ref. #150).

NOTE: This option requires a 4-1/2" O.D. 2 groove pulley for 1750 RPM motor (not furnished).

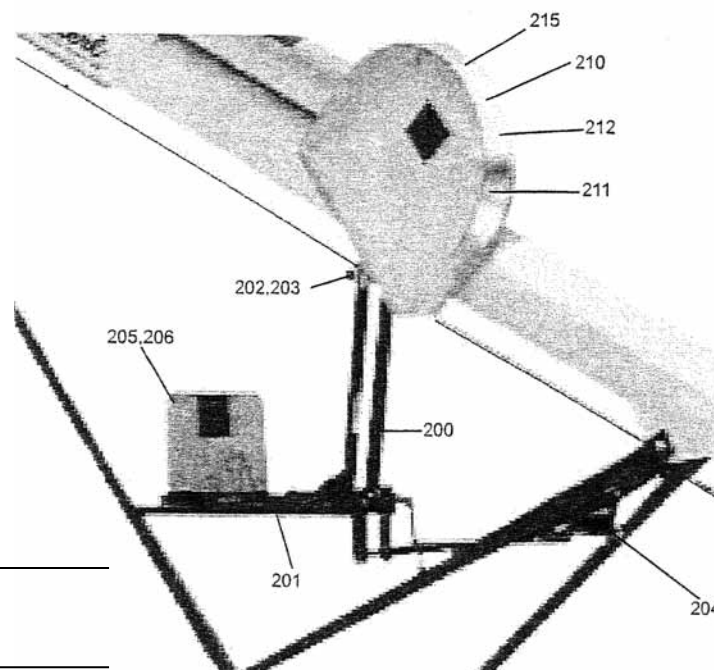


NOTE

Gearbox is shipped dry from the factory. Add No. 90 gear lube until 1/2 full.

Assembly Instructions - Continued

Gas Engine Drive



Keep all shields in place during operation.

1. Assemble the C-style gas mount (Ref. #200) to the mount on the tube using the 5/8" rod upper pivot pin (Ref. #202) and two 5/32" x 1-1/4" cotter pins with 5/8" machine bushings (Ref. #203). Swing the mount stabilizer arm to the cross bracing on the front undercarriage arms and secure in place with two 3/8" x 2-1/2" bolt, nut and lockwasher combinations (Ref. #204).
2. Attach the gas engine shield (Ref. #205) to the engine mount using two 3/8" x 1" bolt, nut, lockwasher and flat washer combinations (Ref. #206). This shield may need to be adjusted or remounted after the gas engine is installed.
3. Mount the 18" 2-groove pulley (Ref. #210) onto the gearbox using the 5/16" x 2-1/2" spiral pin. Mount the belts (Ref. #215) onto the 18" pulley.
4. Mount the gearbox shield (Ref. #212) and the upper pulley shield (Ref. #211) onto the gearbox using the 3/8" x 3/4" bolt and lockwasher combinations (Ref. #77).
5. Mount the gas engine onto the mount, align the pulleys and adjust the belt tension by loosening the 1/2" cable clamp (Ref. #201) and moving the sliding part of the mount until the tension is correct.

NOTE: This option requires a 4" O.D. 2-groove motor pulley.

12-1/2 hp (or larger) gas engine is recommended.



CAUTION

Gearbox is shipped dry from the factory. Add No. 90 gear lube until 1/2 full.

Parts List - 834 Conventional Auger

| Ref No. | Part No. | Description | Qty |
|---------|------------|--|-----|
| 1 | SZ2937834 | Auger tube w/head & bearing brackets (PTO or electric) | 1 |
| | SZ102865 | Auger tube w/head & bearing brackets (PTO or electric) * | 1 |
| | SZ29378347 | Auger tube w/head & bearing brackets (Gas) | 1 |
| | SZ102866 | Auger tube w/head & bearing brackets (Gas) * | 1 |
| 3 | SZ3667834 | Flighting | 1 |
| 6 | SZ41282581 | 256-1/2" driveline - gas engine mount | 1 |
| 6 | SZ4128888 | 288-1/4" driveline - PTO & electric with couplers | 1 |
| 8 | SZ4127851 | 51" driveline - PTO & electric | 1 |
| 10 | SZ0438305 | Flighting extension (head drive) | 1 |
| 12 | SZ4127805 | Driveline extension (head drive) | 1 |
| 13 | SZ4127602 | 1" flexible coupler (male) gearbox | 1 |
| 14 | SZ4127803 | 1-1/4" flexible coupler (female) gearbox | 1 |
| 15 | SZ6001802 | 3/8" x 1-3/4" spiral expand pin | 2 |
| 16 | SZ6002515 | 1/4" x 1-3/4" Grade 2 shear bolt, nut & lockwasher (gearbox coupler) | 1 |
| 22 | SZ0938687 | Clevis tow hitch | 1 |
| 23 | SZ128008 | 1/2" x 2-3/4" clevis pin | 1 |
| | SZ128018 | No. 4 hair pin | 1 |
| 24 | SZ201621 | Wood intake bearing | 1 |
| 34 | SZ0216961 | Undercarriage axle (60") | 1 |
| 35-R | SZ0218134 | Undercarriage lift arm (134"), right | 1 |
| 35-L | SZ0219134 | Undercarriage lift arm (134"), left | 1 |
| 36 | SZ0216105 | Undercarriage lower arm (105"), right | 1 |
| 37 | SZ0217105 | Undercarriage lower arm (105"), left | 1 |
| 39 | SZ6003801 | 3/8" x 1" bolt, nut & lockwasher | 2 |
| 40 | SZ6001215 | 1/2" x 1-1/2" bolt, nut & lockwasher | 4 |
| 42 | SZ6005815 | 5/8" x 1-1/2" bolt & double nut | 2 |
| 43 | SZ0114415 | 15" wheel | 2 |
| 44 | SZ1630260 | 260" driveline shield (gas) | 1 |
| | SZ1630343 | 343" driveline shield (PTO or electric) | 1 |
| 47 | SZ6003115 | 3/6" x 1-1/4" driveline shield mount screw | 12 |
| 48 | SZ6003801 | 3/8" x 1" bolt, nut & lockwasher | 3 |
| 49 | SZ2036221 | Bolt-on winch assembly | 1 |
| 50 | SZ0218860 | Undercarriage roller frame with 2 rollers | 1 |
| 53 | SZ6003531 | 5/32" x 1-1/4" cotter pin | 4 |
| 56 | SZ0213240 | Aircraft cable (24') | 1 |
| 57 | SZ6003316 | 3/16" cable clamp | 2 |
| 58 | SZ6003807 | 3/8" x 3/4" bolt, nut & lockwasher (track stop) | 1 |

*Galvanized

Parts List - 834 Conventional Auger - Continued

| Ref No. | Part No. | Description | Qty |
|---------|-----------------|---|------|
| 60 | SZ2018043 | Bearing (head drive) | 4 |
| 61 | SZ6003807 | 3/8" x 3/4" bolt, nut & lockwasher | 12 |
| 62 | SZ65062MSCI0000 | Flange housing for 8043 bearing | 8 |
| 63 | SZ0040622 | No. 60-22 tooth sprocket (driveline) | 1 |
| 64 | SZ0040625 | No. 60-25 tooth sprocket (flighting) | 1 |
| 65 | SZ6001825 | 3/8" x 2-1/2" spiral machine bushing | 2 |
| 66 | SZ0231141 | 1-1/4" x ga. machine bushing | 4 |
| 67 | SZ0043643 | No. 60 chain 43 pitch | 1 |
| 68 | SZ8482225 | Head drive face plate | 1 |
| 69 | SZ8481808 | Head drive cover | 1 |
| 70 | SZ6005617 | 5/16" x 1-1/2" bolt, nut and lockwasher | 1 |
| 71 | SZ8401809 | Access plug | 1 |
| 73 | SZ2010043 | 1-1/4" steel bearing PTO (1 piece) | 5 |
| | SZ9965062 | Flange housing for steel bearing | 10 |
| 73 | SZ2010043 | 1-1/4" steel bearing GAS (1 piece) | 4 |
| | SZ6562MSCI000 | Flange housing for steel bearing | 8 |
| | SZ650PSB206228 | Replacement 1-1/4" wood bearing (2 pieces) | Need |
| | SZ992018881001 | Replacement flange housing (slotted for in-place installation) | Need |
| 75 | SZ6003807 | 3/8" x 3/4" bolt, nut and lockwasher | 8 |
| 76 | SZ0166230 | Bearbox | 1 |
| 77 | SZ6003870 | 3/8" x 3/4" bolt and lockwasher | 8 |
| 78 | SZ1629351 | Shield, gearbox, PTO drive | 1 |
| | SZ1629353 | Electric gearbox shield | 1 |
| 81 | SZ0169648 | 60-48 shielded implement input drive (non-separable) | 1 |
| 82 | SZ6001602 | 5/16" x 2" spiral expand pin | 1 |
| 83 | SZ4192811 | Relief drop spout | 1 |
| 84 | SZ2038162 | 8" 1 bolt half clamp | 1 |
| | SZ6003805 | 3/8" x 1-1/4" bolt, nut and lockwasher | 2 |
| 85 | SZ1628815 | IID hanger | 1 |
| | SZ6003801 | 3/8" x 1" bolt, nt and lockwasher | 1 |
| 87 | SZ6006815 | 1/2" x 2-3/4" clevis pin w/two 1/2" machine bushings plus 5/32" x 1" cotter pin | 1 |
| 88 | SZ4127886 | Sleeve coupler - Driveline | 2 |
| 89 | SZ6001802 | 3/8" x 1-3/4" spiral expand pin | 4 |
| 90 | SZ0933845 | Auger intake cage | 1 |
| 93 | SZ6003805 | 3/8" x 1-1/4" bolt, nut and lockwasher | 6 |
| 130 | SZ0114110 | 4 bolt hub with cups | 2 |
| 131 | SZ100126 | Bearing cup | 2 |

Parts List - 834 Conventional Auger - Continued

| Ref No. | Part No. | Description | Qty |
|---------|----------------|--|-----|
| 132 | SZSE-1100 | Gease seal | 2 |
| 133 | SZ100125 | Bearing cone | 2 |
| 134 | SZWB10000 | 1/2" x 1-1/4" wheel bolt | 8 |
| 135 | SZDC-1200 | Dust cap | 2 |
| 136 | SZLM11949 | Bearing cone | 2 |
| 137 | SZLM11910 | Bearing cup | 2 |
| 138 | SZ601.5X03/4WA | 1-1/2" OD x 3/4" ID x 10 gauge spindle washer | 2 |
| 139 | SZP251703 | Slotted spibdle nut | 2 |
| 140 | SZ66C5/32X13/4 | 5/32" x 3/4" cotter pin | 2 |
| 141 | SZ297001 | Owner's manual tube | 1 |
| 142 | SZ297002 | Owner's manual tube mount | 2 |
| | SZ6002575 | 1/4" x 3/4" bolt, nut and lockwasher | 2 |
| 144 | SZ5938166 | Electric motor mount | 1 |
| 145 | SZ0162614 | 14" 2 groove x 1" bore pulley | 1 |
| 146 | SZ6005625 | 5/16" x 2-1/2" spiral pin | 1 |
| 147 | SZ2221668 | 68" V-Belt | 2 |
| 148 | SZ5848015 | Tension adjustment bolt | 1 |
| 149 | SZ51380811 | Electric motor shield | 1 |
| 150 | SZ6003807 | 3/8" x 3/4" bolt, nut and lockwasher | 3 |
| 151 | SZ5138083 | Shield support bar | 1 |
| 152 | SZ5938167 | Electric motor mount bracket | 1 |
| 153 | SZ6001201 | 1/2" x 1" bolt, nut and lockwasher | 2 |
| 154 | SZ2038210 | 8" 3-bolt half clamp | 1 |
| 155 | SZ6003805 | 3/8" x 1-1/4" bolt, nut and lockwasher | 6 |
| 157 | SZ5938082 | Electric motor shield | 1 |
| | SZ6003802 | 3/8" x 2" bolt, nut and lockwasher | 4 |
| 175 | SZ3981050A | 5.9 hydraulic motor | 1 |
| 176 | SZ31167809 | 5.9 hydraulic motor mount | 1 |
| | SZ6003870 | 3/8" x 3/4" bolt and lockwasher | 4 |
| 179 | SZ4127607 | Chain coupler with 1" bore and 1/4" pinhole | 1 |
| | SZ0112520 | 5/16" x 1-1/2" spiral pin | 1 |
| 182 | SZ4127806 | Chain coupler with 1-1/4" bore and 5/16" pinhole | 1 |
| | SZ6001615 | 5/16" x 1-1/2" spiral pin | 1 |
| 185 | SZ0043614 | #60 chain 14 pitch with connector | 1 |
| 187 | SZ60038015 | 3/8" x 1" bolt, nut, lockwasher and flat washer | 4 |
| 200 | SZ7136541 | Engine mount assembly - C style | 1 |
| 201 | SZ670.500CLAMP | 1/2" cable clamp | 1 |
| 202 | SZ7136060 | 5/8" rod - upper pivot pin | 1 |
| 203 | SZ6003531 | 5/32" x 1-1/4" cotter pin w5/8" x 14 ga. machine bushing | 2 |

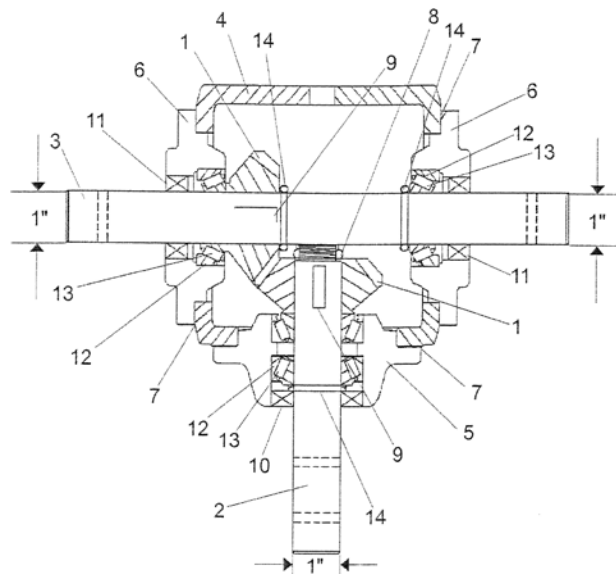
Parts List - 834 Conventional Auger - Continued

| Ref No. | Part No. | Description | Qty |
|---------|------------|---|-----|
| | SZ0235814 | 5/8" 14 gauge machine bushing | 2 |
| 204 | SZ6003827 | 3/8" x 2-1/2" bolt, nut and lockwasher | 2 |
| 205 | SZ7136544 | Shield, gas engine drive pulley | 1 |
| 206 | SZ60038015 | 3/8" a 1" bolt, nut, lockwasher and flat washer | 2 |
| 210 | SZ0162718 | 18" pulley, 2 groove, 1" bore | 1 |
| | SZ6005625 | 5/16" x 2-1/2" spiral expand pin | 1 |
| 211 | SZ7138543A | Gas pulley shield | 1 |
| 212 | SZ7139308 | Shield, gas engine mount - gearbox | 1 |
| 215 | SZ22216105 | 103" V-Belt | 2 |
| | SZ6003817 | 3/8" x 1-3/4" bolt, nut and lockwasher | 4 |

Parts List - Decal (decal location drawing available upon request)

| Part No. | Description | Qty |
|----------|---|-----|
| SZ06001 | Made in USA | 1 |
| SZ06003 | "Feterl" | 2 |
| SZ06010 | "Warning" Do not operate the unit before reading the Operator's Manual | 1 |
| SZ06018 | "Notice" Do not operate when empty during break-in period | 2 |
| SZ06023 | "Warning" Keep shield in place during operation | 2 |
| SZ06049 | "Warning" Hydraulic operation | 1 |
| SZ06051 | "Danger" Rotating flighting | 3 |
| SZ06056 | FEMA | 1 |
| SZ06057 | Grease gun silhouette | 1 |
| SZ06059 | "Warning" Contact with moving parts may result in serious injury or death | 1 |
| SZ06060 | "Notice" Use a 1/4" diameter Grade 2 bolt | 1 |
| SZ06075 | "Danger" Shield missing | 5 |
| SZ06078 | "Notice" Avoid over feeding | 1 |
| SZ06112 | "Notice" Gearbox must be checked for proper oil level | 1 |
| SZ06527 | "Danger" Electrocution hazard | 1 |
| SZ06528 | "Notice" Do not tow over 20 mph | 1 |

Parts List - Prairie gear model P405 gearbox - SZ0166230



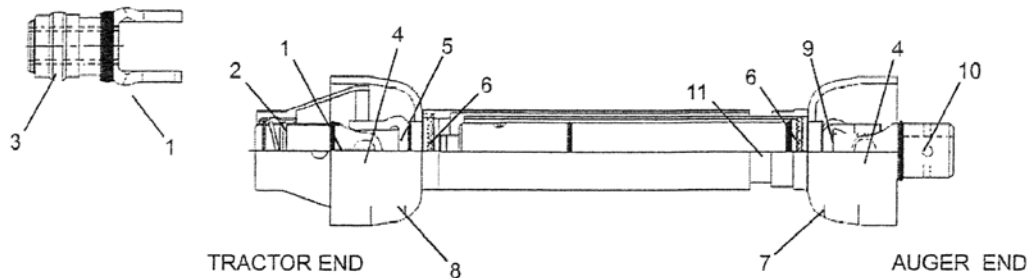
Identification: Cast iron case
 Prairie Gear, 1002 is printed on the case

Add #90 gear lube to gearbox until half full. The gearbox is shipped dry from the factory.

| Ref No. | Part No. | Description | Qty |
|---------|-----------|----------------------------------|-----|
| 1 | SZPG-4200 | Gear | 2 |
| 2 | SZPG-4647 | Shaft, quill - 5/16" cross holes | 1 |
| 3 | SZPG-4646 | Shaft, thru - 1/4" cross holes | 1 |
| 4 | SZPG-1001 | Case - 3 port - O.C. | 1 |
| 5 | SZPG-4102 | Quill | 1 |
| 6 | SZPG-1102 | Bearing cap | 2 |
| 7 | SZPG-1501 | Shim - .005 | * |
| | SZPG-1502 | Shim - .007 | * |
| | SZPG-1503 | Shim - .010 | * |
| 8 | SZPG-1617 | Snap ring: 5160-98 | 1 |
| | SZPG-2811 | Washer - 1.00 x 1.50 x .130 | 1 |
| 9 | SZPG-1650 | Key - 1/4" sq. x 7/8" | 2 |
| 10 | SZPG-1485 | Oil seal | 1 |
| 11 | SZPG-1470 | Oil seal | 2 |
| 12 | SZ244610 | Bearing cup (L44610) | 4 |
| 13 | SZ244643 | Bearing cone (L44643) | 4 |
| 14 | SZ203291 | Snap ring - 329 (Eaton) | 3 |
| | SZPG-1850 | Pipe plug - 1/4" NPT (not shown) | 1 |
| | SZPG-1856 | T-Vent 1/4" NPT (not shown) | 1 |

*As needed.

Parts List - PTO drive



| Ref No. | Part No. | Description | Qty |
|---------|----------------|--|-----|
| | SZ0169648 | Complete IID with 5/16" cross hole - 48" closed length | 1 |
| | SZ01696481 | Tractor half with 5-7/8" OD bell shield (shaft) | 1 |
| | SZ016964815 | Machine half with 5-7/8" OD bell shield (tube) | 1 |
| 1 | SZ18230606 | 6N 1-3/8" 6-spline ball type snap hitch yoke | 1 |
| 2 | SZ304-0600 | 6N ball type snap hitch repair kit with shield (uni-shield) | 1 |
| 3 | SZ02010300 | Ball type snap jitch repair kit, less shield | 2 |
| 4 | SZ302-0600 | 6N cross and bearing kit, complete | 1 |
| 5 | SZ188-9006 | 3/4" x 7/8" rectangular shaft with 6N yoke - 21-1/4" long | 2 |
| 6 | SZ128-0600 | 6N shield bearing, ring and washer kit | 1 |
| 7 | SZ309N0648 | Inner plastic shield (2-3/8" OD) w/5-7/8" OD notched bell-33-1/4" long w/access hole | 1 |
| 8 | SZ30900648 | Outer plastic shield (2-11/16" OD) w/5-7/8" OD bell-19-3/8" long w/access hole | 1 |
| 9 | SZ186-9006 | Outer torque tube with 6N yoke and slip sleeve - 31-1/2" long | 1 |
| 10 | SZ184-06161 | 6N 1" round yoke with 5/16" cross hole | 1 |
| 11 | SZ66P5/16X10/0 | 5/16" x 1" spiral pin (through pin hole in item #5, inside outer torque tube) | 1 |

Farm King Limited Warranty

This document limits your warranty rights.

Base Limited Warranty

Buhler Industries Inc. provides this warranty only to original retail purchasers of its product. Buhler Industries Inc. warrants to such purchasers that all Buhler Industries Inc. manufactured parts and components used and serviced as provided for in the Operator's Manual shall be free from defects in materials and workmanship for a period following delivery to the original retail purchaser of 12 months (80 days for commercial applications). This limited warranty applies only to those parts and components manufactured by Buhler Industries Inc. Parts and components manufactured by others are subject to their manufacturer's warranties, if any.

Buhler Industries Inc. will fulfill this limited warranty by, at its option, repairing or replacing any covered part that is defective or is the result of improper workmanship, provided that the part is returned to Buhler Industries Inc. within thirty (30) days of the date that such defect or improper workmanship is, or should have been, discovered. Buhler Industries Inc. reserves the right to either inspect the product at the buyer's location or have it returned to the factory for inspection. Parts must be returned through the selling representative and the buyer must prepay transportation charges.

Buhler Industries Inc. will not be responsible for repairs or replacements that are necessitated, in whole or part, by the use of parts not manufactured by or obtained from Buhler Industries Inc. Under no circumstances are component parts warranted against normal wear and tear. There is no warranty on product pump seals, product pump bearings, rubber product hoses, pressure gauges, or other components that require replacement as part of normal maintenance. Also: Buckets and Bucket Tines carry no warranty, Bent Spears carry no warranty, Snowblower Fan Shafts carry no warranty, Mower Blades carry no warranty, Portable Auger Parts Have Two (2) Year Warranty, Loader Parts Have Two (2) Year Warranty. The purchaser is solely responsible for determining suitability of goods sold. This warranty is expressly in lieu of all other warranties expressed or implied. Buhler Industries Inc. will in no event be liable for any incidental or consequential damages whatsoever. Nor for any sum in excess of the price received for the goods for which liability is claimed.

Repair Parts Limited Warranty

Buhler Industries Inc. warrants Farm King replacement parts purchased after the expiration of the Buhler Industries Inc. Limited Warranty, and used and serviced as provided for in the Operator's Manual, to be free from defects in materials or workmanship for a period of thirty (30) days from the invoice date for the parts. Buhler Industries Inc. will fulfill this limited warranty by, at its option, repairing or replacing any covered part that is defective or is the result of improper workmanship, provided that the part is returned to Buhler Industries Inc. within thirty (30) days of the date that such defect or improper workmanship is, or should have been, discovered. Such parts must be shipped to Buhler Industries Inc. at the purchaser's expense.

What is Not Covered

Under no circumstances does this limited warranty cover any components or parts that have been subject to the following: negligence; alteration or modification not approved by Buhler Industries Inc.; misuse; improper storage; lack of reasonable and proper maintenance, service, or repair; normal wear; damage from failure to follow operating instructions; accident; and/or repairs that have been made with parts other than those manufactured, supplied, and or authorized by Buhler Industries Inc.

Authorized Dealer and Labor Costs

Repairs eligible for labor under this limited warranty must be made by Buhler Industries Inc. or an authorized Farm King dealer. Buhler Industries Inc. retains the exclusive discretion to determine whether it will pay labor costs for warranty repairs or replacements, and the amount of such costs that it will pay and the time in which the repairs will be made. If Buhler Industries Inc. determines that it will pay labor costs for warranty work, it will do so by issuing a credit to the dealer's or distributor's account. Buhler Industries Inc. will not approve or pay invoices sent for repairs that Buhler Industries Inc. has not previously approved. Warranty service does not extend the original term of this limited warranty.

Warranty Requirements

To be covered by warranty, each Farm King new product must be registered with Buhler Industries Inc. within thirty (30) days of delivery to original retail purchaser. If the customer decides to purchase replacement components before the warranty disposition of such components is determined, Buhler Industries Inc. will bill the customer for such components and then credit the replacement invoice for those components later determined to be covered by this limited warranty. Any such replacement components that are determined not be covered by this limited warranty will be subject to the terms of the invoice and shall be paid for by the purchaser.

Warranty Claims:

Warranty requests must be prepared on Buhler Industries Inc. Warranty Claim Forms with all requested information properly completed. Warranty Claims must be submitted within a thirty (30) day period from date of failure repair.

Warranty Labor:

Any labor subject to warranty must be authorized by Buhler Industries Inc. The labor rate for replacing defective parts, where applicable, will be credited at 100% of the dealer's posted shop rate. Defective parts will receive an extra 10% discount to assist with freight or other incidental costs.

Exclusive Effect of Warranty and Limitation of Liability

TO THE EXTENT PERMITTED BY LAW, BUHLER INDUSTRIES INC. DISCLAIMS ANY WARRANTIES, REPRESENTATIONS, OR PROMISES, EXPRESS OR IMPLIED, AS TO THE QUALITY, PERFORMANCE, OR FREEDOM FROM DEFECT OF THE COMPONENTS AND PARTS COVERED BY THIS WARRANTY AND NOT SPECIFICALLY PROVIDED FOR HEREIN.

TO THE EXTENT PERMITTED BY LAW, BUHLER INDUSTRIES INC. DISCLAIMS ANY IMPLIED WARRANTIES OF MERCHANTABILITY AND FITNESS FOR A PARTICULAR PURPOSE ON ITS PRODUCTS COVERED HEREIN, AND DISCLAIMS ANY RELIANCE BY THE PURCHASER ON BUHLER INDUSTRIES INC.'S SKILL OR JUDGMENT TO SELECT OR FURNISH GOODS FOR ANY PARTICULAR PURPOSE. THE PURCHASER'S ONLY AND EXCLUSIVE REMEDIES IN CONNECTION WITH THE BREACH OR PERFORMANCE OF ANY WARRANTY ON PRODUCTS MANUFACTURED BY BUHLER INDUSTRIES INC. ARE THOSE SET FORTH HEREIN. IN NO EVENT SHALL BUHLER INDUSTRIES INC. BE LIABLE FOR INCIDENTAL OR CONSEQUENTIAL DAMAGES (INCLUDING, BY WAY OF EXAMPLE ONLY AND NOT LIMITATION, LOSS OF CROPS, LOSS OF PROFITS OR REVENUE, OTHER COMMERCIAL LOSSES, INCONVENIENCE, OR COST OF REPLACEMENT OF RENTAL EQUIPMENT). IN NO EVENT SHALL FARM KING'S CONTRACT OR WARRANTY LIABILITY EXCEED THE PURCHASE PRICE OF THE PRODUCT.

(Note that some provinces or states do not allow limitations on how long an implied warranty lasts or the exclusion or limitation of incidental or consequential damages, so the above limitations and exclusion may not apply to you.) This warranty gives you specific legal rights and you may also have other rights, which vary from province to province or state to state.

Buhler Industries Inc. neither assumes nor authorizes any person or entity, including its selling representatives, to assume any other obligations or liability in connections with the sale of covered equipment, or to make any other warranties, representations, or promises, express or implied, as to the quality, performance, or freedom from defect of the components and parts covered herein. No one is authorized to alter, modify, or enlarge this limited warranty, or its exclusions, limitations and reservations.

Corrections of defects and improper workmanship in the manner, and for the applicable time periods, provided for herein shall constitute fulfillment of all responsibilities of Buhler Industries Inc. to the purchaser, and Buhler Industries Inc. shall not be liable in negligence, contract, or on any other basis with respect to the subject equipment.

This limited warranty is subject to any existing conditions of supply which may directly affect Buhler Industries Inc.'s ability to obtain materials or manufacture replacement parts.

Buhler Industries Inc. reserves the right to make improvements in design or changes in specifications to its products at anytime, without incurring any obligation to owners of units previously sold.

Government Legislation:

Warranty terms and conditions are subject to provincial or state legislation.

Important Note: This warranty does not apply to rentals.

Serial Number Location

The following page contains a space for you to record the information about your portable grain auger found on this plate. Please record this information here for future reference.

NOTE: The auger serial number is located on the second upright support on the lower cradle.

Farm King Number: _____

Farm King Serial Number: _____

Component Serial Numbers:

| Manufacturer | Part Number | Serial No. | Notes: |
|--------------|-------------|------------|--------|
| | | | |
| | | | |
| | | | |
| | | | |

www.farm-king.com

Farm King

1330 43rd Street NW
Fargo, ND USA 58102
Ph.: 701.282.7014 | Fax: 701.282.5865
Toll Free: 888.524.1004
E-mail: info@buhler.com
www.farm-king.com

Equipment shown is subject to change without notice.
©2010 Buhler Trading Inc. Printed in USA. TSX:BUI

bühler | a division of Buhler Industries Inc.