

**TABLE OF CONTENTS**

<b>DESCRIPTION</b>	<b>PAGE</b>
Warranty.....	1
Safety Decals .....	2
Assembly Instructions .....	3
4" Utility Auger Parts List.....	4
4" Utility Auger Drawing .....	6
Shipping Bundles .....	7

## **WARRANTY REGISTRATION AND POLICY**

Buhler Manufacturing products are warranted for a period of twelve (12) months from original date of purchase, by original purchaser, to be free from defects in material and workmanship under correct, normal agricultural use and proper applications.

Buhler Manufacturing's obligations under this warranty shall be limited to the repair or exchange, at Buhler Manufacturing's option, of any Buhler Manufacturing product or part which proves to be defective as provided. Buhler Manufacturing reserves the right to either inspect the product at the buyer's location or have it returned to the factory for inspection.

The above warranty does not extend to goods damaged or subject to accident, abuse or misuse after shipment from Buhler Manufacturing's factory, nor to goods altered or repaired by anyone other than an authorized Buhler Manufacturing representative.

Buhler Manufacturing makes no Express Warranties other than those, which are specifically described. Any description of goods, including any references and specifications in catalogues, circulars and other written material published, is for the sole purpose of identifying goods and shall conform to such descriptions. Any sample or model is for illustrative purposes only and does not create an Express Warranty that the goods conform to sample or model shown.

The purchaser is solely responsible for determining suitability of goods sold. This warranty is expressly in lieu of all other warranties expressed or implied. Buhler Manufacturing will in no event be liable for any incidental or consequential damages whatsoever. Nor for any sum in excess of the price received for the goods for which liability is claimed.

### **WARRANTY CLAIMS:**

Warranty requests must be prepared on Buhler Manufacturing Warranty Claim Forms with all requested information properly completed. Warranty Claims must be submitted within a thirty (30) day period from date of failure repair.

### **WARRANTY LABOR:**

Any labor subject to warranty **must** be authorized by Buhler Manufacturing. The labor rate for replacing defective parts, where applicable, will be credited at a rate determined by the Company, Buhler Manufacturing.

### **IMPORTANT FACTS:**

**Buckets and Bucket Tines Carry No Warranty**

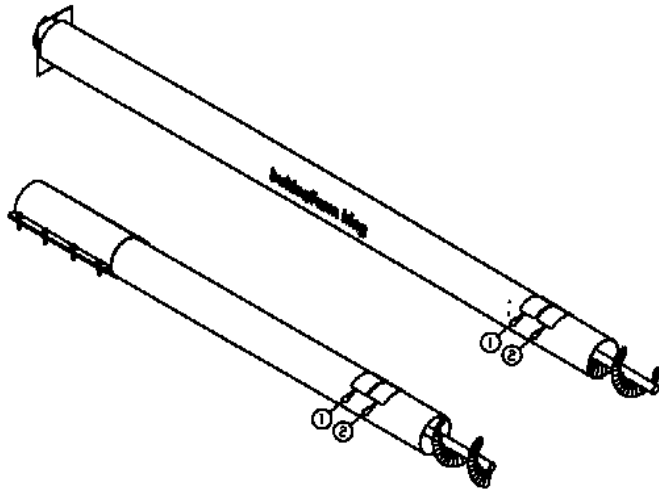
**Bent Spears Carry No Warranty**

**Snowblower Fan Shafts Carry No Warranty**

**Mower Blades Carry No Warranty**

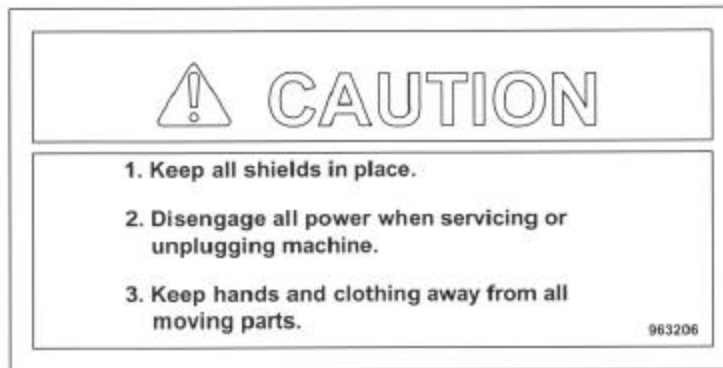
**Portable Auger Parts Have Two (2) Year Warranty**

4" UTILITY AUGER



U4-02

SAFETY DECALS



#1



#2

**4" UTILITY AUGER ASSEMBLY INSTRUCTIONS**

1. Fasten motor mount (#11) with  $\frac{1}{2}$ " x  $7 \frac{3}{8}$ " pin (#37) and a cotter pin (#38) to the welded brackets at the top of the motor mount plate.
2. Mount 6" pulley (#4) using key (#16) and set screw supplied with pulley.
3. Fasten grain deflector (#12) with  $\frac{1}{4}$ " x  $\frac{3}{4}$ " bolt and hex nut.
4. Assemble box clamp (#8) on auger tube using existing bolts supplied with box clamp.
5. Attach handle (#3) with  $\frac{5}{16}$ " x  $1 \frac{1}{2}$ " stove bolt (#14) and a wing nut (#15).
6. Fasten intake bottom plate (#24) using  $\frac{5}{16}$ " x  $1 \frac{1}{4}$ " bolts (#13), lock washers and hex nuts.
7. Mount the 2" pulley (#5) on an electric motor and assemble motor with belt (#6) on the motor mount. Be certain that the belt is sufficiently tight before assembling pulley guard.
8. Use a flat washer and a hex nut to fasten the belt guard (#7) to the motor mount. Bolt the left (#29) and the right (#30) guard back plates to the guard using  $\frac{1}{4}$ " x  $\frac{1}{2}$ " bolts (#35), lock washers and hex nuts.

**OPTIONAL FEED CONTROL**

Fasten feed control clamp (#26) approximately 37" from intake end of auger tube.

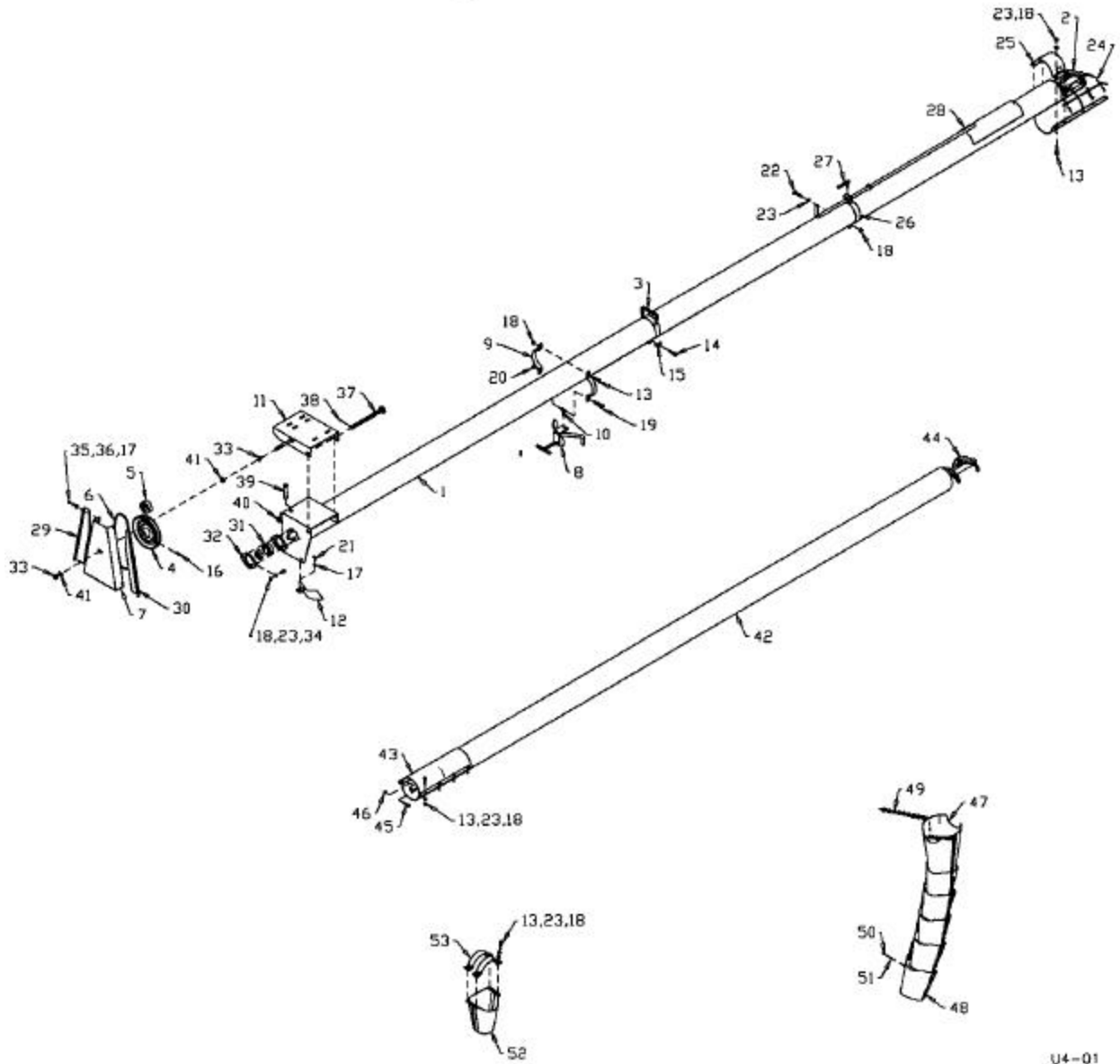
**WHEN ORDERING PARTS**

Always give your dealer the Model, Color and Serial Number of your machine to assist him in ordering and obtaining the correct parts. Use the exploded view and tabular listing of the area of interest to exactly identify the required part.

**4" UTILITY AUGER**

<b>ITEM</b>	<b>PART #</b>	<b>DESCRIPTION</b>
1	963125	4" x 10' Tube
	963126	4" x 15' Tube
	963127	4" x 20' Tube
2	963104	4" x 11' Flighting
	963105	4" x 16' Flighting
	963106	4" x 21' Flighting
3	963107	Handle
4	963110	6" Sheave - 3/4" Bore
5	963111	2" Sheave - 5/8" Bore
6	963112	Belt (A-26)
7	905686	Belt Guard
8	963134	Box Clamp
9	963135	Pipe Clamp
10	963136	Clamp Swivel
11	905679	Motor Mount ('04 & Up)
12	963117	Grain Deflector
13	81552	5/16" x 1 1/4" Hex Bolt (pl)
14	967111	5/16" x 1 1/2" RD HD Stove Bolt (pl)
15	968601	5/16" Wing Nut
16	902944	6" Pulley Key
17	81544	1/4" Hex Nut (pl)
18	81568	5/16" Hex Nut (pl)
19	811795	3/8" x 2" Hex Bolt
20	81592	3/8" Hex Nut (pl)
21	81525	1/4" x 3/4" Hex Bolt (pl)
22	81553	5/16" x 1 1/2" Hex Bolt (pl)
23	81569	5/16" Lock Washer (pl)
24	963141	Intake Bottom Plate
25	963142	Intake Clamp
26	963144	Clamp Only
27	963145	Screw Only
28	963146	Feed Control Slide Only
29	963148	Belt Guard Back Section (Left Hand)
30	963149	Belt Guard Back Section (Right Hand)

31	963130	3/4" Bearing c/w Collar
32	963131	3/4" Flange (47MST)
33	81614	7/16" Hex Nut (pl)
34	81549	5/16" x 3/4" Hex Bolt (pl)
35	81523	1/4" x 1/2" Hex Bolt (pl)
36	81545	1/4" Lock Washer (pl)
37	963024	Heavy Duty Motor Mount Pin
38	9812430	1/8" x 1" Cotter Pin (pl)
39	967251	1/2" x 2 1/2" Square Hd. Set Screw (pl)
40	813508	1/2" Hex Nut (pl)
41	84048	1/2" BS Flat Washer
42	963121	4" x 10' Tube
43	963123	4" Extension Coupling
44	963122	4" x 10' Flighting
45	9812348	1/4" x 1 1/4" Gr. 8 Hex Bolt (pl)
46	84498	1/4" Lock Nut (pl)
47	902971	9 1/8" X 23 1/2" Top Section
48	902972	8 5/8" x 16 7/8" Bottom Section
49	952050-000	39 1/2" Chain
50	967113	Pop Rivets (AD56BS)
51	981358	1/8" BS Flat Washer (pl)
52	902965	4" Spout
53	902925	1" X 7 1/2" Spout Clamp



U4-01

**4" UTILITY AUGERS – SHIPPING BUNDLES**

<b>QUANTITY REQUIRED</b>	<b>BUNDLE NUMBER</b>	<b>DESCRIPTION</b>
<b>4" x 11' UTILITY AUGER – BUNDLE NUMBER Y411</b>		
1	F0102	4" x 11' utility Auger
1	F0105	Carton of Parts
<b>4" x 16' UTILITY AUGER – BUNDLE NUMBER Y416</b>		
1	F0103	4" x 16' Utility Auger
1	F0105	Carton of Parts
<b>4" x 21' UTILITY AUGER – BUNDLE NUMBER Y421</b>		
1	F0104	4" x 21' Utility Auger
1	F0105	Carton of Parts

**OPTIONS:**

F1030	4" x 10' Extension
F1002	4" Flow Control
F3001	4" Flex Spout
F1003	4" Bolt-on Spout
F215	Mini Poly Hopper