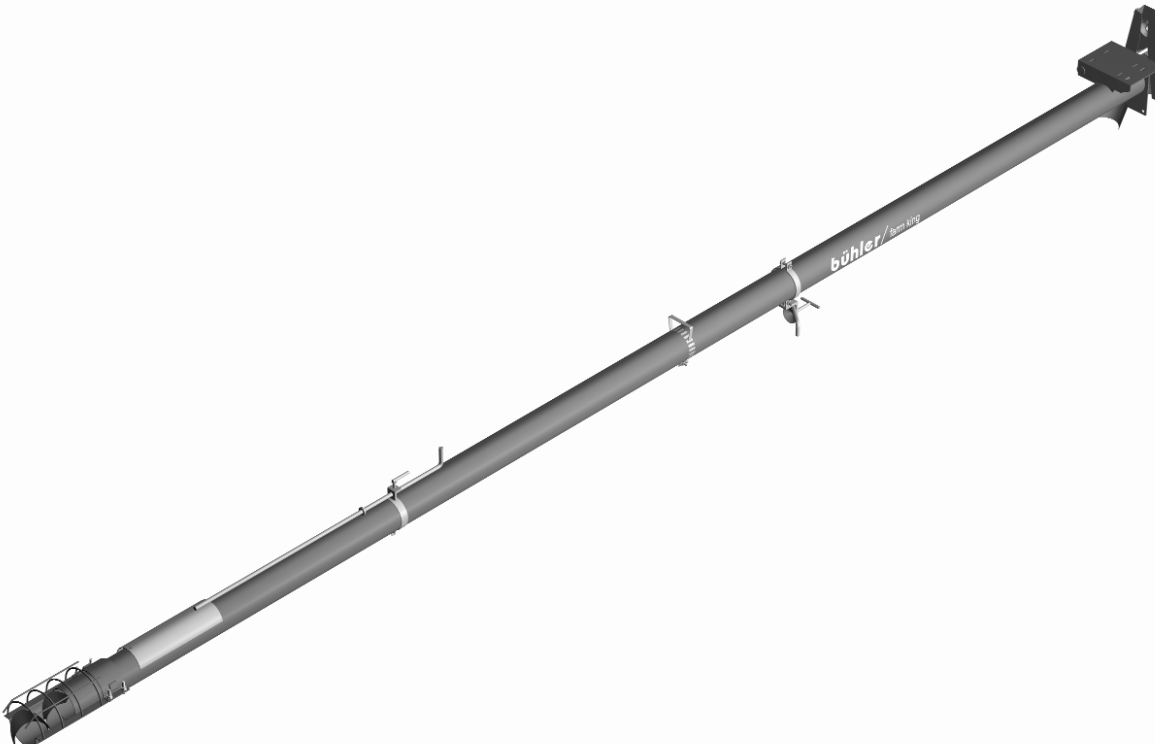


bühler

farm king



4" Utility Auger

Operator's and Parts Manual
FK338

2007

TABLE OF CONTENTS

DESCRIPTION	PAGE
Warranty	1
Safety Decals.....	2
Assembly Instructions.....	3
4" Utility Auger Parts List	4
4" Utility Auger Drawing	6
Shipping Bundles	7

WARRANTY POLICY

Buhler Manufacturing products are warranted for a period of twelve (12) months (90 days for commercial application) from original date of purchase, by original purchaser, to be free from defects in material and workmanship under correct, normal agricultural use and proper applications.

Buhler Manufacturing's obligations under this warranty shall be limited to the repair or exchange, at Buhler Manufacturing's option, of any Buhler Manufacturing product or part which proves to be defective as provided. Buhler Manufacturing reserves the right to either inspect the product at the buyer's location or have it returned to the factory for inspection.

The above warranty does not extend to goods damaged or subject to accident, abuse or misuse after shipment from Buhler Manufacturing's factory, nor to goods altered or repaired by anyone other than an authorized Buhler Manufacturing representative.

Buhler Manufacturing makes no Express Warranties other than those, which are specifically described. Any description of goods, including any references and specifications in catalogues, circulars and other written material published, is for the sole purpose of identifying goods and shall conform to such descriptions. Any sample or model is for illustrative purposes only and does not create an Express Warranty that the goods conform to sample or model shown.

The purchaser is solely responsible for determining suitability of goods sold. This warranty is expressly in lieu of all other warranties expressed or implied. Buhler Manufacturing will in no event be liable for any incidental or consequential damages whatsoever. Nor for any sum in excess of the price received for the goods for which liability is claimed.

WARRANTY CLAIMS:

Warranty requests must be prepared on Buhler Manufacturing Warranty Claim Forms with all requested information properly completed. Warranty Claims must be submitted within a thirty (30) day period from date of failure repair.

WARRANTY LABOR:

Any labor subject to warranty **must** be authorized by Buhler Manufacturing. The labor rate for replacing defective parts, where applicable, will be credited at 100% of the dealer's posted shop rate. Defective parts will receive an extra 10% discount to assist with freight or other incidental costs.

GOVERNMENT LEGISLATION:

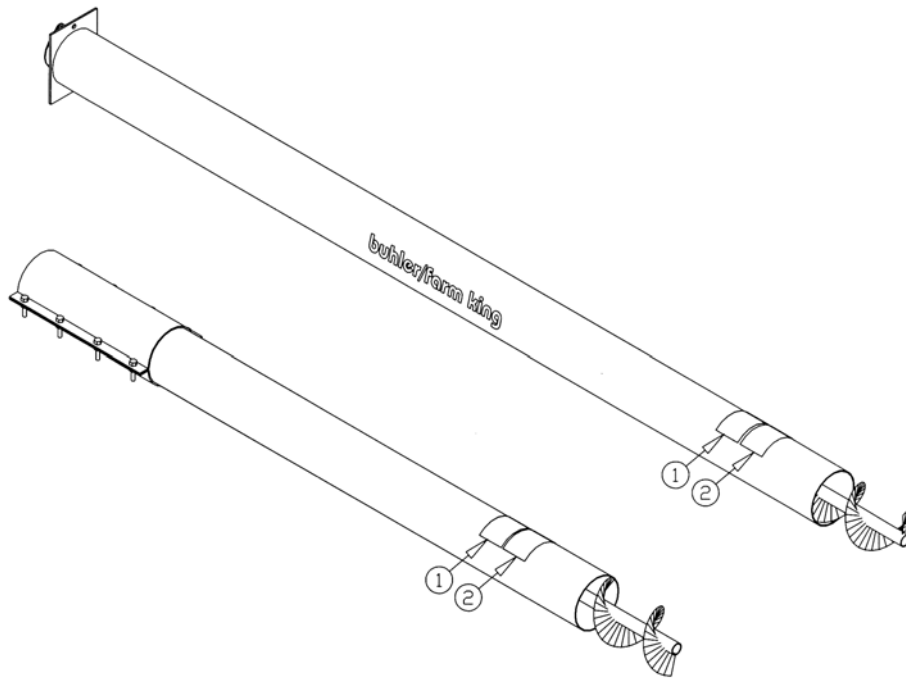
Warranty terms and conditions are subject to Provincial or State legislation.

IMPORTANT FACTS:

Buckets and Bucket Tines Carry No Warranty
Bent Spears Carry No Warranty
Snowblower Fan Shafts Carry No Warranty
Mower Blades Carry No Warranty
Portable Auger Parts Have Two (2) Year Warranty
Loader Parts Have Two (2) Year Warranty

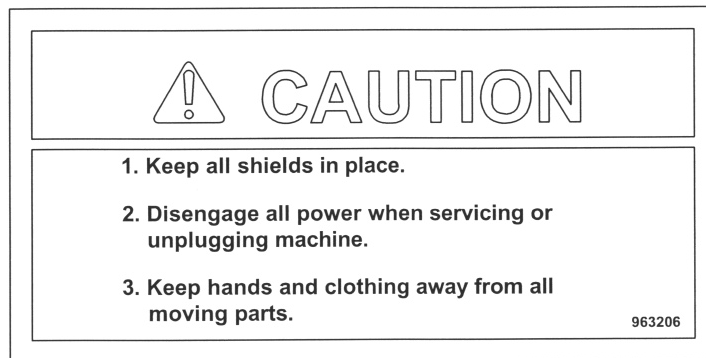
IMPORTANT NOTE: This warranty does not apply to rentals

4" UTILITY AUGER



UA-02

SAFETY DECALS



#1



#2

Replace safety signs immediately should they become damaged, torn or illegible. Obtain replacements from your authorized dealer using the part numbers shown.

4" UTILITY AUGER ASSEMBLY INSTRUCTIONS

1. Fasten motor mount (#11) with $\frac{1}{2}$ " x $7 \frac{3}{8}$ " pin (#37) and a cotter pin (#38) to the welded brackets at the top of the motor mount plate.
2. Mount 6" sheave (#4) using key (#16) and set screw supplied with sheave.
3. Fasten grain deflector (#12) with $\frac{1}{4}$ " x $\frac{3}{4}$ " bolt (#21) and hex nut (#17).
4. Assemble box clamp (#8) on auger tube using existing bolts supplied with box clamp.
5. Attach handle (#3) with $\frac{5}{16}$ " x $1 \frac{1}{2}$ " stove bolt (#14) and a wing nut (#15).
6. Fasten intake bottom plate (#24) using an intake clamp (#25) with $\frac{5}{16}$ " x $1 \frac{1}{4}$ " bolts (#13), lock washers (#23) and hex nuts (#18).
7. Mount the 2" sheave (#5) on an electric motor and assemble motor with belt (#6) on the motor mount. Be certain that the belt is sufficiently tight before assembling pulley guard.
8. Use a flat washer (#41) and a hex nut (#33) to fasten the belt guard (#7) to the motor mount. Bolt the left (#29) and the right (#30) guard back plates to the guard using $\frac{1}{4}$ " x $\frac{1}{2}$ " bolts (#35), lock washers (#36) and hex nuts (#17).

OPTIONAL FEED CONTROL

Fasten feed control clamp (#26) approximately 37" from intake end of auger tube.

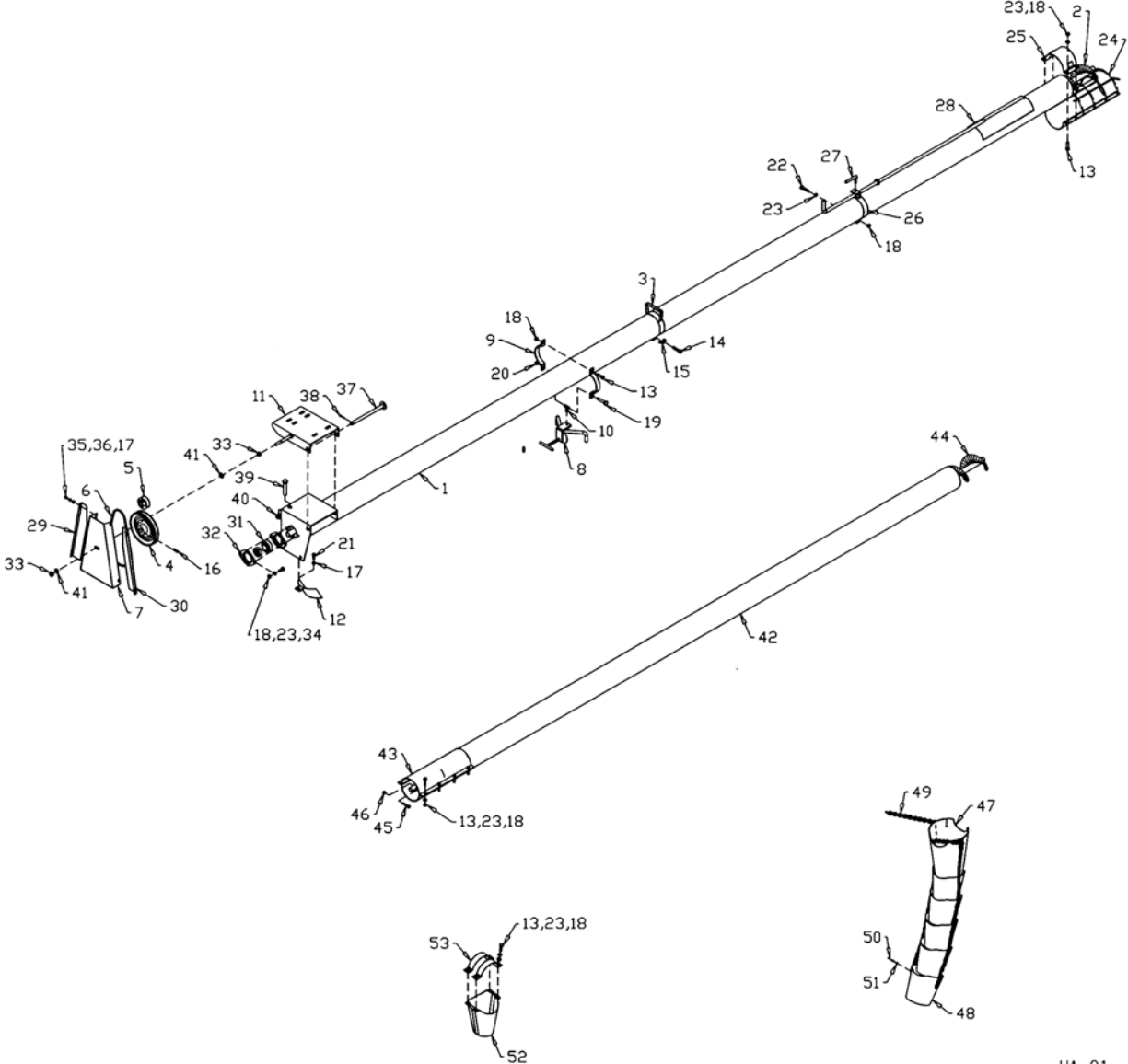
WHEN ORDERING PARTS

Always give your dealer the Model, Color and Serial Number of your machine to assist him in ordering and obtaining the correct parts. Use the exploded view and tabular listing of the area of interest to exactly identify the required part.

4" UTILITY AUGER

ITEM	PART #	DESCRIPTION
1	905681	4" x 10' Tube
	905682	4" x 15' Tube
	905683	4" x 20' Tube
2	963104	4" x 11' Flighting
	963105	4" x 16' Flighting
	963106	4" x 21' Flighting
3	963107	Handle
4	963110	6" Sheave - 3/4" Bore
5	963111	2" Sheave - 5/8" Bore
6	963112	Belt (A-26)
7	905686	Belt Guard
8	963133	Box Clamp Assembly
	963134	Box Clamp
9	963135	Pipe Clamp
10	963136	Clamp Swivel
11	905679	Motor Mount ('04 & Up)
12	963117	Grain Deflector
13	81552	5/16" x 1 1/4" Hex Bolt (pl)
14	967111	5/16" x 1 1/2" RD HD Stove Bolt (pl)
15	968601	5/16" Wing Nut
16	902944	6" Sheave Key
17	81544	1/4" Hex Nut (pl)
18	81568	5/16" Hex Nut (pl)
19	811795	3/8" x 2" Hex Bolt
20	81592	3/8" Hex Nut (pl)
21	81525	1/4" x 3/4" Hex Bolt (pl)
22	81553	5/16" x 1 1/2" Hex Bolt (pl)
23	81569	5/16" Lock Washer (pl)
24	963141	Intake Bottom Plate
25	963142	Intake Clamp
26	963144	Clamp Only
27	963145	Screw Only
28	963146	Feed Control Slide Only
29	905684	Belt Guard Back Section (Left Hand)
30	905685	Belt Guard Back Section (Right Hand)

31	963130	3/4" Bearing c/w Collar
32	963131	3/4" Flange (47MST)
33	81614	7/16" Hex Nut (pl)
34	81549	5/16" x 3/4" Hex Bolt (pl)
35	81523	1/4" x 1/2" Hex Bolt (pl)
36	81545	1/4" Lock Washer (pl)
37	902996	Heavy Duty Motor Mount Pin
38	9812430	1/8" x 1" Cotter Pin (pl)
39	907986	1/2" X 2 1/2" Hex Bolt Full Thread (pl)
40	81636	1/2" Hex Nut (pl)
41	84048	1/2" BS Flat Washer
42	963121	4" x 10' Tube
43	963123	4" Extension Coupling
44	963122	4" x 10' Flighting
45	9812348	1/4" x 1 1/4" Gr. 8 Hex Bolt (pl)
46	84498	1/4" Lock Nut (pl)
47	902971	9 1/8" X 23 1/2" Top Section
48	902972	8 5/8" x 16 7/8" Bottom Section
49	952050-000	39 1/2" Chain
50	967168	Pop Rivets (AD56BS)
51	981358	1/8" BS Flat Washer (pl)
52	902965	4" Spout
53	905690	1" X 7 1/2" Spout Clamp



UA-01

4" UTILITY AUGERS – SHIPPING BUNDLES

QUANTITY REQUIRED	BUNDLE NUMBER	DESCRIPTION
4" x 11' UTILITY AUGER – BUNDLE NUMBER Y411		
1	F0102	4" x 11' utility Auger
1	F0105	Carton of Parts
4" x 16' UTILITY AUGER – BUNDLE NUMBER Y416		
1	F0103	4" x 16' Utility Auger
1	F0105	Carton of Parts
4" x 21' UTILITY AUGER – BUNDLE NUMBER Y421		
1	F0104	4" x 21' Utility Auger
1	F0105	Carton of Parts

OPTIONS:

F1030	4" x 10' Extension
F1002	4" Flow Control
F3001	4" Flex Spout
F0106	4" Bolt-on Spout
F215	Mini Poly Hopper

DIVISION LOCATIONS

Farm King Division
301 Mountain Street S.
Morden, MB R6M 1X7
Ph.: (204) 822-4467
Fax: (204) 822-6348

Allied Division
1201 Regent Ave. W.
Box 1003
Winnipeg, MB R2C 3B2
Ph.: (204) 661-8711
Fax: (204) 654-2503

Inland Division
675 Washington Ave.
Winnipeg, MB R2K 1M4
Ph: (204) 667-7854
Fax: (204) 669-2599

B.I.I. Division
1330 43rd Street N.W.
Fargo, ND 58102
Ph: (701) 282-7014
Fax: (701) 282-5865

CANADIAN WAREHOUSES

B.C., Abbotsford
(604) 864-2665

AB, Edmonton
(403) 962-6991

SK, Regina
(306) 781-2300

ON, Woodstock
(519) 539-0435

ON, Jasper
(613) 283-1758

QC, Dorion
(450) 455-4840

U.S. WAREHOUSES

AR, West Memphis
(870) 732-3132

GA, Stone Mountain
(770) 908-9439

IA, Lakeview
(712) 657-8585

ID, Meridian
(208) 887-6006

IN, Clarksville
(812) 284-3376

KS, Wichita
(316) 265-9577

MN, Lakeville
(952) 469-5267

MT, Billings
(406) 248-7771

ND, Bismarck
(701) 223-1886

ND, Fargo
(701) 282-7003

NY, Syracuse
(315) 463-5276

OH, Youngstown
(330) 793-0862

OR, Portland
(503) 234-0378

SD, Huron
(605) 352-8616

TX, Houston
(713) 928-2632

UT, Salt Lake City
(801) 972-4321

WI, Portage
(608) 742-1370

OFFSHORE WAREHOUSES

Burando Hill
Katanning
W. Australia
011-618-98-214422

Chihuahua, Mexico
011-52-158-90306

John Kerr Equipment Ltd.
Wilcoxholm Farm
Linlithgow, W. Lothian
Scotland
011-441-506-842280

Skovde, Sweden
011-46-500-452651

Naestved, Denmark
011-45-557-29511

bühler

Buhler Manufacturing "a partnership"

301 Mountain Street S.
Morden MB.
R6M 1X7
Ph.: (204) 822-4467
Fax: (204) 822-6348
www.buhler.com