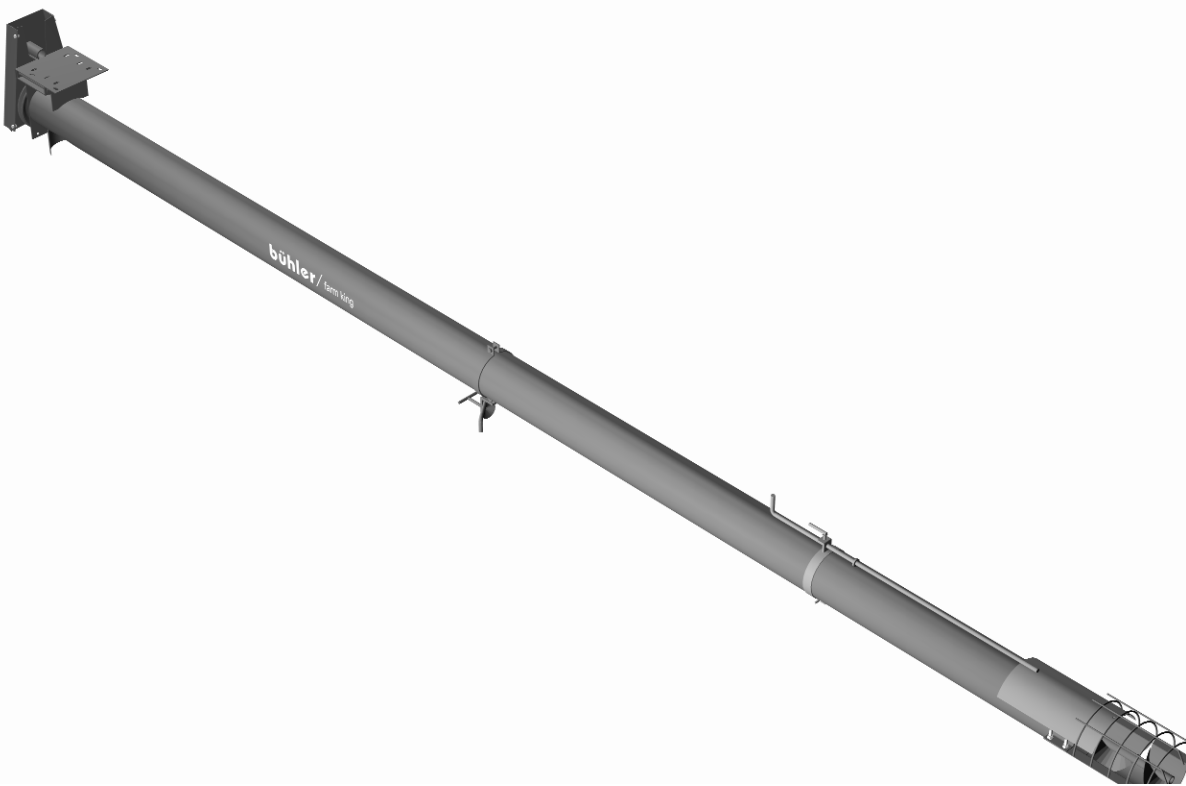


bühler

farm king



5" & 6" Utility Augers

Operator's and Parts Manual
FK339

2006

TABLE OF CONTENTS

DESCRIPTION	PAGE
Warranty	1
Safety Decals.....	2
Assembly Instructions.....	3
5" & 6" Utility Auger Parts List.....	4
5" & 6" Utility Auger Drawing.....	6
Shipping Bundles	7

WARRANTY POLICY

Buhler Manufacturing products are warranted for a period of twelve (12) months (90 days for commercial application) from original date of purchase, by original purchaser, to be free from defects in material and workmanship under correct, normal agricultural use and proper applications.

Buhler Manufacturing's obligations under this warranty shall be limited to the repair or exchange, at Buhler Manufacturing's option, of any Buhler Manufacturing product or part which proves to be defective as provided. Buhler Manufacturing reserves the right to either inspect the product at the buyer's location or have it returned to the factory for inspection.

The above warranty does not extend to goods damaged or subject to accident, abuse or misuse after shipment from Buhler Manufacturing's factory, nor to goods altered or repaired by anyone other than an authorized Buhler Manufacturing representative.

Buhler Manufacturing makes no Express Warranties other than those, which are specifically described. Any description of goods, including any references and specifications in catalogues, circulars and other written material published, is for the sole purpose of identifying goods and shall conform to such descriptions. Any sample or model is for illustrative purposes only and does not create an Express Warranty that the goods conform to sample or model shown.

The purchaser is solely responsible for determining suitability of goods sold. This warranty is expressly in lieu of all other warranties expressed or implied. Buhler Manufacturing will in no event be liable for any incidental or consequential damages whatsoever. Nor for any sum in excess of the price received for the goods for which liability is claimed.

WARRANTY CLAIMS:

Warranty requests must be prepared on Buhler Manufacturing Warranty Claim Forms with all requested information properly completed. Warranty Claims must be submitted within a thirty (30) day period from date of failure repair.

WARRANTY LABOR:

Any labor subject to warranty **must** be authorized by Buhler Manufacturing. The labor rate for replacing defective parts, where applicable, will be credited at 100% of the dealer's posted shop rate. Defective parts will receive an extra 10% discount to assist with freight or other incidental costs.

GOVERNMENT LEGISLATION:

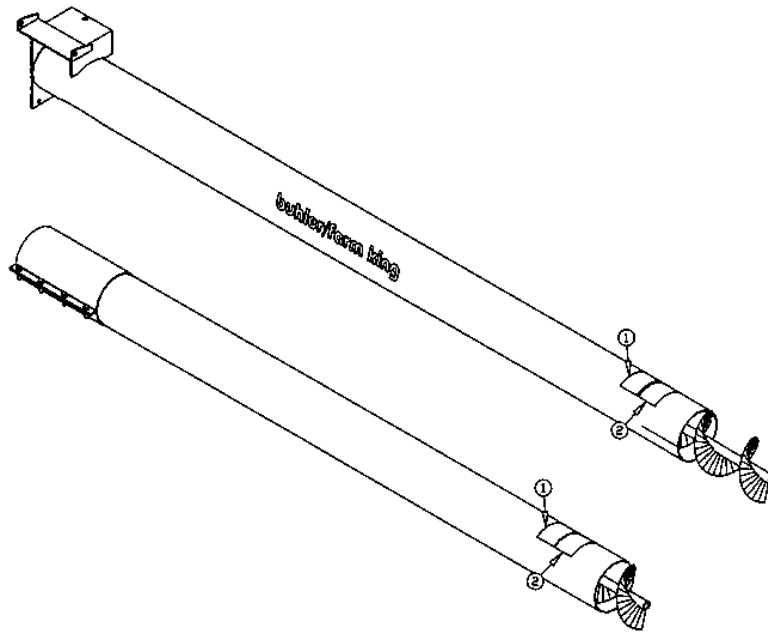
Warranty terms and conditions are subject to Provincial or State legislation.

IMPORTANT FACTS:

Buckets and Bucket Tines Carry No Warranty
Bent Spears Carry No Warranty
Snowblower Fan Shafts Carry No Warranty
Mower Blades Carry No Warranty
Portable Auger Parts Have Two (2) Year Warranty
Loader Parts Have Two (2) Year Warranty

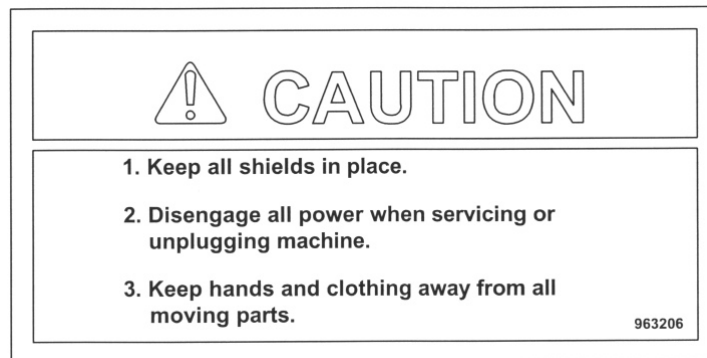
IMPORTANT NOTE: This warranty does not apply to rentals

5" & 6" UTILITY AUGER



U5&6-02

SAFETY DECALS



#1



#2

Replace safety signs immediately should they become damaged, torn or illegible. Obtain replacements from your authorized dealer using the part numbers shown.

5" & 6" UTILITY AUGER ASSEMBLY INSTRUCTIONS

1. Fasten motor mount (#10) with $\frac{1}{2}$ " x $7\frac{1}{2}$ " pin (#16), cotter pin (#32) and $\frac{9}{16}$ " washer (#31) using washer as spacer between mount and frame.
2. Install 8" pulley (#5) with set screws and $\frac{1}{4}$ " x $1\frac{1}{2}$ " key (#19).
3. Fasten grain deflector (#6) with $\frac{1}{4}$ " x $\frac{3}{4}$ " hex bolt (#24) and hex nut (#26).
4. $\frac{1}{2}$ " x 3" sq. hd. set screw (#18) is used as belt tightener underneath motor mount.
5. Fasten intake bottom plate (#11) using an intake clamp (#12) with $\frac{5}{16}$ " x $1\frac{1}{4}$ " hex bolts (#33), lock washers (#30) and hex nuts (#29).
6. Fasten feed control clamp (#13) approximately 37" from intake end of auger tube (OPTIONAL)
7. To fasten belt guard (#17) use: $\frac{7}{16}$ " flat washer (#20), lock washer (#21), and hex nut (#22). Bolt guard back plates (#36) & (#37) to guard using $\frac{1}{4}$ " x $\frac{1}{2}$ " hex bolts (#23), lockwashers (#25) and hex nuts (#26).

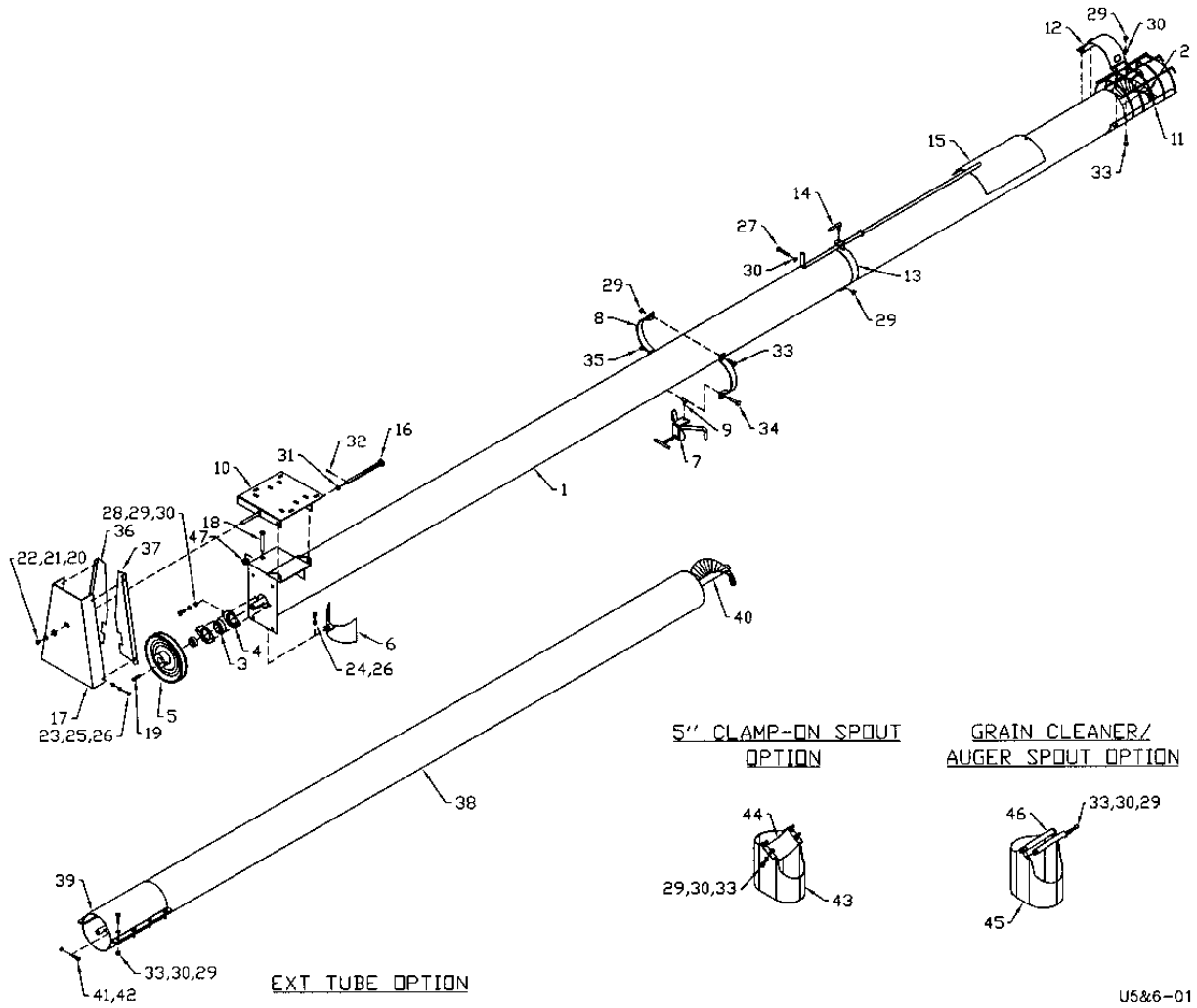
WHEN ORDERING PARTS

Always give your dealer the Model, Color and Serial Number of your machine to assist him in ordering and obtaining the correct parts. Use the exploded view and tabular listing of the area of interest to exactly identify the required part.

5" & 6" UTILITY AUGER

ITEM	PART #	DESCRIPTION
1	963517	Tube - 5" x 10'
	963617	Tube - 6" x 10'
	963518	Tube - 5" x 15'
	963618	Tube - 6" x 15'
	963519	Tube - 5" x 20'
	963619	Tube - 6" x 20'
2	963504	Flighting - 5" x 11'
	963604	Flighting - 6" x 11'
	963505	Flighting - 5" x 16'
	963605	Flighting - 6" x 16'
	963506	Flighting - 5" x 21'
	963606	Flighting - 6" x 21'
3	961627	1" Bearing c/w Collar
4	963009	1" Bearing Flange
5	963020	8" Single Pulley, 1" Bore
6	963514	Grain Deflector - 5"
	963616	Grain Deflector - 6"
7	963134	Box Clamp
8	963512	Pipe Clamp - 5" (2 Required)
	963610	Pipe Clamp - 6" (2 Required)
9	963136	Clamp Swivel - 5' & 6'
10	963021	Motor Mount Plate
11	963521	5" Intake Bottom Plate
	963621	6" Intake Bottom Plate
12	963520	5' Intake Clamp
	963622	6" Intake Clamp
13	963524	5" Clamp Only
	963623	6" Clamp Only
14	963145	5" & 6" Screw Only
15	963525	5" Feed Control Slide Only
	963624	6" Feed Control Slide Only
16	902996	1/2" x 7 1/2" Hinge Pin
17	963025	Belt Guard

18	963030	1/2" x 3" Sq. Hd. Set Screw
19	963026	1/4" x 1 1/2" Key
20	981616	7/16" Flat Washer (pl)
21	81615	7/16" Lock Washer (pl)
22	81614	7/16" Hex Nut (pl)
23	81523	1/4" x 1/2" Hex Bolt (pl)
24	81525	1/4" x 3/4" Hex Bolt (pl)
25	81545	1/4" Lock Washer (pl)
26	81544	1/4" Hex Nut (pl)
27	81553	5/16" x 1 1/2" Hex Bolt (pl)
28	81549	5/16" x 3/4" Hex Bolt (pl)
29	81568	5/16" Hex Nut (pl)
30	81569	5/16" Lock Washer (pl)
31	81638	9/16" ID Flat Washer (pl)
32	9812430	1/8" x 1" Cotter Pin (pl)
33	81552	5/16" x 1 1/4" Hex Bolt (pl)
34	811795	3/8" x 2" Hex Bolt (pl)
35	81592	3/8" Hex Nut (pl)
36	963098	Guard Back Pl. - Right
37	963099	Guard Back Pl. - Left
38	963527	Tube - 5" x 10'
	963627	Tube - 6" x 10'
39	963529	5" Extension Coupling
	963629	6" Extension Coupling
40	963528	5" x 10' Flighting w/ Coupling Shaft
	963628	6" x 10' Flighting w/ Coupling Shaft
41	9812349	1/4" x 1 1/2" Gr.8 Hex Bolt (pl)
42	84498	1/4" Lock Nut (pl)
43	902969	5" Spout
44	902970	5" Clamp
45	902967	6" Spout Assembly
46	902968	3/4" x 10 1/2" Spout Clamps
47	81636	1/2" Hex Nut (pl)



U5&6-01

5" & 6" UTILITY AUGERS – SHIPPING BUNDLES

QUANTITY REQUIRED	BUNDLE NUMBER	DESCRIPTION
5" x 11' UTILITY AUGER – BUNDLE NUMBER Y511		
1	F1100	5" x 11' Utility Auger
1	F1101	Carton of Parts

5" x 16' UTILITY AUGER – BUNDLE NUMBER Y516		
1	F1101	Carton of Parts
1	F1110	5" x 16' Utility Auger

5" x 21' UTILITY AUGER – BUNDLE NUMBER Y521		
1	F1101	Carton of Parts
1	F1120	5" x 21' Utility Auger

OPTIONS:

F1130	5" x 10' Extension
F1102	5" Flow Control
F1104	5" Bolt-on Spout

6" x 11' UTILITY AUGER – BUNDLE NUMBER Y611		
1	F1200	6" x 11' Utility Auger
1	F1201	Carton of Parts

6" x 16' UTILITY AUGER – BUNDLE NUMBER Y616		
1	F1201	Carton of Parts
1	F1210	6" x 16' Utility Auger

6" x 21' UTILITY AUGER – BUNDLE NUMBER Y621		
1	F1201	Carton of Parts
1	F1220	6" x 21' Utility Auger

OPTIONS:

F1230	6" x 10' Extension
F1203	6" Flow Control
F1202	6" Bolt-on Spout
F3002	Flex Spout (galvanized)

DIVISION LOCATIONS

Farm King Division
301 Mountain Street S.
Morden, MB R6M 1X7
Ph.: (204) 822-4467
Fax: (204) 822-6348

Allied Division
1201 Regent Ave. W.
Box 1003
Winnipeg, MB R2C 3B2
Ph.: (204) 661-8711
Fax: (204) 654-2503

Inland Division
675 Washington Ave.
Winnipeg, MB R2K 1M4
Ph: (204) 667-7854
Fax: (204) 669-2599

B.I.I. Division
1330 43rd Street N.W.
Fargo, ND 58102
Ph: (701) 282-7014
Fax: (701) 282-5865

CANADIAN WAREHOUSES

B.C., Abbotsford
(604) 864-2665

AB, Edmonton
(403) 962-6991

SK, Regina
(306) 781-2300

ON, Woodstock
(519) 539-0435

ON, Jasper
(613) 283-1758

QC, Dorion
(450) 455-4840

U.S. WAREHOUSES

AR, West Memphis
(870) 732-3132

GA, Stone Mountain
(770) 908-9439

IA, Lakeview
(712) 657-8585

ID, Meridian
(208) 887-6006

IN, Clarksville
(812) 284-3376

KS, Wichita
(316) 265-9577

MN, Lakeville
(952) 469-5267

MT, Billings
(406) 248-7771

ND, Bismarck
(701) 223-1886

ND, Fargo
(701) 282-7003

NY, Syracuse
(315) 463-5276

OH, Youngstown
(330) 793-0862

OR, Portland
(503) 234-0378

SD, Huron
(605) 352-8616

TX, Houston
(713) 928-2632

UT, Salt Lake City
(801) 972-4321

WI, Portage
(608) 742-1370

OFFSHORE WAREHOUSES

Burando Hill
Katanning
W. Australia
011-618-98-214422

Chihuahua, Mexico
011-52-158-90306

John Kerr Equipment Ltd.
Wilcoxholm Farm
Linlithgow, W. Lothian
Scotland
011-441-506-842280

Skovde, Sweden
011-46-500-452651

Naestved, Denmark
011-45-557-29511

bühler

Buhler Manufacturing "a partnership"

301 Mountain Street S.
Morden MB.
R6M 1X7
Ph.: (204) 822-4467
Fax: (204) 822-6348
www.buhler.com