

bühler

farm king



7" & 8" x 16' Utility Augers

Operator's and Parts Manual
FK340

2005

TABLE OF CONTENTS

DESCRIPTION	PAGE
Warranty	1
Safety Decals	2
Assembly Instructions	3
7" & 8" Utility Auger Parts List	4
7" & 8" Utility Auger Drawing	6
Shipping Bundles	7

WARRANTY POLICY

Buhler Manufacturing products are warranted for a period of twelve (12) months (90 days for commercial application) from original date of purchase, by original purchaser, to be free from defects in material and workmanship under correct, normal agricultural use and proper applications.

Buhler Manufacturing's obligations under this warranty shall be limited to the repair or exchange, at Buhler Manufacturing's option, of any Buhler Manufacturing product or part which proves to be defective as provided. Buhler Manufacturing reserves the right to either inspect the product at the buyer's location or have it returned to the factory for inspection.

The above warranty does not extend to goods damaged or subject to accident, abuse or misuse after shipment from Buhler Manufacturing's factory, nor to goods altered or repaired by anyone other than an authorized Buhler Manufacturing representative.

Buhler Manufacturing makes no Express Warranties other than those, which are specifically described. Any description of goods, including any references and specifications in catalogues, circulars and other written material published, is for the sole purpose of identifying goods and shall conform to such descriptions. Any sample or model is for illustrative purposes only and does not create an Express Warranty that the goods conform to sample or model shown.

The purchaser is solely responsible for determining suitability of goods sold. This warranty is expressly in lieu of all other warranties expressed or implied. Buhler Manufacturing will in no event be liable for any incidental or consequential damages whatsoever. Nor for any sum in excess of the price received for the goods for which liability is claimed.

WARRANTY CLAIMS:

Warranty requests must be prepared on Buhler Manufacturing Warranty Claim Forms with all requested information properly completed. Warranty Claims must be submitted within a thirty (30) day period from date of failure repair.

WARRANTY LABOR:

Any labor subject to warranty **must** be authorized by Buhler Manufacturing. The labor rate for replacing defective parts, where applicable, will be credited at 100% of the dealer's posted shop rate. Defective parts will receive an extra 10% discount to assist with freight or other incidental costs.

GOVERNMENT LEGISLATION:

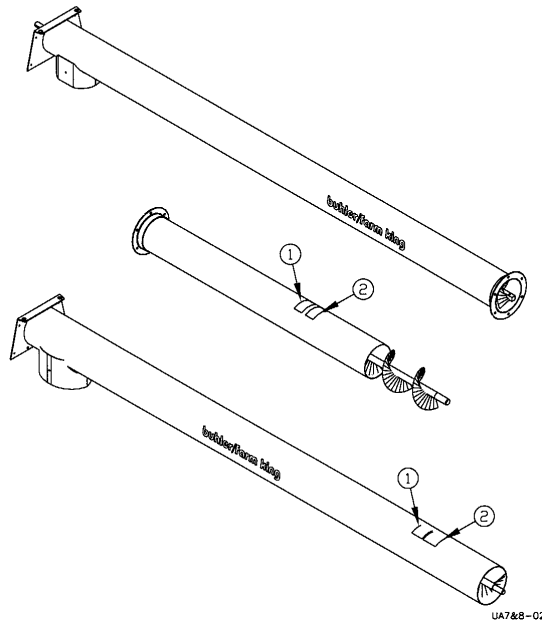
Warranty terms and conditions are subject to Provincial or State legislation.

IMPORTANT FACTS:


Buckets and Bucket Tines Carry No Warranty
Bent Spears Carry No Warranty
Snowblower Fan Shafts Carry No Warranty
Mower Blades Carry No Warranty
Portable Auger Parts Have Two (2) Year Warranty
Loader Parts Have Two (2) Year Warranty

IMPORTANT NOTE: This warranty does not apply to rentals

7" & 8" x 16' UTILITY AUGER



SAFETY DECALS

 CAUTION
<ol style="list-style-type: none">1. Keep all shields in place.2. Disengage all power when servicing or unplugging machine.3. Keep hands and clothing away from all moving parts.
963206

#1

 DANGER
KEEP HANDS AND FEET AWAY FROM INTAKE
961016

#2

7" & 8" UTILITY AUGER ASSEMBLY INSTRUCTIONS

1. Assemble the basic tube (#1) to the extension tube (#2) making sure the flighting is aligned and coupled with a 3/8" x 2" grade 8 hex bolt and lock nut. Line up both sections and bolt the pipe rings together using 3/8" x 1" hex bolts, lock washers and hex nuts.
2. Bolt the intake guard (#5) to the bottom using intake guard clamp (#6) with 3/8" x 1 3/4" hex bolts, lock washers and hex nuts. Assemble bottom bearing (#8) using bearing cap (#7) with 5/16" x 3/4" hex bolts, lock washers and hex nuts.
3. The threaded rods on the motor mount assembly (#13) are inserted through the two holes in the end plate at the top of the auger as shown in drawing. A 3/4" hex nut (#16) on each side locks the motor mount in place. The threaded rod welded to the top motor mount clamp (#14) is fitted through the hole in the back of the motor mount. This is also held in place with a 3/4" hex nut on each side. Bolt the bottom motor mount clamp (#15) to the top half using 3/8" x 2" hex bolts, lock washers and hex nuts.
4. Mount the 12" double pulley (#10) on the end of the flighting shaft using key (#11). When the motor with pulley and belt are assembled, tighten belt and lock in place by adjusting all three sets of 3/4" hex nuts.
5. Mount the belt guard (#12) onto the top end plate using 1/4" x 1" hex bolts and hex nuts. Before mounting guard to auger, put the 1/4" hex bolts through the holes in the guard with the heads to the inside of the guard. Tighten hex bolts with one 1/4" hex nut. The remaining 1/4" hex nuts are used to mount the guard to the end plate.

If an optional center extension is added, it is placed between the basic auger and bottom extension auger. The flightings are coupled and the pipe rings bolted together as described in step #1.

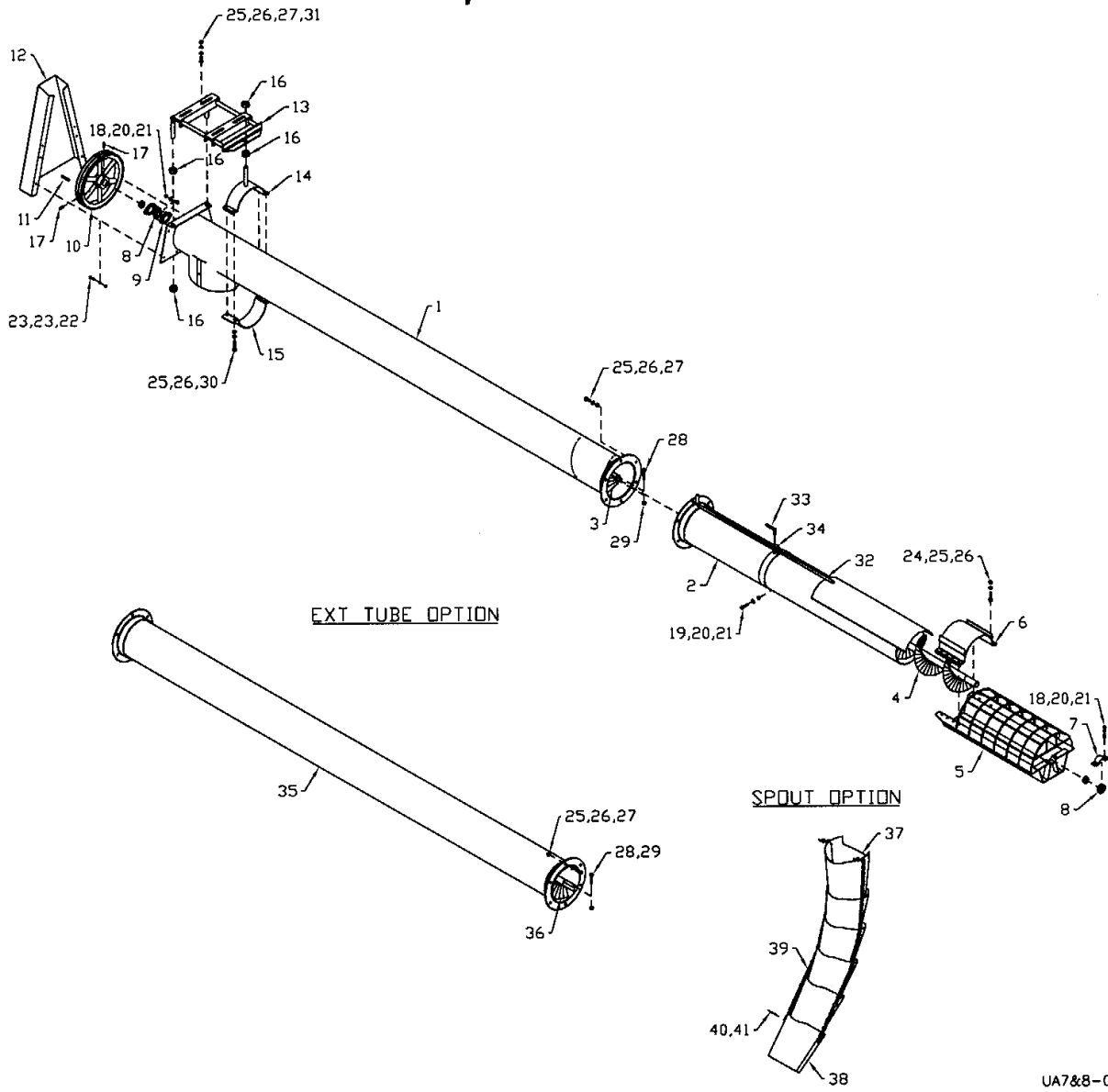
WHEN ORDERING PARTS

Always give your dealer the Model, Color and Serial Number of your machine to assist him in ordering and obtaining the correct parts. Use the exploded view and tabular listing of the area of interest to exactly identify the required part.

7" & 8" UTILITY AUGER

ITEM	PART #	DESCRIPTION
1	963701	Basic Tube, 7" x 10'
	963801	Basic Tube, 8" x 10'
2	963702	Extension Tube, 7" x 5'
	963802	Extension Tube, 8" x 5'
3	963703	Basic Flighting, 7" x 10'
	963803	Basic Flighting, 8" x 10'
4	963704	Extension Flighting, 7" x 5'
	963804	Extension Flighting, 8" x 5'
5	963705	Intake Guard - 7"
	963805	Intake Guard - 8"
6	961454	Intake Guard Clamp - 7"
	961455	Intake Guard Clamp - 8"
7	961913	Bearing Holder Cap
8	961627	1" Bearing C/W Collar
9	963009	1" Bearing Flange
10	961567	12" Double Pulley, 1" Bore
11	903027	1/4" x 2" Key
12	F1307	Belt Guard - 7" & 8"
13	963707	Motor Mount - 7" & 8"
14	963708	Top Motor Mount Clamp - 7"
	963808	Top Motor Mount Clamp - 8"
15	963709	Bottom Motor Mount Clamp - 7"
	963809	Bottom Motor Mount Clamp - 8"
16	81700	3/4" Hex Nut (pl)
17	81213	3/8" x 1" Sq. Hd. Set Screw (pl)
18	81549	5/16" x 3/4" Hex Bolt (pl)
19	81553	5/16" x 1 1/2" Hex Bolt (pl)
20	81569	5/16" Lock Washer (pl)
21	81568	5/16" Hex Nut (pl)
22	81527	1/4" x 1" Hex Bolt (pl)
23	81544	1/4" Hex Nut (pl)
24	81578	3/8" x 1 3/4" Hex Bolt (pl)
25	81593	3/8" Lock Washer (pl)
26	81592	3/8" Hex Nut (pl)

27	86170	3/8" x 1" Hex Bolt (pl)
28	9812483	3/8" x 2" Grade 8 Hex Bolt (pl)
29	812363	3/8" Lock Nut (pl)
30	811795	3/8" x 2" Hex Bolt (pl)
31	84000	3/8" Flat Washer (pl)
32	903062	Feed Control Weld't - 7"
	903066	Feed Control Weld't - 8"
33	963145	Locking Screw
34	903064	7" I.D. Clamp w/ Lock
	903065	8" I.D. Clamp w/ Lock
35	963710	7" x 5' Extension Tube
	963810	8" x 5' Extension Tube
	963711	7" x 10' Extension Tube
	963811	8" x 10' Extension Tube
36	963712	7" x 5' Extension Flighting
	963812	8" x 5' Extension Flighting
	963713	7" x 10' Extension Flighting
	963813	8" x 10' Extension Flighting
37	903058	Top Section - 7"
	903111	Top Section - 8"
38	903057	Bottom Section - 7"
	903112	Bottom Section - 8"
39	952050-000	42" Chain - 7"
	952050-000	55" Chain - 8"
40	967168	Pop Rivets AD56BS
41	981358	1/8" Flat Washers (pl)



UA7&8-01

7" & 8" UTILITY AUGERS – SHIPPING BUNDLES

QUANTITY REQUIRED	BUNDLE NUMBER	DESCRIPTION
7" x 16' UTILITY AUGER – BUNDLE NUMBER Y716		
1	F1301	7" x 10' Basic Utility Auger
1	F1302	7" x 6' Extension
1	F1305	Intake Guard
1	F1306	Carton of Parts
1	F1307	Belt Guard

OPTIONS:

F1303	7" x 5' Extension
F1304	7" x 10' Extension
F1412	7" Flow Control
F3002	Flex Spout (galvanized)

8" x 16' UTILITY AUGER – BUNDLE NUMBER Y816

1	F1307	Belt Guard
1	F1401	8" x 10' Basic Utility Auger
1	F1402	8" x 6' Extension
1	F1405	Intake Guard
1	F1406	Carton of Parts

OPTIONS:

F1403	8" x 5' Extension
F1404	8" x 10' Extension
F1413	8" Flow Control
F3003	Flex Spout (galvanized)

DIVISION LOCATIONS

Farm King Division
301 Mountain Street S.
Morden, MB R6M 1X7
Ph.: (204) 822-4467
Fax: (204) 822-6348

Allied Division
1201 Regent Ave. W.
Box 1003
Winnipeg, MB R2C 3B2
Ph.: (204) 661-8711
Fax: (204) 654-2503

Inland Division
675 Washington Ave.
Winnipeg, MB R2K 1M4
Ph: (204) 667-7854
Fax: (204) 669-2599

B.I.I. Division
1330 43rd Street N.W.
Fargo, ND 58102
Ph: (701) 282-7014
Fax: (701) 282-5865

CANADIAN WAREHOUSES

B.C., Abbotsford
(604) 864-2665

AB, Edmonton
(403) 962-6991

SK, Regina
(306) 781-2300

ON, Woodstock
(519) 539-0435

ON, Jasper
(613) 283-1758

QC, Dorion
(450) 455-4840

U.S. WAREHOUSES

AR, West Memphis
(870) 732-3132

GA, Stone Mountain
(770) 908-9439

IA, Lakeview
(712) 657-8585

ID, Meridian
(208) 887-6006

IN, Clarksville
(812) 284-3376

KS, Wichita
(316) 265-9577

MN, Lakeville
(952) 469-5267

MT, Billings
(406) 248-7771

ND, Bismarck
(701) 223-1886

ND, Fargo
(701) 282-7003

NY, Syracuse
(315) 463-5276

OH, Youngstown
(330) 793-0862

OR, Portland
(503) 234-0378

SD, Huron
(605) 352-8616

TX, Houston
(713) 928-2632

UT, Salt Lake City
(801) 972-4321

WI, Portage
(608) 742-1370

OFFSHORE WAREHOUSES

Burando Hill
Katanning
W. Australia
011-618-98-214422

Chihuahua, Mexico
011-52-158-90306

John Kerr Equipment Ltd.
Wilcoxholm Farm
Linlithgow, W. Lothian
Scotland
011-441-506-842280

Skovde, Sweden
011-46-500-452651

Naestved, Denmark
011-45-557-29511

bühler

Buhler Manufacturing *"a partnership"*

301 Mountain Street S.
Morden MB.
R6M 1X7
Ph.: (204) 822-4467
Fax: (204) 822-6348
www.buhler.com