

**TABLE OF CONTENTS**

<b>DESCRIPTION</b>	<b>PAGE</b>
Warranty .....	1
Safety Decals .....	2
Assembly Instructions .....	3
7" & 8" Utility Auger Parts List .....	4
7" & 8" Utility Auger Drawing .....	6
Shipping Bundles .....	7

## **WARRANTY REGISTRATION AND POLICY**

Buhler Manufacturing products are warranted for a period of twelve (12) months from original date of purchase, by original purchaser, to be free from defects in material and workmanship under correct, normal agricultural use and proper applications.

Buhler Manufacturing's obligations under this warranty shall be limited to the repair or exchange, at Buhler Manufacturing's option, of any Buhler Manufacturing product or part which proves to be defective as provided. Buhler Manufacturing reserves the right to either inspect the product at the buyer's location or have it returned to the factory for inspection.

The above warranty does not extend to goods damaged or subject to accident, abuse or misuse after shipment from Buhler Manufacturing's factory, nor to goods altered or repaired by anyone other than an authorized Buhler Manufacturing representative.

Buhler Manufacturing makes no Express Warranties other than those, which are specifically described. Any description of goods, including any references and specifications in catalogues, circulars and other written material published, is for the sole purpose of identifying goods and shall conform to such descriptions. Any sample or model is for illustrative purposes only and does not create an Express Warranty that the goods conform to sample or model shown.

The purchaser is solely responsible for determining suitability of goods sold. This warranty is expressly in lieu of all other warranties expressed or implied. Buhler Manufacturing will in no event be liable for any incidental or consequential damages whatsoever. Nor for any sum in excess of the price received for the goods for which liability is claimed.

### **WARRANTY CLAIMS:**

Warranty requests must be prepared on Buhler Manufacturing Warranty Claim Forms with all requested information properly completed. Warranty Claims must be submitted within a thirty (30) day period from date of failure repair.

### **WARRANTY LABOR:**

Any labor subject to warranty **must** be authorized by Buhler Manufacturing. The labor rate for replacing defective parts, where applicable, will be credited at a rate determined by the Company, Buhler Manufacturing.

### **IMPORTANT FACTS:**

**Buckets and Bucket Tines Carry No Warranty**

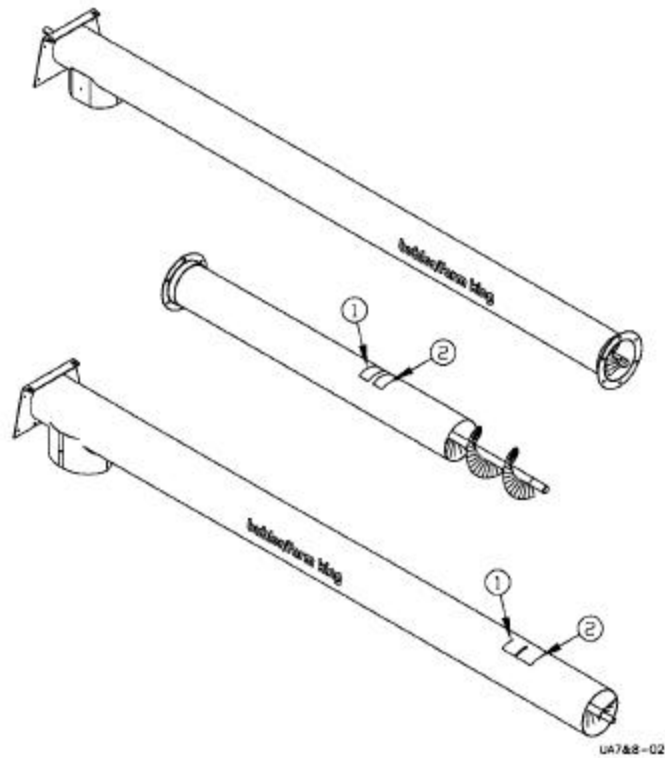
**Bent Spears Carry No Warranty**

**Snowblower Fan Shafts Carry No Warranty**

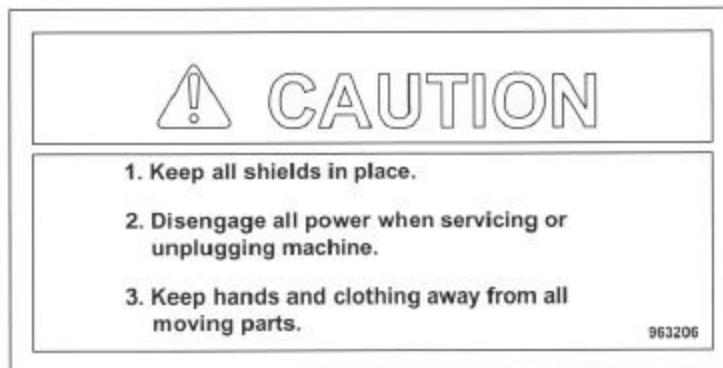
**Mower Blades Carry No Warranty**

**Portable Auger Parts Have Two (2) Year Warranty**

7" & 8" x 16' UTILITY AUGER



SAFETY DECALS



#1



#2

**7" & 8" UTILITY AUGER ASSEMBLY INSTRUCTIONS**

1. Assemble the basic tube (#1) to the extension tube (#2) making sure the flighting is aligned and coupled with a 3/8" x 2" grade 8 hex bolt and lock nut. Line up both sections and bolt the pipe rings together using 3/8" x 1" hex bolts, lock washers and hex nuts.
2. Bolt the intake guard (#5) to the bottom using intake guard clamp (#6) with 3/8" x 1 3/4" hex bolts, lock washers and hex nuts. Assemble bottom bearing (#8) using bearing cap (#7) with 5/16" x 3/4" hex bolts, lock washers and hex nuts.
3. The threaded rods on the motor mount assembly (#13) are inserted through the two holes in the end plate at the top of the auger as shown in drawing. A 3/4" hex nut (#16) on each side locks the motor mount in place. The threaded rod welded to the top motor mount clamp (#14) is fitted through the hole in the back of the motor mount. This is also held in place with a 3/4" hex nut on each side. Bolt the bottom motor mount clamp (#15) to the top half using 3/8" x 2" hex bolts, lock washers and hex nuts.
4. Mount the 12" double pulley (#10) on the end of the flighting shaft using key (#11). When the motor with pulley and belt are assembled, tighten belt and lock in place by adjusting all three sets of 3/4" hex nuts.
5. Mount the belt guard (#12) onto the top end plate using 1/4" x 1" hex bolts and hex nuts. Before mounting guard to auger, put the 1/4" hex bolts through the holes in the guard with the heads to the inside of the guard. Tighten hex bolts with one 1/4" hex nut. The remaining 1/4" hex nuts are used to mount the guard to the end plate.

If an optional center extension is added, it is placed between the basic auger and bottom extension auger. The flightings are coupled and the pipe rings bolted together as described in step #1.

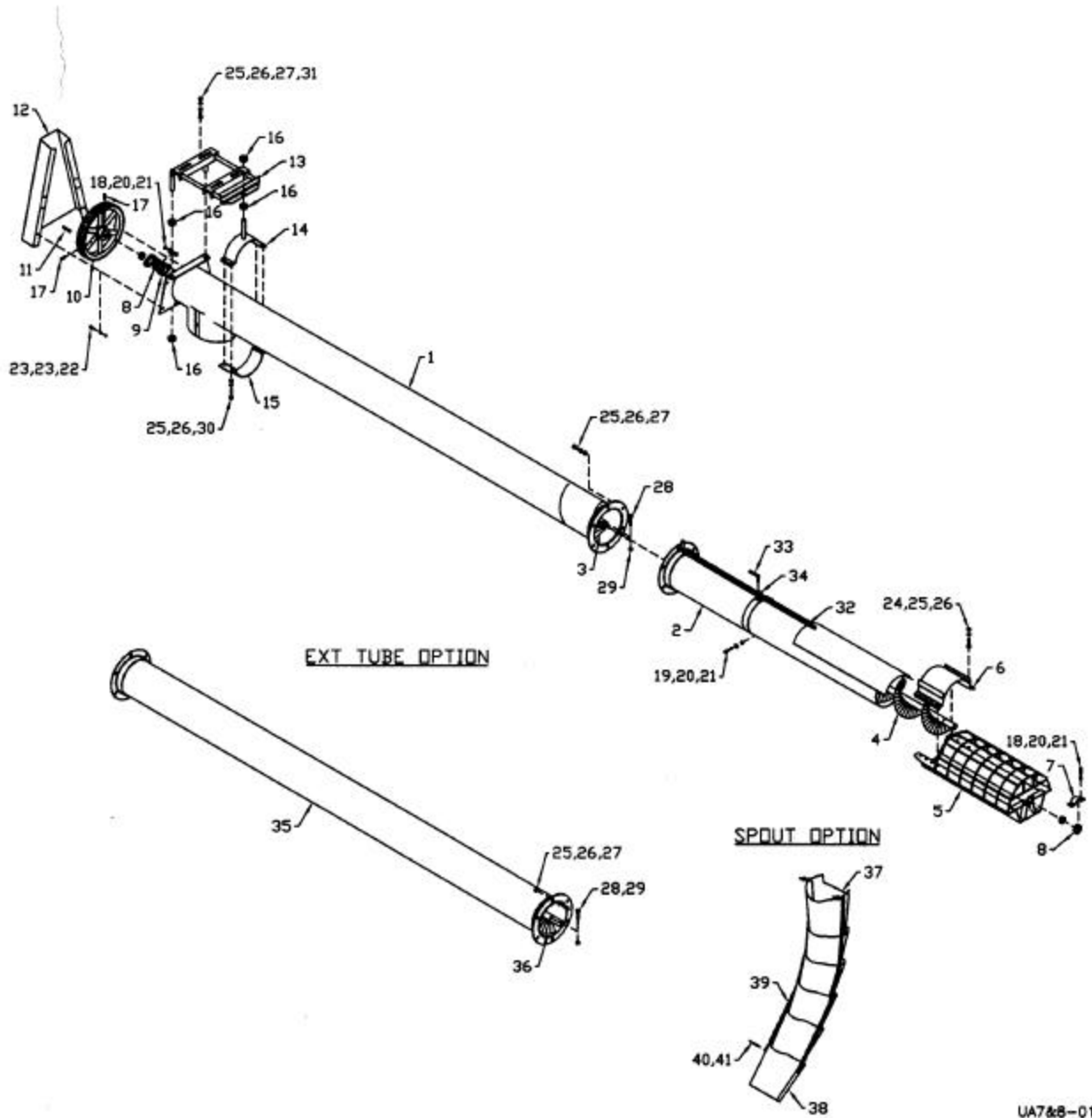
**WHEN ORDERING PARTS**

Always give your dealer the Model, Color and Serial Number of your machine to assist him in ordering and obtaining the correct parts. Use the exploded view and tabular listing of the area of interest to exactly identify the required part.

**7" & 8" UTILITY AUGER**

<b>ITEM</b>	<b>PART #</b>	<b>DESCRIPTION</b>
1	963701	Basic Tube, 7" x 10'
	963801	Basic Tube, 8" x 10'
2	963702	Extension Tube, 7" x 5'
	963802	Extension Tube, 8" x 5'
3	963703	Basic Flighting, 7" x 10'
	963803	Basic Flighting, 8" x 10'
4	963704	Extension Flighting, 7" x 5'
	963804	Extension Flighting, 8" x 5'
5	963705	Intake Guard - 7"
	963805	Intake Guard - 8"
6	961454	Intake Guard Clamp - 7"
	961455	Intake Guard Clamp - 8"
7	961913	Bearing Holder Cap
8	961627	1" Bearing C/W Collar
9	963009	1" Bearing Flange
10	961567	12" Double Pulley, 1" Bore
11	903027	1/4" x 2" Key
12	F1307	Belt Guard - 7" & 8"
13	963707	Motor Mount - 7" & 8"
14	963708	Top Motor Mount Clamp - 7"
	963808	Top Motor Mount Clamp - 8"
15	963709	Bottom Motor Mount Clamp - 7"
	963809	Bottom Motor Mount Clamp - 8"
16	81700	3/4" Hex Nut (pl)
17	81213	3/8" x 1" Sq. Hd. Set Screw (pl)
18	81549	5/16" x 3/4" Hex Bolt (pl)
19	81553	5/16" x 1 1/2" Hex Bolt (pl)
20	81569	5/16" Lock Washer (pl)
21	81568	5/16" Hex Nut (pl)
22	81527	1/4" x 1" Hex Bolt (pl)
23	81544	1/4" Hex Nut (pl)
24	81578	3/8" x 1 3/4" Hex Bolt (pl)
25	81593	3/8" Lock Washer (pl)
26	81592	3/8" Hex Nut (pl)

27	86170	3/8" x 1" Hex Bolt (pl)
28	9812483	3/8" x 2" Grade 8 Hex Bolt (pl)
29	812363	3/8" Lock Nut (pl)
30	811795	3/8" x 2" Hex Bolt (pl)
31	84000	3/8" Flat Washer (pl)
32	903062	Feed Control Weld't - 7"
	903066	Feed Control Weld't - 8"
33	963145	Locking Screw
34	903064	7" I.D. Clamp w/ Lock
	903065	8" I.D. Clamp w/ Lock
35	963710	7" x 5' Extension Tube
	963810	8" x 5' Extension Tube
	963711	7" x 10' Extension Tube
	963811	8" x 10' Extension Tube
36	963712	7" x 5' Extension Flighting
	963812	8" x 5' Extension Flighting
	963713	7" x 10' Extension Flighting
	963813	8" x 10' Extension Flighting
37	903058	Top Section - 7"
	903111	Top Section - 8"
38	903057	Bottom Section - 7"
	903112	Bottom Section - 8"
39	952050-000	42" Chain - 7"
	952050-000	55" Chain - 8"
40	967113	Pop Rivets AD56BS
41	981358	1/8" Flat Washers (pl)



UA7&8-01

**7" & 8" UTILITY AUGERS – SHIPPING BUNDLES**

<b>QUANTITY REQUIRED</b>	<b>BUNDLE NUMBER</b>	<b>DESCRIPTION</b>
------------------------------	----------------------	--------------------

**7" x 16' UTILITY AUGER – BUNDLE NUMBER Y716**

1	F1301	7" x 10' Basic Utility Auger
1	F1302	7" x 6' Extension
1	F1305	Intake Guard
1	F1306	Carton of Parts
1	F1307	Belt Guard

**OPTIONS:**

F1303	7" x 5' Extension
F1304	7" x 10' Extension
F1412	7" Flow Control
F3002	Flex Spout (galvanized)

**8" x 16' UTILITY AUGER – BUNDLE NUMBER Y816**

1	F1307	Belt Guard
1	F1401	8" x 10' Basic Utility Auger
1	F1402	8" x 6' Extension
1	F1405	Intake Guard
1	F1406	Carton of Parts

**OPTIONS:**

F1403	8" x 5' Extension
F1404	8" x 10' Extension
F1413	8" Flow Control
F3003	Flex Spout (galvanized)