

**TABLE OF CONTENTS**

<b>DESCRIPTION</b>	<b>PAGE</b>
Warranty .....	1
Safety Decals .....	2
Assembly Instructions .....	3
7" & 8" Utility Auger Parts List .....	4
7" & 8" Utility Auger Drawing .....	5
Shipping Bundles .....	6

## **WARRANTY REGISTRATION AND POLICY**

Buhler Manufacturing products are warranted for a period of twelve (12) months from original date of purchase, by original purchaser, to be free from defects in material and workmanship under correct, normal agricultural use and proper applications.

Buhler Manufacturing's obligations under this warranty shall be limited to the repair or exchange, at Buhler Manufacturing's option, of any Buhler Manufacturing product or part which proves to be defective as provided. Buhler Manufacturing reserves the right to either inspect the product at the buyer's location or have it returned to the factory for inspection.

The above warranty does not extend to goods damaged or subject to accident, abuse or misuse after shipment from Buhler Manufacturing's factory, nor to goods altered or repaired by anyone other than an authorized Buhler Manufacturing representative.

Buhler Manufacturing makes no Express Warranties other than those, which are specifically described. Any description of goods, including any references and specifications in catalogues, circulars and other written material published, is for the sole purpose of identifying goods and shall conform to such descriptions. Any sample or model is for illustrative purposes only and does not create an Express Warranty that the goods conform to sample or model shown.

The purchaser is solely responsible for determining suitability of goods sold. This warranty is expressly in lieu of all other warranties expressed or implied. Buhler Manufacturing will in no event be liable for any incidental or consequential damages whatsoever. Nor for any sum in excess of the price received for the goods for which liability is claimed.

### **WARRANTY CLAIMS:**

Warranty requests must be prepared on Buhler Manufacturing Warranty Claim Forms with all requested information properly completed. Warranty Claims must be submitted within a thirty (30) day period from date of failure repair.

### **WARRANTY LABOR:**

Any labor subject to warranty **must** be authorized by Buhler Manufacturing. The labor rate for replacing defective parts, where applicable, will be credited at a rate determined by the Company, Buhler Manufacturing.

### **IMPORTANT FACTS:**

**Buckets and Bucket Tines Carry No Warranty**

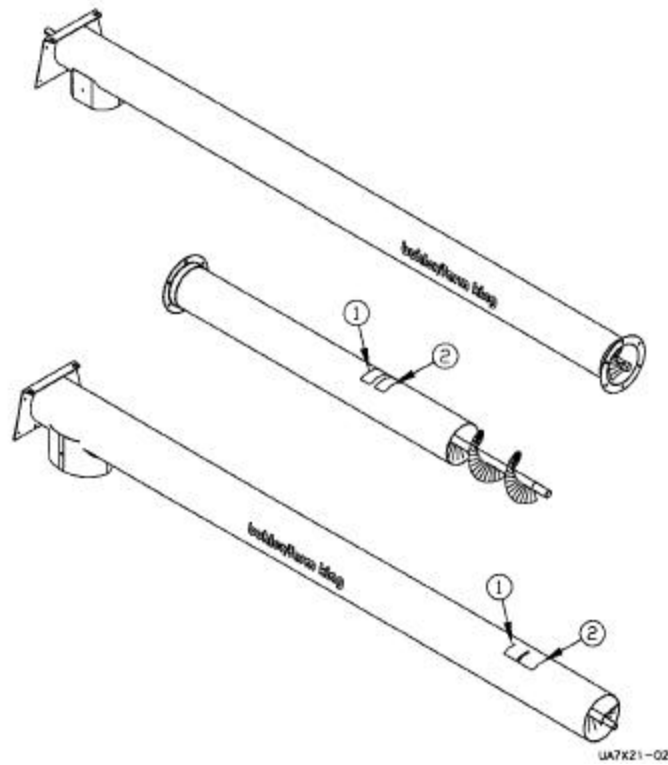
**Bent Spears Carry No Warranty**

**Snowblower Fan Shafts Carry No Warranty**

**Mower Blades Carry No Warranty**

**Portable Auger Parts Have Two (2) Year Warranty**

7" & 8" UTILITY AUGER



SAFETY DECALS



#1



#2

**7" x 21' and 8" x 11' & 23' UTILITY AUGER ASSEMBLY INSTRUCTIONS**

Bolt the intake guard (#3) to the bottom using an intake guard clamp (#4) with 3/8" x 1 3/4" hex bolts, lock washers and hex nuts. Assemble bottom bearing (#6), using bearing cap (#5) with 5/16" x 3/4" hex bolts, lock washers and hex nuts.

The threaded rods on the motor mount assembly (#11) are inserted through the two holes in the end plate at the top of the auger as shown in drawing. A 3/4" hex nut (#14) on each side locks the motor mount in place. The threaded rod welded to the top motor mount clamp (#12) is fitted through the hole in the back of the motor mount. This is also held in place with a 3/4" hex nut on each side. Bolt the bottom motor mount clamp (#13) to the top half using 3/8" x 2" hex bolts, lock washers and hex nuts.

Mount the 12" double pulley (#8) on the end of the fighting shaft using key (#9). When the motor with pulley and belt are assembled, tighten belt and lock in place by adjusting all three sets of 3/4" hex nuts.

Mount the belt guard (#10) onto the top end plate using 1/4" x 1" hex bolts and hex nuts. Before mounting guard to auger, put the 1/4" hex bolts through the holes in the guard with the heads to the inside of the guard. Tighten hex bolts with one 1/4" hex nut. The remaining 1/4" hex nuts are used to mount the guard to the end plate.

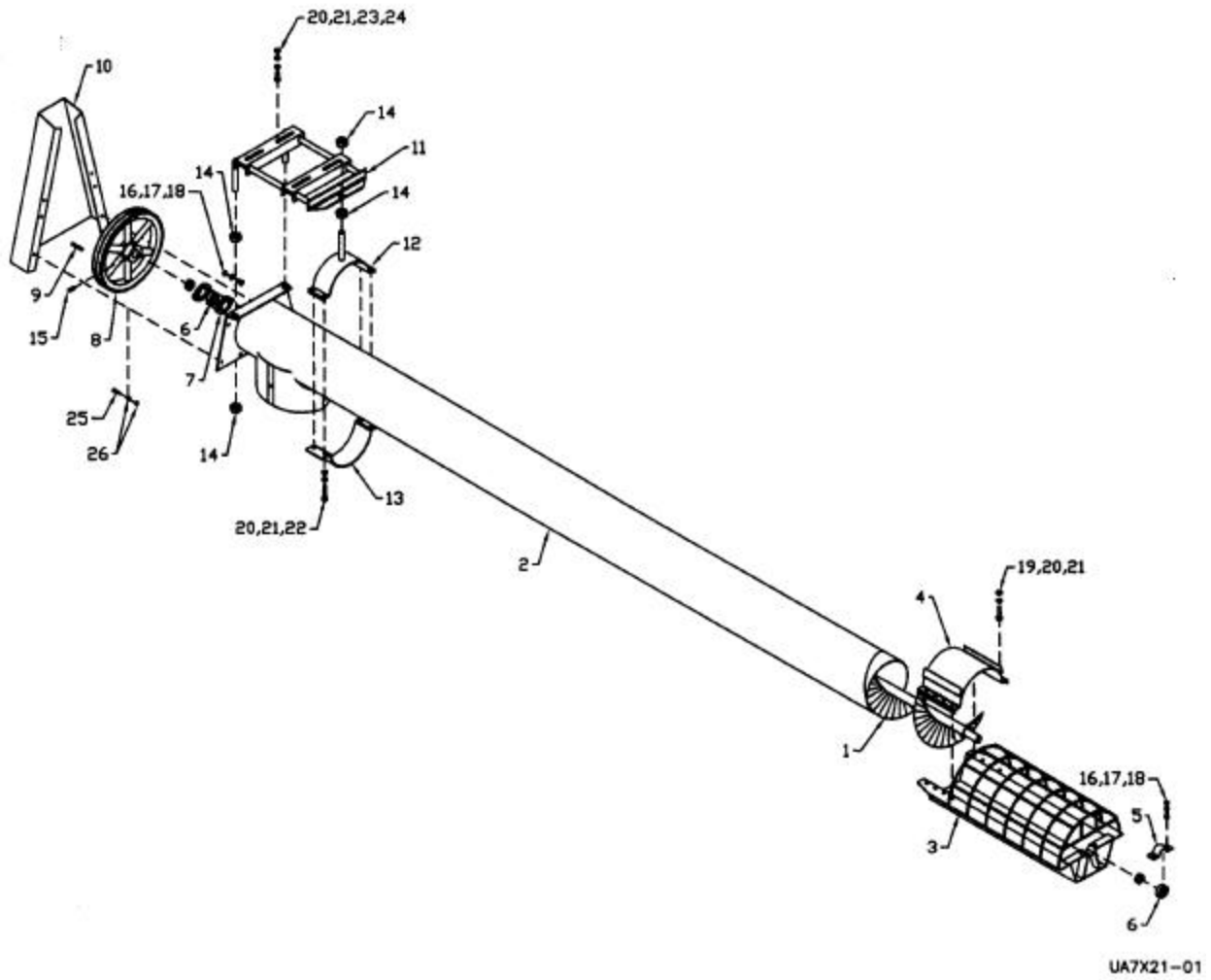
**WHEN ORDERING PARTS**

Always give your dealer the Model, Color and Serial Number of your machine to assist him in ordering and obtaining the correct parts. Use the exploded view and tabular listing of the area of interest to exactly identify the required part.

**7" x 21' & 8" x 11' & 23' UTILITY AUGERS**

<b>ITEM</b>	<b>PART #</b>	<b>DESCRIPTION</b>
1	963714	7" x 21' Flighting
	973261	8" x 11' Flighting
	963814	8" x 23' Flighting
2	963715	7" x 21' Tube Weld't
	973290	8" x 11' Tube Weld't
	963815	8" x 23' Tube Weld't
3	963705	Intake Guard - 7"
	963805	Intake Guard - 8"
4	961454	Intake Guard Clamp - 7"
	961455	Intake Guard Clamp - 8"
5	961913	Bearing Holder Cap
6	961627	1" Bearing c/w Collar
7	963009	Bearing Retainer (Set)
8	961567	12" Double Pulley, 1" Bore
9	903027	1/4" x 2" Key
10	F1307	Belt Guard - 7" & 8"
11	963707	Motor Mount - 7" & 8"
12	963708	Top Motor Mount Clamp - 7"
	963808	Top Motor Mount Clamp - 8"
13	963709	Bottom Motor Mount Clamp - 7"
	963809	Bottom Motor Mount Clamp - 8"
14	81700	3/4" Hex Nut (pl)
15	81213	3/8" x 1" Sq. Hd. Set Screw (pl)
16	81549	5/16" x 3/4" Hex Bolt (pl)
17	81569	5/16" Lock Washer (pl)
18	81568	5/16" Hex Nut (pl)
19	81578	3/8" x 1 3/4" Hex Bolt (pl)
20	81593	3/8" Lock Washer (pl)
21	81592	3/8" Hex Nut (pl)
22	811795	3/8" x 2" Hex Bolt (pl)
23	86170	3/8" x 1" Hex Bolt (pl)
24	84000	3/8" Flat Washer (pl)
25	81527	1/4" x 1" Hex Bolt (pl)
26	81544	1/4" Hex Nut (pl)

7" x 21' and 8" x 11' & 23' UTILITY AUGER



UA7X21-01

**7" & 8" UTILITY AUGERS – SHIPPING BUNDLES**

<b>QUANTITY REQUIRED</b>	<b>BUNDLE NUMBER</b>	<b>DESCRIPTION</b>
<b>7" x 21' UTILITY AUGER – BUNDLE NUMBER Y721</b>		
1	F1305	Intake Guard
1	F1307	Belt Guard
1	F1310	Carton of Parts
1	F1311	7" x 21' Utility Auger

**OPTIONS:**

F1303	7" x 5' Extension
F1304	7" x 10' Extension
F1412	7" Flow Control
F3002	Flex Spout (galvanized)

**8" x 11' UTILITY AUGER – BUNDLE NUMBER Y811**

1	F1307	Belt Guard
1	F1405	Intake Guard
1	F1410	Carton of Parts
1	F1419	8" x 11' Utility Auger

**8" x 23' UTILITY AUGER – BUNDLE NUMBER Y823**

1	F1307	Belt Guard
1	F1405	Intake Guard
1	F1410	Carton of Parts
1	F1411	8" x 21' Utility Auger

**OPTIONS:**

F1403	8" x 5' Extension
F1404	8" x 10' Extension
F1413	8" Flow Control
F3003	Flex Spout (galvanized)