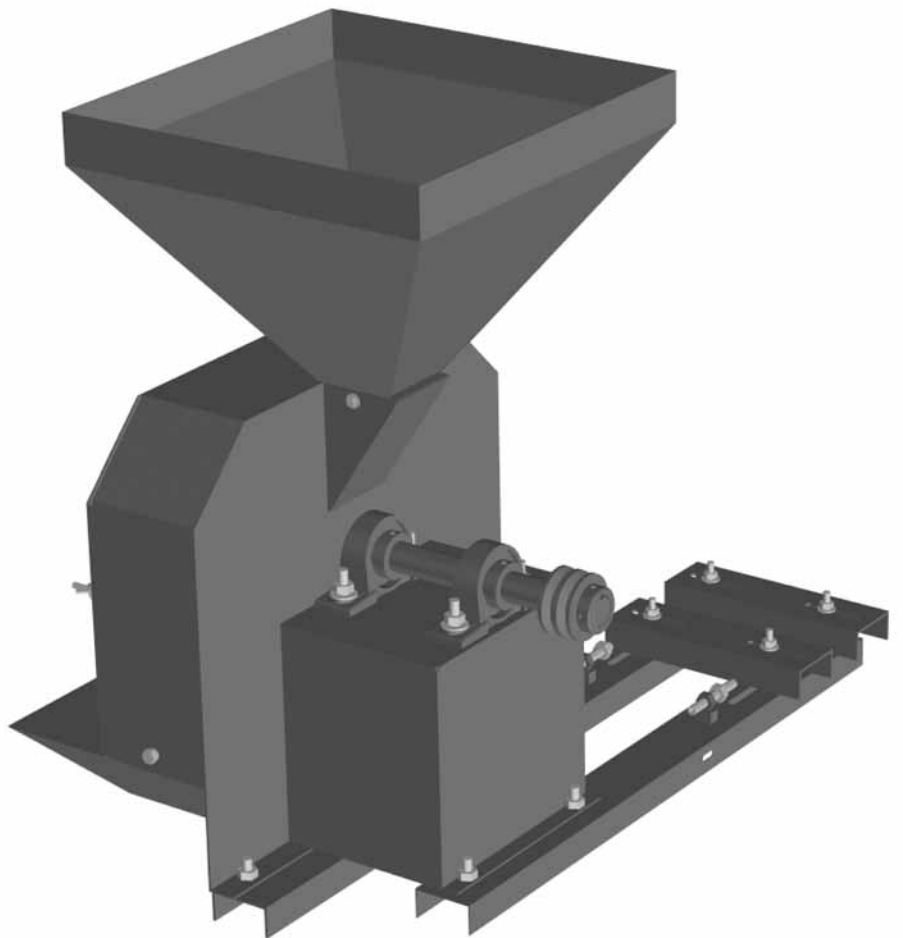


# Farm King

## OPERATOR AND PARTS MANUAL

### Hammermill





## Table of Contents

|  |           |
|--|-----------|
| <b>Introduction</b> .....                    | <b>4</b>  |
| <b>Safety</b> .....                          | <b>5</b>  |
| • Safety .....                               | 5         |
| <b>Assembly</b> .....                        | <b>6</b>  |
| • Assembly Instructions .....                | 6         |
| <b>Operation</b> .....                       | <b>7</b>  |
| • Operation Instructions.....                | 7         |
| <b>Maintenance</b> .....                     | <b>8</b>  |
| • Maintenance.....                           | 8         |
| • Lubrication.....                           | 8         |
| • Vibration .....                            | 8         |
| <b>Bolt Torque</b> .....                     | <b>9</b>  |
| • Checking Bolt Torque .....                 | 9         |
| <b>Parts Drawings</b> .....                  | <b>10</b> |
| • Hammermill Assembly Drawing.....           | 10        |
| • Hammermill Parts List .....                | 11        |
| <b>Shipping Kit and Bundle Numbers</b> ..... | <b>13</b> |
| <b>Warranty</b> .....                        | <b>14</b> |

**Manufacturer’s statement:** for technical reasons Buhler Industries Inc. reserves the right to modify machinery design and specifications provided herein without any preliminary notice. Information provided herein is of descriptive nature. Performance quality may depend on soil fertility, applied agricultural techniques, weather conditions and other factors.

## Introduction

---

Farm King hammermills are designed to maximize the nutritional value of feed. Built with durable, heavy-gauge materials, Farm King hammermills deliver top-quality processed grain with minimum maintenance and low operating costs.

Keep this manual handy for frequent reference. All new operators or owners must review the manual before using the equipment and at least annually thereafter. Contact your Farm King Dealer if you need assistance, information, or additional copies of the manual. Visit our website at [www.buhlerindustries.com](http://www.buhlerindustries.com) for a complete list of dealers in your area.

The directions left, right, front and rear, as mentioned throughout this manual, are as seen facing in the direction of travel of the implement.

## Safety

---

### Safety Instructions

Remember, YOU are the key to safety. Good safety practices not only protect you, but also the people around you. Make these practices a working part of your safety program. Be certain that everyone operating this equipment is familiar with the recommended operating and maintenance procedures and follows all the safety precautions. Most accidents can be prevented. Do not risk injury or death by ignoring good safety practices.

The alert symbol is used throughout this manual. It indicates attention is required and identifies hazards. Follow the recommended precautions.



The safety alert symbol means...  
**ATTENTION! BECOME ALERT! YOUR SAFETY IS INVOLVED!**



#### CAUTION

The caution symbol indicates a potentially hazardous situation that, if not avoided, may result in minor or moderate injury. It may also be used to alert against unsafe practices.



#### WARNING

The Warning Symbol indicates a potentially hazardous situation that, if not avoided, could result in death or serious injury, and includes hazards that are exposed when guards are removed. It may also be used to alert against unsafe practices.



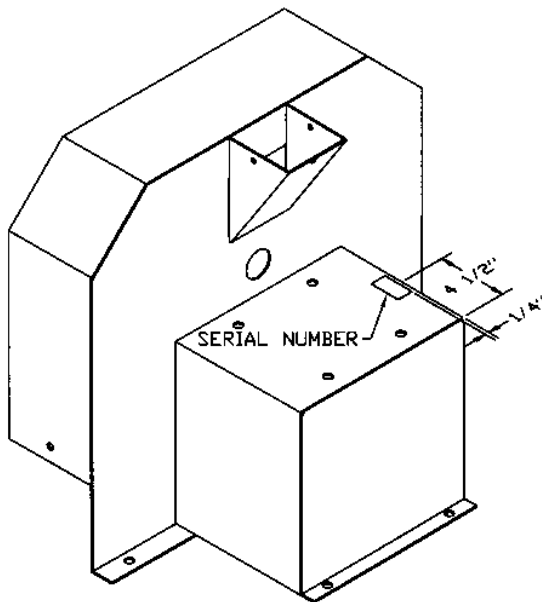
#### DANGER

The Danger Symbol indicates an imminently hazardous situation that, if not avoided will result in death or serious injury. This signal word is to be limited to the most extreme situations, typically for machine components that, for functional purposes, cannot be guarded.

## Assembly Instructions

---

- Mount the motor on the motor mount and install the belts provided. Belts must be tight.
- Hammermill can be driven in either direction.
- Mount the pulleys and belts before attaching the guard. Slide the guard over the pulleys and belt. The top swivel end of the guard bolts on using one of the pillow bearing bolts as shown on drawing. A 5/16" x 1-1/4" bracket connects the guard to the hole in the side of the motor mount. Be sure the back plate is in place before using the hammermill.
- The screen fits into the ring with the clip (where screen is joined) on top. After the screen is in place, turn screen so it is locked into position and then install the front cover.



HM-02

## Operation Instructions

---

- The Model 60 Hammermill is a six-inch hammermill and is designed to run at the speed of 3600 rpm.
- The power requirement for the mill is either a 3 hp or 5 hp electric motor, 3450 rpm. A 3-1/2" pulley is required for the motor shaft. It is wise to install an ammeter gauge on the motor to prevent overloading the motor. A 12 hp stationary engine can also be used to run the hammermill.

### Screens

- Screens are available in the following sizes: 3/32", 1/8", 5/32", 3/16", 1/4", 5/16", 3/8" and 1/2" mesh.
- Use a 3/32" screen when very fine feed is needed as for small pigs. For average feeder pigs, a 1/8" screen can be used. Cattle feed can be hammered with a 1/4" or 5/16" screen. A 1/2" screen is available for coarse grinding.

## Maintenance

---

### Maintenance

- The hammers are 4-way reversible and made of high carbon steel to provide longlasting wear.
- When reversing hammers, reverse the complete set or the rotation balance of the cylinder will be affected.

### Lubrication

- Providing grease does not escape from bearings, they should be greased every 40 working hours. Only small amounts of grease to be used with each greasing. Over greasing will cause the oil seals to break thus allowing grease to escape and dust to enter. Over greasing will also cause the bearing to heat.



#### ALERT

Some bearings might be sealed bearings, therefore, no lubrication will be required.

### Vibration

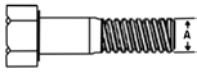



- If the hammers are locked with each other they cause vibration. If machine vibrates, check if all hammers are running freely. Broken hammers should always be replaced, as this affects the rotating balance of the cylinder.



## Bolt Torque

### Checking Bolt Torque

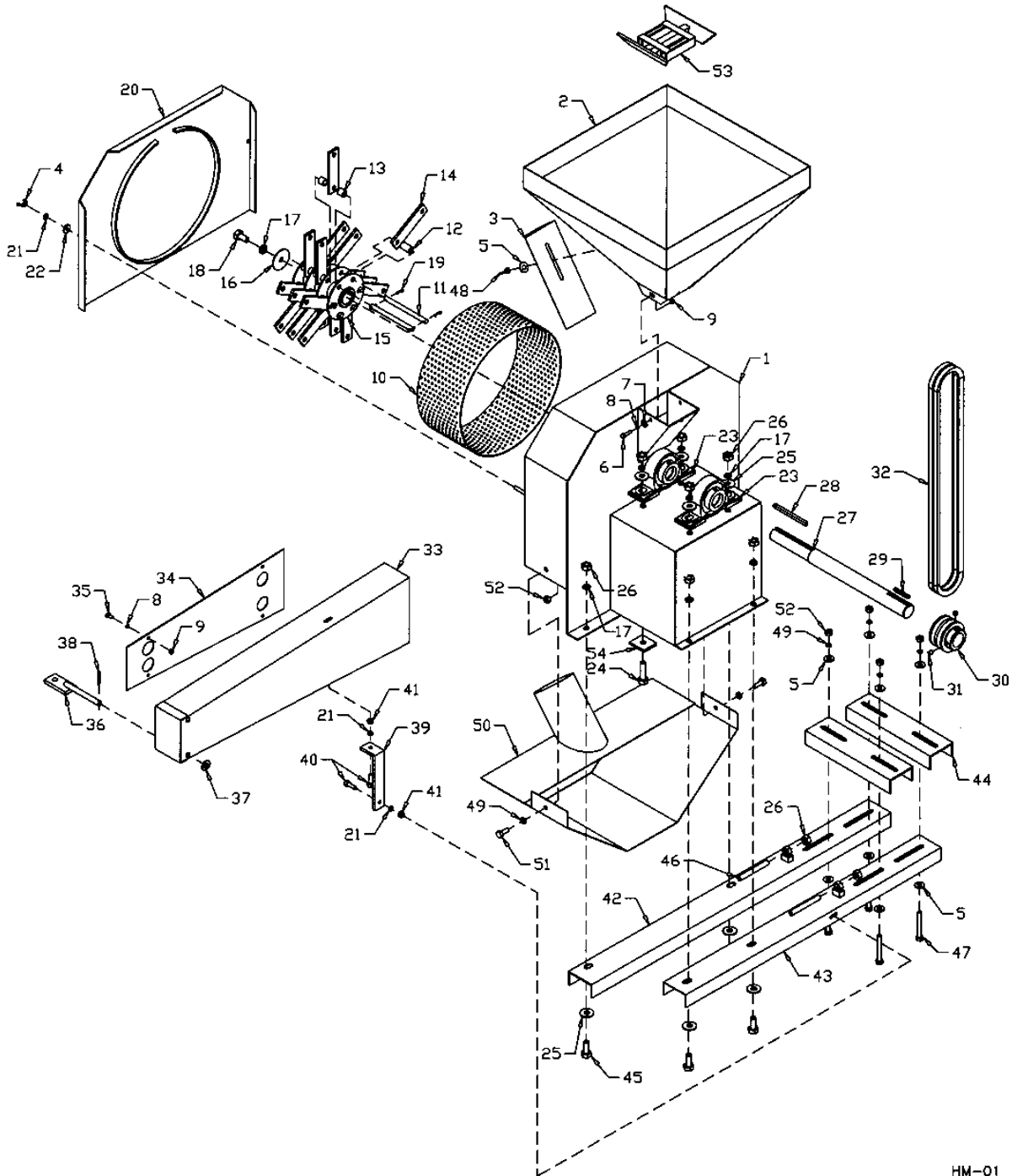
The tables shown below give correct torque values for various bolts and hex bolts. Tighten all bolts to the torques specified in chart unless otherwise noted. Check tightness of bolts periodically, using bolt torque chart as a guide. Replace hardware with the same strength bolt.

| Bolt Torque*  |   |       |  |       |   |       |
|---|---|-------|--|-------|---|-------|
|  |  |       |  |       |  |       |
| Bolt Diameter   | Grade 2 Bolts   |       | Grade 5 Bolts  |       | Grade 8 Bolts   |       |
| (inches)  | SAE 2   |       | SAE 5  |       | SAE 8   |       |
| "A"   | (lb-ft)   | (N.m) | (lb-ft)  | (N.m) | (lb-ft)   | (N.m) |
| 0.25 (1/4)  | 6   | 8     | 9  | 12    | 12  | 17    |
| 0.313 (5/16)  | 10  | 13    | 19   | 25    | 27  | 36    |
| 0.375 (3/8)   | 20  | 27    | 33   | 45    | 45  | 63    |
| 0.438 (7/16)  | 30  | 42    | 53   | 72    | 75  | 100   |
| 0.5 (1/2)   | 45  | 61    | 80   | 110   | 115   | 155   |
| 0.563 (9/16)  | 70  | 95    | 115  | 155   | 165   | 220   |
| 0.625 (5/8)   | 95  | 128   | 160  | 215   | 220   | 305   |
| .75 (3/4)   | 165   | 225   | 290  | 390   | 400   | 540   |
| 0.875 (7/8)   | 170   | 230   | 420  | 570   | 650   | 880   |
| 1   | 225   | 345   | 630  | 850   | 970   | 1320  |

Torque figures indicated above are valid for non-greased or non-oiled threads and heads unless otherwise specified. Therefore, do not grease or oil bolts or hex bolts unless otherwise specified in this manual. When using locking elements, increase torque values by 5%.

\*Torque value for bolts and hex bolts are identified by their head markings.

Hammermill Assembly Drawings



HM-01

## When Ordering Parts

Always give your dealer the Model, Color and Serial Number of your machine to assist him in ordering and obtaining the correct parts. Use the exploded view and tabular listing of the area of interest to exactly identify the required part.

| Item | Part Number | Description                         |
|------|-------------|-------------------------------------|
| 1    | 968612      | Body                                |
| 2    | 968615      | Hopper                              |
| 3    | 968614      | Grain Flow Control Gate             |
| 4    | 968601      | 5/16" Wing Nut (pl)                 |
| 5    | 84000       | 3/8" Flat Washer (pl)               |
| 6    | 81527       | 1/4" x 1" Hex Bolt (pl)             |
| 7    | 81546       | 1/4" Flat Washer (pl)               |
| 8    | 81545       | 1/4" Lock Washer (pl)               |
| 9    | 81544       | 1/4" Hex Nut (pl)                   |
| 10   | F5110       | 6" x 3/32" Screen                   |
|      | F5111       | 6" x 1/8" Screen                    |
|      | F5112       | 6" x 5/32" Screen                   |
|      | F5113       | 6" x 3/16" Screen                   |
|      | F5114       | 6" x 1/4" Screen                    |
|      | F5115       | 6" x 5/16" Screen                   |
|      | F5116       | 6" x 3/8" Screen                    |
|      | F5117       | 6" x 1/2" Screen                    |
| 11   | 968609      | 7/16" x 5 3/4" Hammer Shaft         |
| 12   | 968606      | 1-3/16" Long Spacers                |
| 13   | 968607      | 5/8" Short Spacers                  |
| 14   | 968626      | 1/4" x 1-1/4" x 5" Hammer Sets      |
| 15   | 968625      | Rotor Complete w/ Hammers           |
|      | 968605      | Rotor Less Hammers                  |
| 16   | 968604      | 2-1/4" O.D. Flat Washer (1/2" I.D.) |
| 17   | 81637       | 1/2" Lock Washer (pl)               |
| 18   | 81619       | 1/2" x 1" Hex Bolt (pl)             |
| 19   | 9812431     | 3/16" x 3/4" Cotter Pin             |
| 20   | 968602      | Cover                               |
| 21   | 81569       | 5/16" Lock Washer (pl)              |
| 22   | 81570       | 5/16" Flat Washer (pl)              |
| 23   | 968616      | 1-1/2" Pillow Bearing P208-108      |
|      | 968627      | 1-1/2" Bearing Only AEL208-108      |
| 24   | 811791      | 1/2" x 2" Hex Bolt (pl)             |
| 25   | 81638       | 1/2" Flat Washer (pl)               |
| 26   | 81636       | 1/2" Hex Nut (pl)                   |
| 27   | 968621      | Main Shaft 1-1/2" x 19"             |

| Item | Part Number | Description  |
|------|-------------|--|
| 28   | 968618      | 5/16" x 4 1/2" Key                                   |
| 29   | 968811      | 1-1/4" x 2" Key                                      |
| 30   | 968620      | 3 1/4" O.D. x 1-1/2" Bore Double Pulley              |
| 31   | 812490      | 3/8" x 3/8" Socket Set Screw                         |
| 32   | 968624      | B-57 Belts (Set of Two)                              |
| 33   | 968659      | Guard Weldment                                       |
| 34   | 968657      | Guard Back Plate                                     |
| 35   | 81523       | 1/4" x 1/2" Hex Bolt (pl)                            |
| 36   | 968647      | Guard Swivel   |
| 37   | 84048       | 1/2" Flat Washer SAE (pl)                            |
| 38   | 9812433     | 3/16" x 1-1/2" Cotter Pin (pl)                       |
| 39   | 968658      | Guard Mounting Bracket                               |
| 40   | 812026      | 5/16" x 1" Hex Bolt (pl)                             |
| 41   | 81568       | 5/16" Hex Nut (pl)                                   |
| 42   | 968610      | 42" Long Motor Mount                                 |
| 43   | 968623      | 36" Short Motor Mount                                |
| 44   | 968622      | 12" Motor Mount Brackets                             |
| 45   | 81620       | 1/2" x 1-1/4" Hex Bolt (pl)                          |
| 46   | 9812380     | 1/2" x 4" SQ. HD. Set Screw (pl)                     |
| 47   | 81583       | 3/8" x 3" Hex Bolt (pl)                              |
| 48   | 84217       | 3/8" Wing Nut (pl)                                   |
| 49   | 81593       | 3/8" Lock Washer (pl)                                |
| 50   | F5120       | Discharge Hopper (Optional) c/w Hardware             |
| 51   | 86170       | 3/8" x 1" Hex Bolt (pl)                              |
| 52   | 81592       | 3/8" Hex Nut (pl)                                    |
| 53   | F5121       | Magnet (Optional)                                    |
| 54   | 904576      | Housing Support 1/4" x 1-3/4" x 2"                   |
| 55   |             | 5 HP Electric Motor 3450 RPM (Supp. by Cust.)        |
| 56   |             | 3-1/2" Double Pulley/Electric Motor (Supp. by Cust.) |

## Shipping Kit and Bundle Numbers

---

The following is a list of Kit Numbers for this product and the Bundle Numbers, Descriptions, and Quantities for each Kit.

| Quantity | Bundle Number | Description |
|----------|---------------|-------------|
| 1        | F5100         | Hammermill  |
| 1        | F5101         | Hopper      |
| 1        | F5103         | Belt Guard  |

### Optional Bundle Numbers

The following is a list of options available for the Kits listed above.

| Quantity | Bundle Number | Description      |
|----------|---------------|------------------|
| 1        | F5121         | Magnet           |
| 1        | F5120         | Discharge Hopper |

## Farm King Limited Warranty

This document limits your warranty rights.

### **Base Limited Warranty**

Buhler Industries Inc. provides this warranty only to original retail purchasers of its product. Buhler Industries Inc. warrants to such purchasers that all Buhler Industries Inc. manufactured parts and components used and serviced as provided for in the Operator's Manual shall be free from defects in materials and workmanship for a period following delivery to the original retail purchaser of 12 months (80 days for commercial applications). This limited warranty applies only to those parts and components manufactured by Buhler Industries Inc. Parts and components manufactured by others are subject to their manufacturer's warranties, if any.

Buhler Industries Inc. will fulfill this limited warranty by, at its option, repairing or replacing any covered part that is defective or is the result of improper workmanship, provided that the part is returned to Buhler Industries Inc. within thirty (30) days of the date that such defect or improper workmanship is, or should have been, discovered. Buhler Industries Inc. reserves the right to either inspect the product at the buyer's location or have it returned to the factory for inspection. Parts must be returned through the selling representative and the buyer must prepay transportation charges.

Buhler Industries Inc. will not be responsible for repairs or replacements that are necessitated, in whole or part, by the use of parts not manufactured by or obtained from Buhler Industries Inc. Under no circumstances are component parts warranted against normal wear and tear. There is no warranty on product pump seals, product pump bearings, rubber product hoses, pressure gauges, or other components that require replacement as part of normal maintenance. Also: Buckets and Bucket Tines carry no warranty, Bent Spears carry no warranty, Snowblower Fan Shafts carry no warranty, Mower Blades carry no warranty, Portable Auger Parts Have Two (2) Year Warranty, Loader Parts Have Two (2) Year Warranty. The purchaser is solely responsible for determining suitability of goods sold. This warranty is expressly in lieu of all other warranties expressed or implied. Buhler Industries Inc. will in no event be liable for any incidental or consequential damages whatsoever. Nor for any sum in excess of the price received for the goods for which liability is claimed.

### **Repair Parts Limited Warranty**

Buhler Industries Inc. warrants Farm King replacement parts purchased after the expiration of the Buhler Industries Inc. Limited Warranty, and used and serviced as provided for in the Operator's Manual, to be free from defects in materials or workmanship for a period of thirty (30) days from the invoice date for the parts. Buhler Industries Inc. will fulfill this limited warranty by, at its option, repairing or replacing any covered part that is defective or is the result of improper workmanship, provided that the part is returned to Buhler Industries Inc. within thirty (30) days of the date that such defect or improper workmanship is, or should have been, discovered. Such parts must be shipped to Buhler Industries Inc. at the purchaser's expense.

### **What is Not Covered**

Under no circumstances does this limited warranty cover any components or parts that have been subject to the following: negligence; alteration or modification not approved by Buhler Industries Inc.; misuse; improper storage; lack of reasonable and proper maintenance, service, or repair; normal wear; damage from failure to follow operating instructions; accident; and/or repairs that have been made with parts other than those manufactured, supplied, and or authorized by Buhler Industries Inc.

**Authorized Dealer and Labor Costs**

Repairs eligible for labor under this limited warranty must be made by Buhler Industries Inc. or an authorized Farm King dealer. Buhler Industries Inc. retains the exclusive discretion to determine whether it will pay labor costs for warranty repairs or replacements, and the amount of such costs that it will pay and the time in which the repairs will be made. If Buhler Industries Inc. determines that it will pay labor costs for warranty work, it will do so by issuing a credit to the dealer's or distributor's account. Buhler Industries Inc. will not approve or pay invoices sent for repairs that Buhler Industries Inc. has not previously approved. Warranty service does not extend the original term of this limited warranty.

**Warranty Requirements**

To be covered by warranty, each Farm King new product must be registered with Buhler Industries Inc. within thirty (30) days of delivery to original retail purchaser. If the customer decides to purchase replacement components before the warranty disposition of such components is determined, Buhler Industries Inc. will bill the customer for such components and then credit the replacement invoice for those components later determined to be covered by this limited warranty. Any such replacement components that are determined not be covered by this limited warranty will be subject to the terms of the invoice and shall be paid for by the purchaser.

**Warranty Claims:**

Warranty requests must be prepared on Buhler Industries Inc. Warranty Claim Forms with all requested information properly completed. Warranty Claims must be submitted within a thirty (30) day period from date of failure repair.

**Warranty Labor:**

Any labor subject to warranty must be authorized by Buhler Industries Inc. The labor rate for replacing defective parts, where applicable, will be credited at 100% of the dealer's posted shop rate.

**Exclusive Effect of Warranty and Limitation of Liability**

TO THE EXTENT PERMITTED BY LAW, BUHLER INDUSTRIES INC. DISCLAIMS ANY WARRANTIES, REPRESENTATIONS, OR PROMISES, EXPRESS OR IMPLIED, AS TO THE QUALITY, PERFORMANCE, OR FREEDOM FROM DEFECT OF THE COMPONENTS AND PARTS COVERED BY THIS WARRANTY AND NOT SPECIFICALLY PROVIDED FOR HEREIN.

TO THE EXTENT PERMITTED BY LAW, BUHLER INDUSTRIES INC. DISCLAIMS ANY IMPLIED WARRANTIES OF MERCHANTABILITY AND FITNESS FOR A PARTICULAR PURPOSE ON ITS PRODUCTS COVERED HEREIN, AND DISCLAIMS ANY RELIANCE BY THE PURCHASER ON BUHLER INDUSTRIES INC.'S SKILL OR JUDGMENT TO SELECT OR FURNISH GOODS FOR ANY PARTICULAR PURPOSE. THE PURCHASER'S ONLY AND EXCLUSIVE REMEDIES IN CONNECTION WITH THE BREACH OR PERFORMANCE OF ANY WARRANTY ON PRODUCTS MANUFACTURED BY BUHLER INDUSTRIES INC. ARE THOSE SET FORTH HEREIN. IN NO EVENT SHALL BUHLER INDUSTRIES INC. BE LIABLE FOR INCIDENTAL OR CONSEQUENTIAL DAMAGES (INCLUDING, BY WAY OF EXAMPLE ONLY AND NOT LIMITATION, LOSS OF CROPS, LOSS OF PROFITS OR REVENUE, OTHER COMMERCIAL LOSSES, INCONVENIENCE, OR COST OF REPLACEMENT OF RENTAL EQUIPMENT). IN NO EVENT SHALL FARM KING'S CONTRACT OR WARRANTY LIABILITY EXCEED THE PURCHASE PRICE OF THE PRODUCT.

(Note that some provinces or states do not allow limitations on how long an implied warranty lasts or the exclusion or limitation of incidental or consequential damages, so the above limitations and exclusion may not apply to you.) This warranty gives you specific legal rights and you may also have other rights, which vary from province to province or state to state.

Buhler Industries Inc. neither assumes nor authorizes any person or entity, including its selling representatives, to assume any other obligations or liability in connections with the sale of covered equipment, or to make any other warranties, representations, or promises, express or implied, as to the quality, performance, or freedom from defect of the components and parts covered herein. No one is authorized to alter, modify, or enlarge this limited warranty, or its exclusions, limitations and reservations.

Corrections of defects and improper workmanship in the manner, and for the applicable time periods, provided for herein shall constitute fulfillment of all responsibilities of Buhler Industries Inc. to the purchaser, and Buhler Industries Inc. shall not be liable in negligence, contract, or on any other basis with respect to the subject equipment.

This limited warranty is subject to any existing conditions of supply which may directly affect Buhler Industries Inc.'s ability to obtain materials or manufacture replacement parts.

Buhler Industries Inc. reserves the right to make improvements in design or changes in specifications to its products at anytime, without incurring any obligation to owners of units previously sold.

**Government Legislation:**

Warranty terms and conditions are subject to provincial or state legislation.

**Important Note:** This warranty does not apply to rentals.





[www.farm-king.com](http://www.farm-king.com)

# Farm King

301 Mountain Street South  
Morden, Manitoba Canada R6M 1X7  
Ph.: 204.822.4467 | Fax: 204.822.6348  
Toll Free: 888.524.1004  
E-mail: [info@buhler.com](mailto:info@buhler.com)  
[www.farm-king.com](http://www.farm-king.com)

Equipment shown is subject to change without notice.  
©2010 Buhler Trading Inc. Printed in USA. TSX:BUI

**bühler** | a division of Buhler Industries Inc.