

## **WARRANTY REGISTRATION AND POLICY**

Buhler Manufacturing products are warranted for a period of twelve (12) months from original date of purchase, by original purchaser, to be free from defects in material and workmanship under correct, normal agricultural use and proper applications.

Buhler Manufacturing's obligations under this warranty shall be limited to the repair or exchange, at Buhler Manufacturing's option, of any Buhler Manufacturing product or part which proves to be defective as provided. Buhler Manufacturing reserves the right to either inspect the product at the buyer's location or have it returned to the factory for inspection.

The above warranty does not extend to goods damaged or subject to accident, abuse or misuse after shipment from Buhler Manufacturing's factory, nor to goods altered or repaired by anyone other than an authorized Buhler Manufacturing representative.

Buhler Manufacturing makes no Express Warranties other than those, which are specifically described. Any description of goods, including any references and specifications in catalogues, circulars and other written material published, is for the sole purpose of identifying goods and shall conform to such descriptions. Any sample or model is for illustrative purposes only and does not create an Express Warranty that the goods conform to sample or model shown.

The purchaser is solely responsible for determining suitability of goods sold. This warranty is expressly in lieu of all other warranties expressed or implied. Buhler Manufacturing will in no event be liable for any incidental or consequential damages whatsoever. Nor for any sum in excess of the price received for the goods for which liability is claimed.

### **WARRANTY CLAIMS:**

Warranty requests must be prepared on Buhler Manufacturing Warranty Claim Forms with all requested information properly completed. Warranty Claims must be submitted within a thirty (30) day period from date of failure repair.

### **WARRANTY LABOR:**

Any labor subject to warranty **must** be authorized by Buhler Manufacturing. The labor rate for replacing defective parts, where applicable, will be credited at a rate determined by the Company, Buhler Manufacturing.

### **IMPORTANT FACTS:**

**Buckets and Bucket Tines Carry No Warranty**

**Bent Spears Carry No Warranty**

**Snowblower Fan Shafts Carry No Warranty**

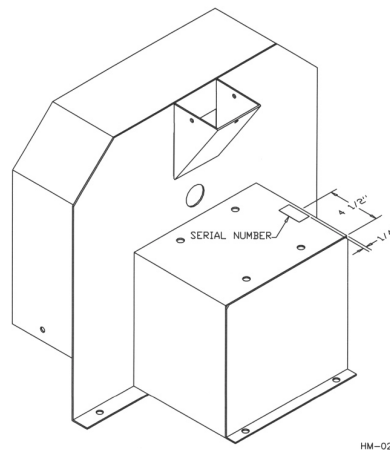
**Mower Blades Carry No Warranty**

**Portable Auger Parts Have Two (2) Year Warranty**

## OPERATION

The Model #60 Hammermill is a six-inch hammermill and is designed to run at the speed of 3600 rpm.

The power requirement for the mill is either a 3 hp or 5 hp electric motor, 3450 rpm. A 3 ½" pulley is required for the motor shaft. It is wise to install an ammeter gauge on the motor to prevent overloading the motor. A 12 hp stationary engine can also be used to run the hammermill.



## ASSEMBLY

Mount the motor on the motor mount and install the belts provided. Belts must be tight.

Hammermill can be driven in either direction.

Mount the pulleys and belts before attaching the guard. Slide the guard over the pulleys and belt. The top swivel end of the guard bolts on using one of the pillow bearing bolts as shown on drawing. A 5/16" x 1 ¼" bracket connects the guard to the hole in the side of the motor mount. Be sure the back plate is in place before using the hammermill.

The screen fits into the ring with the clip (where screen is joined) on top. After the screen is in place, turn screen so it is locked into position and then install the front cover.

## VIBRATION

If the hammers are locked with each other they cause vibration. If machine vibrates, check if all hammers are running freely. Broken hammers should always be replaced, as this affects the rotating balance of the cylinder.


## SCREENS

Screens are available in the following sizes: 3/32, 1/8, 5/32, 3/16, 1/4, 5/16, 3/8 and 1/2 inch mesh.

Use a 3/32" screen when very fine feed is needed as for small pigs. For average feeder pigs, a 1/8" screen can be used. Cattle feed can be hammered with a 1/4" or 5/16" screen. A 1/2" screen is available for coarse grinding.

## LUBRICATION

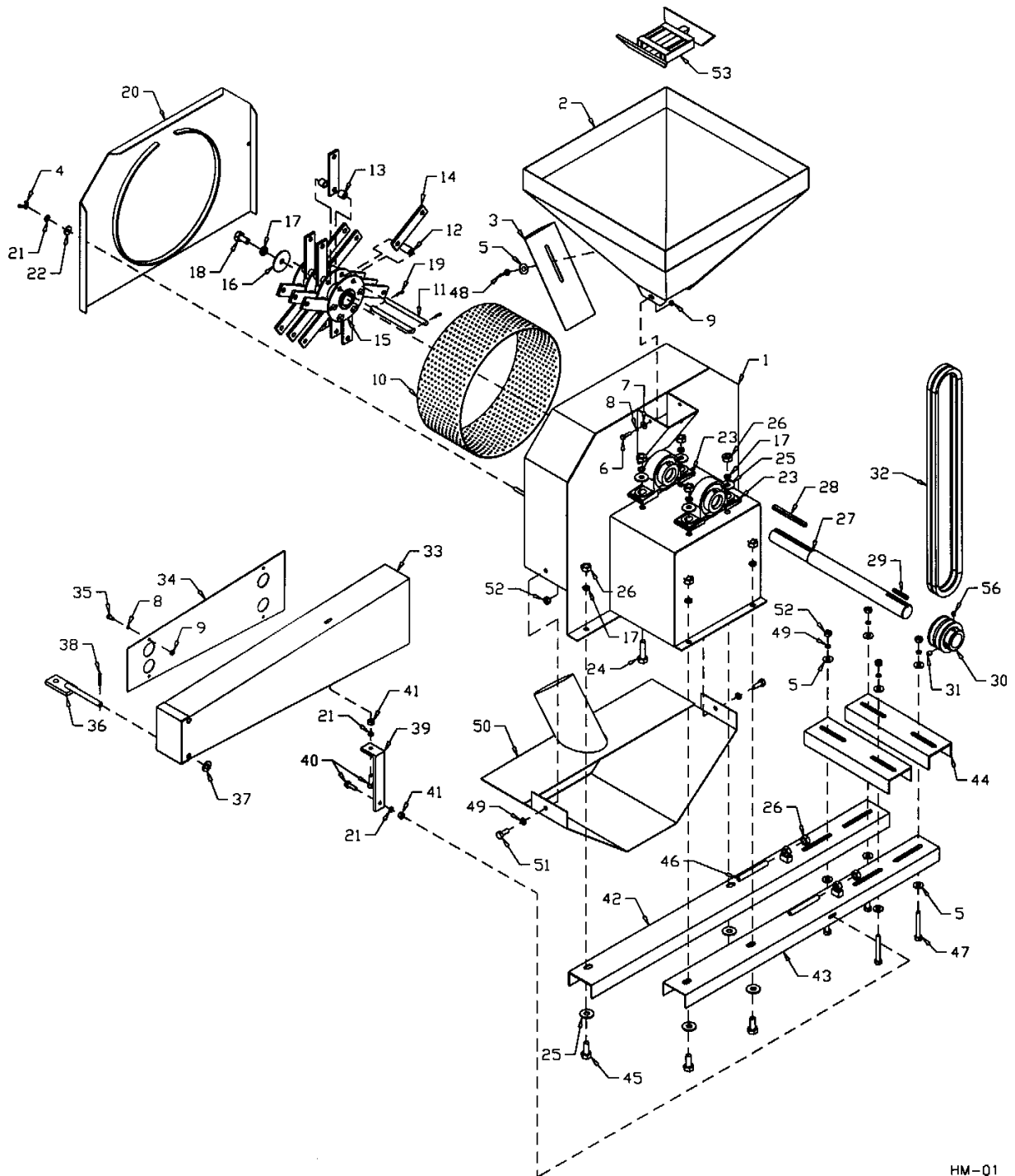
Providing grease does not escape from bearings, they should be greased every 40 working hours. Only small amounts of grease to be used with each greasing. Over greasing will cause the oil seals to break thus allowing grease to escape and dust to enter. Over greasing will also cause the bearing to heat.

 **ALERT:** Some bearings might be sealed bearings, therefore, no lubrication will be required.

## MAINTENANCE

The hammers are 4-way reversible and made of high carbon steel to provide long lasting wear.

When reversing hammers, reverse the complete set or the rotation balance of the cylinder will be affected.



HM-01

**WHEN ORDERING PARTS**

Always give your dealer the Model and Serial Number of your machine to assist him in ordering and obtaining the correct parts. Use the exploded view and tabular listing of the area of interest to exactly identify the required part.

**#60 HAMMERMILL PARTS LIST**

<b>Item #</b>	<b>Part #</b>	<b>Description</b>
1	968612	Body
2	968615	Hopper
3	968614	Grain Flow Control Gate
4	968601	5/16" Wing Nut (pl)
5	84000	3/8" Flat Washer (pl)
6	81527	1/4" x 1" Hex Bolt (pl)
7	81546	1/4" Flat Washer (pl)
8	81545	1/4" Lock Washer (pl)
9	81544	1/4" Hex Nut (pl)
10	F5110	6" x 3/32" Screen
	F5111	6" x 1/8" Screen
	F5112	6" x 5/32" Screen
	F5113	6" x 3/16" Screen
	F5114	6" x 1/4" Screen
	F5115	6" x 5/16" Screen
	F5116	6" x 3/8" Screen
	F5117	6" x 1/2" Screen
11	968609	7/16" x 5 3/4" Hammer Shaft
12	968606	1 3/16" Long Spacers
13	968607	5/8" Short Spacers
14	968626	1/4" x 1 1/4" x 5" Hammer Sets
15	968625	Rotor Complete With Hammers
	968605	Rotor Less Hammers
16	968604	2 1/4" O.D. Flat Washer (1/2" I.D.)
17	81637	1/2" Lock Washer (pl)
18	81619	1/2" x 1" Hex Bolt (pl)
19	9812431	3/16" x 3/4" Cotter Pin
20	968602	Cover
21	81569	5/16" Lock Washer (pl)
22	81570	5/16" Flat Washer (pl)
23	968616	1 1/2" Pillow Bearing P208-108
	968627	1 1/2" Bearing Only AEL208-108
24	811791	1/2" x 2" Hex Bolt (pl)
25	81638	1/2" Flat Washer (pl)

26	81636	1/2" Hex Nut (pl)
27	968621	Main Shaft 1 1/2" x 19"
28	968618	5/16" x 4 1/2" Key
29	968811	1 1/4" x 2" Key
30	968620	3 1/4" O.D. x 1 1/2" Bore Double Pulley
31	812490	3/8" x 3/8" Socket Set Screw
32	968624	B-57 Belts (Set Of Two)
33	968659	Guard Weldment
34	968657	Guard Back Plate
35	81523	1/4" x 1/2" Hex Bolt (pl)
36	968647	Guard Swivel
37	84048	1/2" Flat Washer SAE (pl)
38	9812432	3/16" x 1 1/4" Cotter Pin (pl)
39	968658	Guard Mounting Bracket
40	812026	5/16" x 1" Hex Bolt (pl)
41	81568	5/16" Hex Nut (pl)
42	968610	42" Long Motor Mount
43	968623	36" Short Motor Mount
44	968622	12" Motor Mount Brackets
45	81620	1/2" x 1 1/4" Hex Bolt (pl)
46	9812380	1/2" x 4" SQ. HD. Set Screw (pl)
47	81583	3/8" x 3" Hex Bolt (pl)
48	84217	3/8" Wing Nut (pl)
49	81593	3/8" Lock Washer (pl)
50	F5120	Discharge Hopper (Optional) c/w hardware
51	86170	3/8" x 1" Hex Bolt (pl)
52	81592	3/8" Hex Nut (pl)
53	F5121	Magnet (Optional)
54		5 HP Electric Motor 3450 RPM (Supp. By Cust.)
55		3 1/2" Double Pulley/Electric Motor (Supp. By Cust.)
56	967050	3/8" x 1/4" Socket Set Screw

**#60 HAMMERMILL – BUNDLE NUMBER Y60**

QUANTITY REQUIRED	BUNDLE NUMBER	DESCRIPTION
1	F5100	Hammermill
1	F5101	Hopper
1	F5103	Belt Guard
OPTIONS:		
	F5121	Magnet
	F5120	Discharge Hopper