

bühler

farm king



8' & 10' Swath Roller

Operator's and Parts Manual
FK358

2006

TABLE OF CONTENTS

DESCRIPTION	PAGE NUMBER
Warranty	1
Operation	2
General Safety	3
Assembly	3
8' Swath Roller Drawing	4
8' Swath Roller Parts List.....	5
10' Swath Roller Drawing	7
10' Swath Roller Parts List.....	7 & 8
Shipping Bundles	9

WARRANTY POLICY

Buhler Manufacturing products are warranted for a period of twelve (12) months (90 days for commercial application) from original date of purchase, by original purchaser, to be free from defects in material and workmanship under correct, normal agricultural use and proper applications.

Buhler Manufacturing's obligations under this warranty shall be limited to the repair or exchange, at Buhler Manufacturing's option, of any Buhler Manufacturing product or part which proves to be defective as provided. Buhler Manufacturing reserves the right to either inspect the product at the buyer's location or have it returned to the factory for inspection.

The above warranty does not extend to goods damaged or subject to accident, abuse or misuse after shipment from Buhler Manufacturing's factory, nor to goods altered or repaired by anyone other than an authorized Buhler Manufacturing representative.

Buhler Manufacturing makes no Express Warranties other than those, which are specifically described. Any description of goods, including any references and specifications in catalogues, circulars and other written material published, is for the sole purpose of identifying goods and shall conform to such descriptions. Any sample or model is for illustrative purposes only and does not create an Express Warranty that the goods conform to sample or model shown.

The purchaser is solely responsible for determining suitability of goods sold. This warranty is expressly in lieu of all other warranties expressed or implied. Buhler Manufacturing will in no event be liable for any incidental or consequential damages whatsoever. Nor for any sum in excess of the price received for the goods for which liability is claimed.

WARRANTY CLAIMS:

Warranty requests must be prepared on Buhler Manufacturing Warranty Claim Forms with all requested information properly completed. Warranty Claims must be submitted within a thirty (30) day period from date of failure repair.

WARRANTY LABOR:

Any labor subject to warranty **must** be authorized by Buhler Manufacturing. The labor rate for replacing defective parts, where applicable, will be credited at 100% of the dealer's posted shop rate. Defective parts will receive an extra 10% discount to assist with freight or other incidental costs.

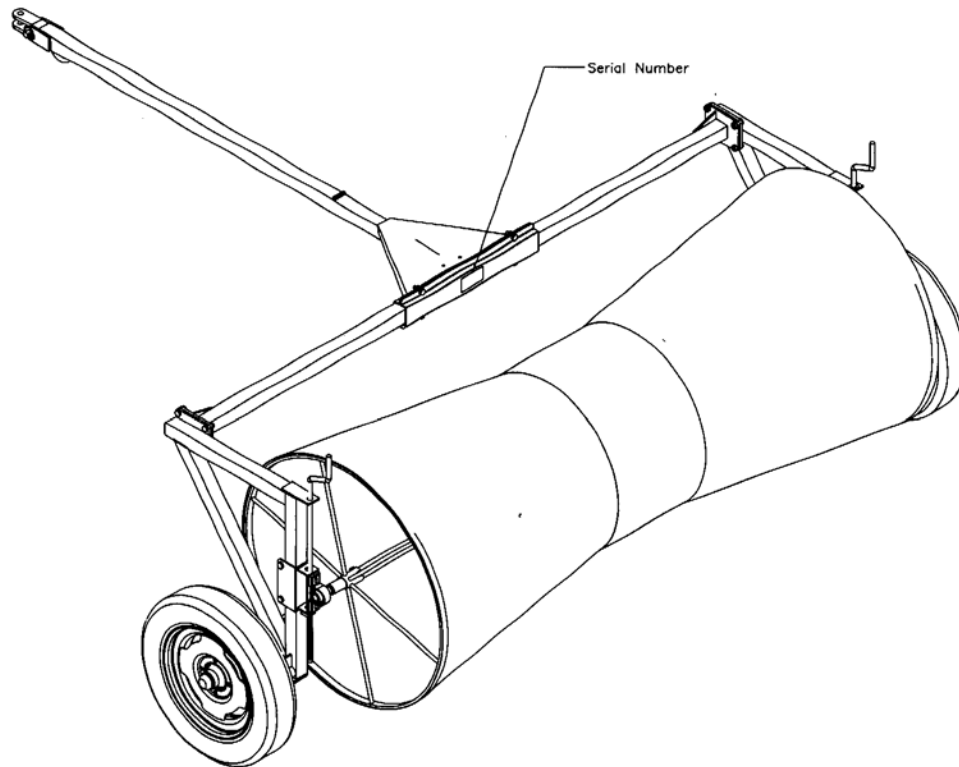
GOVERNMENT LEGISLATION:

Warranty terms and conditions are subject to Provincial or State legislation.

IMPORTANT FACTS:

Buckets and Bucket Tines Carry No Warranty
Bent Spears Carry No Warranty
Snowblower Fan Shafts Carry No Warranty
Mower Blades Carry No Warranty
Portable Auger Parts Have Two (2) Year Warranty
Loader Parts Have Two (2) Year Warranty

IMPORTANT NOTE: This warranty does not apply to rentals

SWATH ROLLER

SR-03


OPERATION

This machine is available in two sizes: Approximately eight feet wide and approximately 10 feet wide. The 8 foot drum is made of 16 gauge steel. The 10 foot drum is made of 14 gauge steel and has an extra set of braces for the hitch. Frame sides have a threaded crank to adjust the drum height. Wheels are standard 15 inch with four bolt hubs.

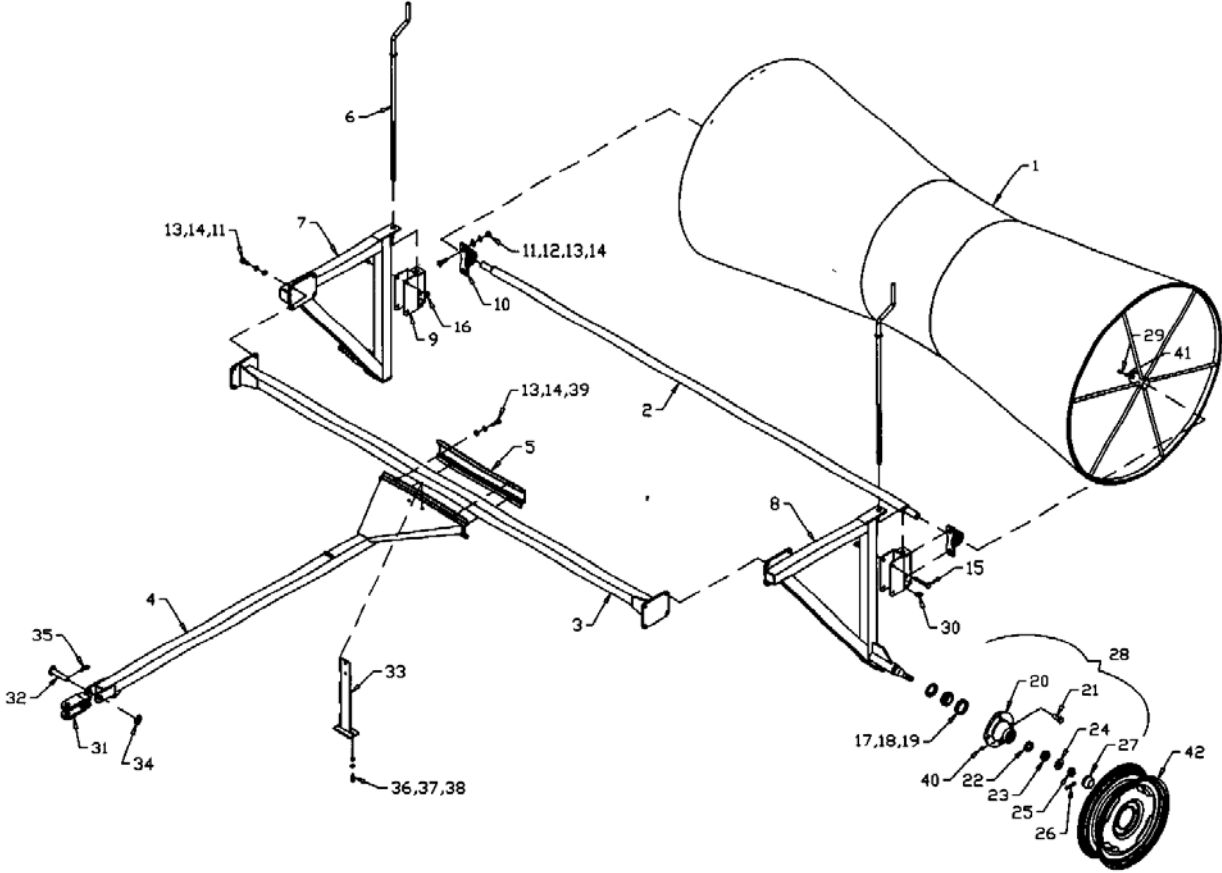
GENERAL SAFETY

1. Stop engine, set brake and remove ignition key before:
 - connecting or disconnecting.
 - servicing or making adjustments.
2. Do not allow riders.
3. Clear the area of people and foreign objects before starting the swather.
4. Use hazard warning lights and a SMV sign when transporting.

ASSEMBLY

1. Center the drum shaft (#2) in the drum (#1) and tighten in place using the set screws supplied in the hubs at the ends of the drum.
2. Slide the right and left side frames (#7) and (#8) onto the drum shaft with the side frames turned as shown in drawing.
3. Assemble the cross brace (#3) between the two side frames. Do not tighten the clamp bolts until after the bearings on the side frames have the collars locked in place. **NOTE:** When mounting bearings on a shaft, always tighten the bearing collar in the direction of shaft rotation using a center punch or a similar tool.
4. Clamp the hitch (#4) to the center of the cross brace.
 **ALERT:** The 10' Swath Roller has two additional braces (#31) clamped to both sides of the hitch.

8' SWATH ROLLER



SR-01

WHEN ORDERING PARTS

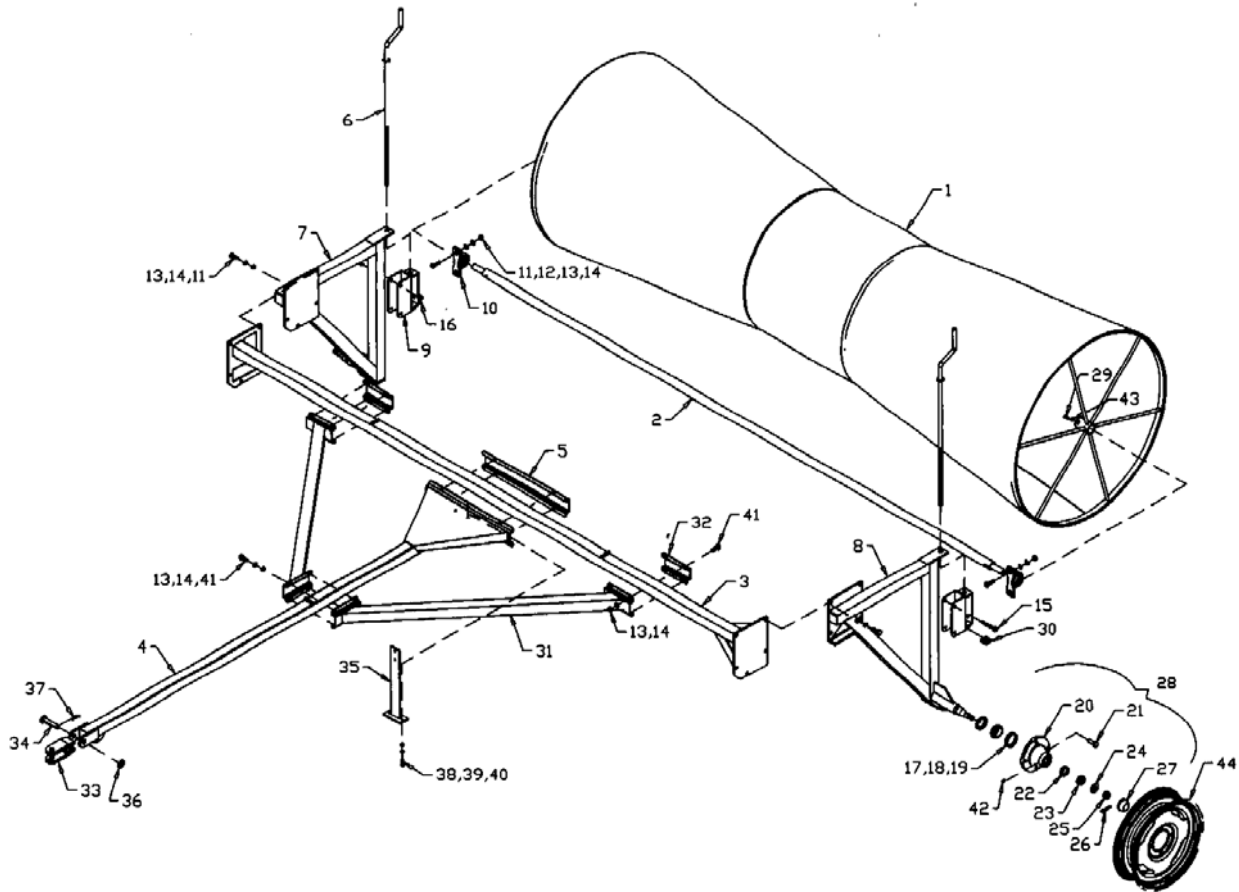
Always give your dealer the Model, Color and Serial Number of your machine to assist him in ordering and obtaining the correct parts. Use the exploded view and tabular listing of the area of interest to exactly identify the required part.

8' SWATH ROLLER

ITEM	PART #	DESCRIPTION
1	F6500	Drum Weldment
2	967501	Drum Shaft Weldment
3	967585	Cross-Brace
4	967590	Hitch Weldment
5	967504	Hitch Clamp (20")
6	967505	Crank Weldment
7	967587	Right Side Frame
8	967588	Left Side Frame
9	967508	Slider Bracket Weldment
10	961792	Housing W/Bearing Pillow
11	81599	7/16" x 1 1/2" Hex Bolt (pl)
12	981616	7/16" Flat Washer (pl)
13	81615	7/16" Lock Washer (pl)
14	81614	7/16" Hex Nut (pl)
15	812338	7/16" x 3" Hex Bolt (pl)
16	86273	7/16" Lock Nut (pl)
17	961891	Oil Seal (SE11)
18	967712	Inner Bearing Cone (LM67048)
19	967711	Inner Bearing Cup (LM67010)
20	105173	4-Bolt Hub W/Cups
21	968404	1/2" Wheel Bolt
22	968405	Outer Bearing Cup (LM11910)
23	968406	Outer Bearing Cone (LM11949)
24	9812416	Washer (3/4" S.A.E.) (pl)
25	81834	3/4" Slotted Hex Nut (br)
26	9812486	1/8" x 1 1/2" Cotter Pin
27	968409	Dust Cap (DC12)
28	9105173	H411 Hub Assembly
29	81213	3/8" x 1" Sq. Hd. Set Screw (pl)
30	967246	5/8" Square Nut (pl)
31	901005	Hitch Clevis

32	901078	Clevis Pin 3/4" x 3 1/2"
33	900368	SMV Mounting Bracket
34	84050	3/4" S.A.E. Flat Washer (pl)
35	9812433	3/16" x 1 1/2" Cotter Pin (pl)
36	812026	5/16" x 1" Hex Bolt (pl)
37	81568	5/16" Hex Nut (pl)
38	81569	5/16" Lock Washer (pl)
39	81598	7/16" x 1 1/4" Hex Bolt (pl)
40	967900	1/4" Grease Fitting
41	81592	3/8" Hex Nut (pl)
42	F7110	15" x 4.5" x 4-Bolt Wheel

10' SWATH ROLLER



SR-02

10' SWATH ROLLER

ITEM	PART #	DESCRIPTION
1	F6551	Drum Weldment
2	967577	Drum Shaft Weldment
3	967589	Cross-Brace
4	967579	Hitch Weldment
5	967504	Hitch Clamp
6	967505	Crank

7	901146	Right Side Frame
8	901147	Left Side Frame
9	967508	Slider Bracket
10	961792	1" Pillow Bearing
11	81599	7/16" x 1 1/2" Hex Bolt (pl)
12	981616	7/16" BS Flat Washer (pl)
13	81615	7/16" Lock Washer (pl)
14	81614	7/16" Hex Nut (pl)
15	812338	7/16" x 3" Hex Bolt (pl)
16	86273	7/16" Lock Nut (pl)
17	961891	Oil Seal (SE11)
18	967712	Inner Bearing Cone (LM67048)
19	967711	Inner Bearing Cup (LM67010)
20	105173	4-Bolt Hub W/Cups
21	968404	1/2" Wheel Bolt
22	968405	Outer Bearing Cup (LM11910)
23	968406	Outer Bearing Cone (LM11949)
24	9812416	Washer (3/4" S.A.E.)
25	81834	3/4" Slotted Hex Nut (br)
26	9812486	1/8" x 1 1/2" Cotter Pin
27	968409	Dust Cap (DC12)
28	9105173	H411 Hub Assembly
29	81213	3/8" x 1" Sq. Hd. Set Screw (pl)
30	967246	5/8" Square Nut (pl)
31	967580	Hitch Brace
32	967581	6" Clamp
33	901005	Hitch Clevis
34	901078	Clevis Pin 3/4" x 3 1/2"
35	900368	SMV Mounting Bracket
36	84050	3/4" S.A.E. Flat Washer (pl)
37	9812433	3/16" x 1 1/2" Cotter Pin (pl)
38	812026	5/16" x 1" Hex Bolt (pl)
39	81568	5/16" Hex Nut (pl)
40	81569	5/16" Lock Washer (pl)
41	81598	7/16" x 1 1/4" Hex Bolt (pl)
42	967900	1/4" Grease Fitting
43	81592	3/8" Hex Nut (pl)
44	F7110	15" x 4.5" x 4-Bolt Wheel

SWATH ROLLER SHIPPING BUNDLES

QUANTITY	BUNDLE NUMBER	DESCRIPTION
8' SWATH ROLLER: C800SR		
1	F6500	Drum Weldment
1	F6620	Frame Bundle
1	F6622	Hitch, Shaft, Brace Bundle
2	F7110	Wheel 15"
10' SWATH ROLLER: C1000SR		
1	F6551	Drum Weldment
1	F6625	Hitch, Shaft, Brace Bundle
1	F6626	Frame Bundle
2	F7110	Wheel 15"

NOTES

NOTES

DIVISION LOCATIONS

Farm King Division
301 Mountain Street S.
Morden, MB R6M 1X7
Ph.: (204) 822-4467
Fax: (204) 822-6348

Allied Division
1201 Regent Ave. W.
Box 1003
Winnipeg, MB R2C 3B2
Ph.: (204) 661-8711
Fax: (204) 654-2503

Inland Division
675 Washington Ave.
Winnipeg, MB R2K 1M4
Ph: (204) 667-7854
Fax: (204) 669-2599

B.I.I. Division
1330 43rd Street N.W.
Fargo, ND 58102
Ph: (701) 282-7014
Fax: (701) 282-5865

CANADIAN WAREHOUSES

B.C., Abbotsford
(604) 864-2665

AB, Edmonton
(403) 962-6991

SK, Regina
(306) 781-2300

ON, Woodstock
(519) 539-0435

ON, Jasper
(613) 283-1758

QC, Dorion
(450) 455-4840

U.S. WAREHOUSES

AR, West Memphis
(870) 732-3132

GA, Stone Mountain
(770) 908-9439

IA, Lakeview
(712) 657-8585

ID, Meridian
(208) 887-6006

IN, Clarksville
(812) 284-3376

KS, Wichita
(316) 265-9577

MN, Lakeville
(952) 469-5267

MT, Billings
(406) 248-7771

ND, Bismarck
(701) 223-1886

ND, Fargo
(701) 282-7003

NY, Syracuse
(315) 463-5276

OH, Youngstown
(330) 793-0862

OR, Portland
(503) 234-0378

SD, Huron
(605) 352-8616

TX, Houston
(713) 928-2632

UT, Salt Lake City
(801) 972-4321

WI, Portage
(608) 742-1370

OFFSHORE WAREHOUSES

Burando Hill
Katanning
W. Australia
011-618-98-214422

Chihuahua, Mexico
011-52-158-90306

John Kerr Equipment Ltd.
Wilcoxholm Farm
Linlithgow, W. Lothian
Scotland
011-441-506-842280

Skovde, Sweden
011-46-500-452651

Naestved, Denmark
011-45-557-29511

bühler

Buhler Manufacturing *"a partnership"*

301 Mountain Street S.
Morden MB.
R6M 1X7
Ph.: (204) 822-4467
Fax: (204) 822-6348
www.buhler.com