

TABLE OF CONTENTS

DESCRIPTION	PAGE NUMBER
Warranty	1
Operating Safety	2
Transport Safety	3
Maintenance Safety	3
Safety Signs	4
Hitch Assembly Instructions	5
Operating Instructions	6
Field Use Preparation	7
Field Operations	8
Disconnecting from Tractor	8
Maintenance	9
Bolt Torque	11
Side Discharge	12
Side Discharge Parts List	13
4' Rear Discharge	16
4' Rear Discharge Parts List	17
5'-7' Rear Discharge	20
5'-7' Rear Discharge Parts List	21
Gearbox	24
Gearbox Parts List	25
Spindle Assembly	26
Spindle Parts Lists	27
PTO Shaft	28
PTO Shaft Parts List	29
Chain Kit Assembly	31
Bundle Numbers	33

WARRANTY REGISTRATION AND POLICY

Buhler Manufacturing products are warranted for a period of twelve (12) months from original date of purchase, by original purchaser, to be free from defects in material and workmanship under correct, normal agricultural use and proper applications.

Buhler Manufacturing's obligations under this warranty shall be limited to the repair or exchange, at Buhler Manufacturing's option, of any Buhler Manufacturing product or part which proves to be defective as provided. Buhler Manufacturing reserves the right to either inspect the product at the buyer's location or have it returned to the factory for inspection.

The above warranty does not extend to goods damaged or subject to accident, abuse or misuse after shipment from Buhler Manufacturing's factory, nor to goods altered or repaired by anyone other than an authorized Buhler Manufacturing representative.

Buhler Manufacturing makes no Express Warranties other than those, which are specifically described. Any description of goods, including any references and specifications in catalogues, circulars and other written material published, is for the sole purpose of identifying goods and shall conform to such descriptions. Any sample or model is for illustrative purposes only and does not create an Express Warranty that the goods conform to sample or model shown.

The purchaser is solely responsible for determining suitability of goods sold. This warranty is expressly in lieu of all other warranties expressed or implied. Buhler Manufacturing will in no event be liable for any incidental or consequential damages whatsoever. Nor for any sum in excess of the price received for the goods for which liability is claimed.

WARRANTY CLAIMS:

Warranty requests must be prepared on Buhler Manufacturing Warranty Claim Forms with all requested information properly completed. Warranty Claims must be submitted within a thirty (30) day period from date of failure repair.

WARRANTY LABOR:

Any labor subject to warranty **must** be authorized by Buhler Manufacturing. The labor rate for replacing defective parts, where applicable, will be credited at a rate determined by the Company, Buhler Manufacturing.

IMPORTANT FACTS:

Buckets and Bucket Tines Carry No Warranty

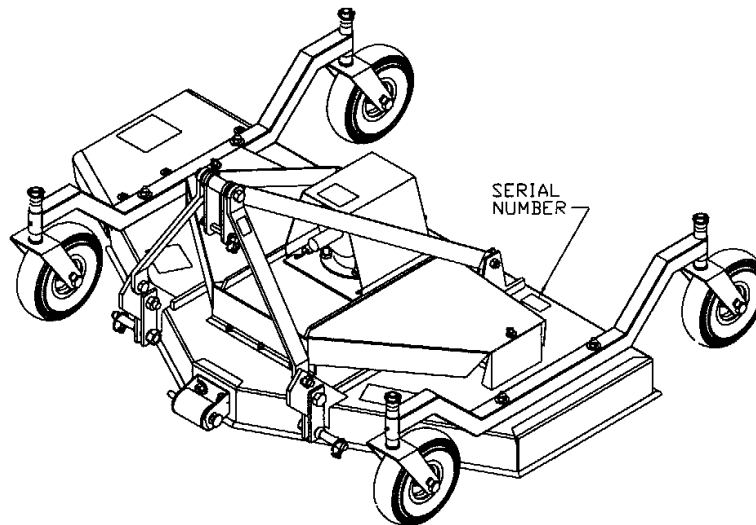
Bent Spears Carry No Warranty

Snowblower Fan Shafts Carry No Warranty

Mower Blades Carry No Warranty

Portable Auger Parts Have Two (2) Year Warranty

FINISHING MOWER



FM-09

There are both side or rear discharge mowers available:

- | | |
|------------------------|--|
| Side Discharge Mowers: | <ol style="list-style-type: none"> 1. F450S - 48" Cut 2. F550S - 60" Cut 3. F650S - 72" Cut |
| Rear Discharge Mowers: | <ol style="list-style-type: none"> 1. F450R - 48" Cut 2. F550R - 60" Cut 3. F650R - 72" Cut 4. F750R - 84" Cut |

All mowers have three blades to give a smooth even cut. Four wheels holding a free-floating deck allow the mower to follow all ground contours. A specification sheet is included with this manual.

SAFETY INSTRUCTIONS

Do not attempt to operate the mower until you have read the operator's manual and all the safety signs on the mower. **⚠ NOTE:** The words Danger, Signal or Caution on the safety signs indicate a hazard or unsafe practice, which could result in injury or death if proper precautions are not taken. Do not attempt any unauthorized modifications to the mower as this could affect the function or the safety of the mower.

OPERATING SAFETY

1. Keep all safety signs clean and legible at all times. Replace damaged or missing safety signs.
2. Ensure all shields are in place and in good condition before operating.
3. Ensure everyone is clear of the area before operating.
4. Never start or operate the mower except from the operator's station on the power unit.

OPERATING SAFETY – cont'd.

5. Do not permit riders.
6. Stop engine, set brake, remove key and wait for all moving parts to stop before servicing, adjusting, repairing and unplugging.
7. Never operate over 540 rpm PTO speed.
8. Inspect and clean the cutting area before cutting.
9. Never operate the mower in the raised position.
10. Do not wear loose fitting clothing during operation.
11. Keep hands, feet, clothing and hair away from moving parts.
12. Keep all bystanders away from the unit when it is operating.
13. Check to see that all controls are in neutral before starting the tractor.

TRANSPORT SAFETY

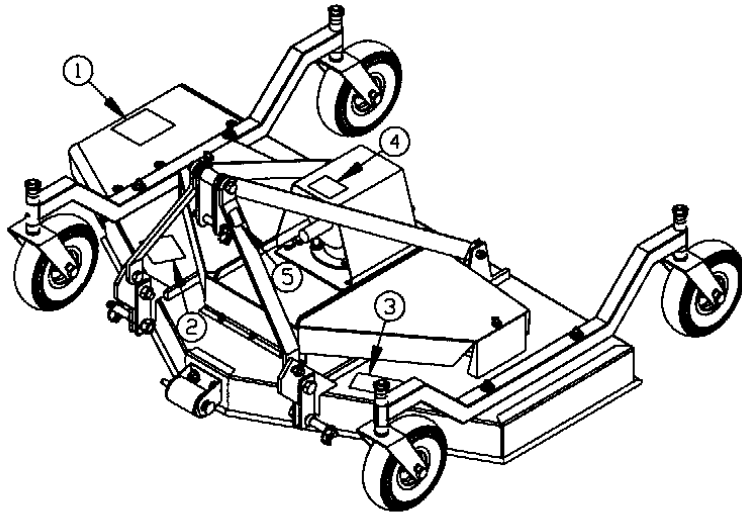
1. Do not transport on a public road without a slow moving vehicle sign and flashers on the tractor.
2. Never have the mower in operation during transport.
3. Travel speed with a raised mower should be slow enough to maintain stability of the tractor.

SERVICE AND MAINTENANCE SAFETY

1. Stop engine, set brake, remove key and wait for all moving parts to stop before servicing, adjusting, repairing or unplugging.
2. Block up before working beneath unit.
3. Replace all shields removed during servicing before operating.
4. Use heavy leather gloves to handle sharp blades.

The safety signs used on the mower and their location are shown on the following sheet along with the part number for the safety signs.

FINISHING MOWER SAFETY SIGNS



! DANGER		
<p>KEEP AWAY - ROTATING BLADES</p> <p>SERIOUS INJURY OR DEATH CAN RESULT FROM THROWN OBJECTS OR BLADE CONTACT.</p> <ul style="list-style-type: none"> - DO NOT STAND ON OR NEAR MACHINE WHEN IN OPERATION. - DO NOT OPERATE WITH DEFLECTORS OR GUARDS REMOVED. - USE SPECIAL CARE WHEN OPERATING IN POPULATED OR CONGESTED AREAS. 		
<small>966704</small>		

FM-07

1

! CAUTION
<ul style="list-style-type: none"> -READ OPERATOR'S MANUAL BEFORE USING. -ONLY TRAINED, COMPETENT PERSONS SHALL OPERATE THIS EQUIPMENT. -KEEP ALL SHIELDS IN PLACE. -KEEP HANDS, FEET, CLOTHING AND HAIR AWAY FROM MOVING PARTS. -STOP ENGINE, SET BRAKE, REMOVE KEY AND WAIT FOR ALL MOVING PARTS TO STOP BEFORE SERVICING, ADJUSTING, REPAIRING AND UNPLUGGING. -REMOVE BYSTANDERS, ESPECIALLY CHILDREN, BEFORE STARTING OR WHILE OPERATING. -BLOCK UP BEFORE WORKING BENEATH UNIT. -LOWER THE MOWER WHEN PARKING OR STORING. -REVIEW SAFETY INSTRUCTIONS ANNUALLY.
<small>966703</small>

2

! WARNING
<p>YOU MUST NOT OPERATE THIS MACHINE UNLESS:</p> <ol style="list-style-type: none"> 1. YOU ARE TRAINED IN ITS SAFE OPERATION AND 2. YOU KNOW AND FOLLOW MANUFACTURER'S SAFETY AND OPERATING INSTRUCTIONS AS OUTLINED IN THE OPERATOR'S MANUAL. <p>AN UNTRAINED OPERATOR SUBJECTS HIMSELF AND OTHERS TO SERIOUS INJURY OR DEATH.</p>
<small>966702</small>

3

! WARNING
<ul style="list-style-type: none"> -ENSURE DRIVELINE SHIELDS ARE IN PLACE AND IN GOOD CONDITION BEFORE OPERATING. -PTO OPERATING SPEED IS 540 RPM. -ALWAYS REMOVE TRACTOR KEY, SET PARK BRAKE AND PLACE MOWER IN LOWEST POSITION WHEN UNATTENDED. -ENSURE ROTATION OF ALL COMPONENTS HAS STOPPED BEFORE SERVICING.
<small>966701</small>

4

! CAUTION
<ul style="list-style-type: none"> - DO NOT PERMIT RIDERS. - KEEP SHIELDS IN PLACE. - ENSURE EVERYONE IS CLEAR OF AREA, ESPECIALLY CHILDREN, BEFORE OPERATING.
<small>966700</small>

5

Replace safety sign immediately should it become damaged, torn or illegible. Obtain replacements from your authorized dealer using the part numbers shown.

HITCH ASSEMBLY INSTRUCTIONS

1. The hitch is assembled except for the two pivot bars (#70). Bolt one end of each pivot bar between the welded brackets at the back of the deck using the bolts assembled in the mower.
2. Remove the 5/8" bolt (#41) at the top of the hitch assembly. Using the same bolt, assemble with the pivot bars on both sides of the upper lift bracket weldment (#63). The pivot bars should be between the lift bracket and the A-frame bars (#43).


OPERATING INSTRUCTIONS

The Finishing Mower is designed to be used on a tractor with a standard category 1 three-point hitch. See the specification sheet for horsepower requirements. Using excessive power will shorten the life of the drive train components.

CONNECTING TO TRACTOR:

Park the mower and tractor on a level dry area free of debris and foreign objects.

1. Slowly back the tractor up to the machine.
2. Adjust the three-point arms to align with the mower lift pins.
3. Stop the tractor, set the parking brake and remove the ignition key before dismounting.
4. Slide the three-point arms on the lift pins and lock in place with the clips supplied.
5. With the engine on the tractor shut off, attach the PTO shaft. Both ends of the PTO have a standard 6-spline end with a spring-loaded locking collar. Turn the round collar at the ends of the PTO clockwise to slide onto the splined shafts. The spring-loaded pin in the PTO yoke must lock into the groove on the splined shaft on the gearbox and tractor. Always check to see that both ends of the PTO shaft are securely attached every time the mower is used. This should always be done with the tractor engine shut off. Attach the safety chains supplied with the PTO shaft, allowing sufficient slack for the driveline during turns and operation. Check booklet attached to the PTO for instructions.

 **NOTE:** At least one third of the telescoping length of the PTO should overlap when the mower is in operation.

6. Attach the top link on the tractor to the link pin assembled in the upper lift pin bracket (#63). Adjust the turnbuckle on the tractor top link so that the upper lift bracket hangs straight down with the tractor and mower both on level ground.

FIELD USE PREPARATION

1. Park the unit on hard level ground with the mower slightly raised.
2. Adjust the sway blocks or chains on the tractor so the mower is centered between the rear wheels.
3. Adjust the three-point arms to level the mower side to side.
4. Adjust the turnbuckle on the top of the three-point hitch arms to level the mower front and back.
5. Adjust the cutting height using the wheel spacers (#50 and #51) on the wheel yokes. The spacers should be set at the same height on all four wheels.
6. Check the oil level in the gearbox and add as required (see maintenance section).
7. Grease spindle assembly, wheel bearings, wheel pivots and the PTO shaft (see maintenance section).
8. Check tightness of belts, bolts and other hardware (see maintenance section).
9. Check blades to see if they are damaged. Sharpen or replace blades if necessary. Check that blade bolts are tight.
10. Clear the working area of foreign objects and check that all bystanders are standing clear before starting.
11. Start the tractor with the mower resting on the ground on all four wheels.
12. Slowly engage the PTO and bring the PTO speed up to 540 rpm for cutting.

FIELD OPERATION

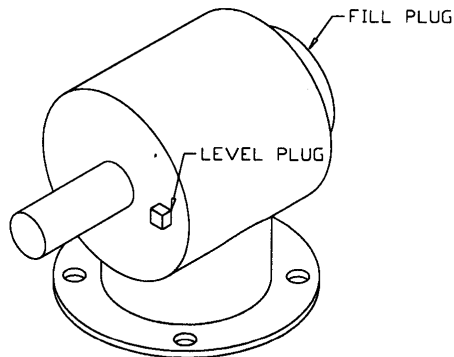
1. The mower works best on dry grass. Slower cutting speed and occasional cleaning may be required on damp or wet grass.
2. The PTO must run at the full 540 rpm for a good cut. Slower speeds or double cutting could be required for very high grass.
3. Use a higher blade setting for rough areas to prevent scalping of the surface.
4. Always cut counter-clockwise so grass clippings are thrown on the grass already cut. This saves power and wear on the blades.
5. Sharpen blades if grass tears instead of cutting cleanly.
6. Slow down when cutting corners. Turning too sharply on corners can leave a small strip of grass uncut.

DISCONNECTING FROM TRACTOR

1. Park on a firm level area and clean the mower.
2. Lower the mower until the load is off the hitch arms.
3. Disconnect the hitch arms and the PTO shaft.
4. Cover the mower for storage to prevent rust.

MAINTENANCE

1. **GEARBOX:** The gearbox should be filled with SAE 90 oil to the bottom of level plug when shipped. Check the mower before using and at regular intervals (approx. every 40 hours). See that this oil level is maintained.

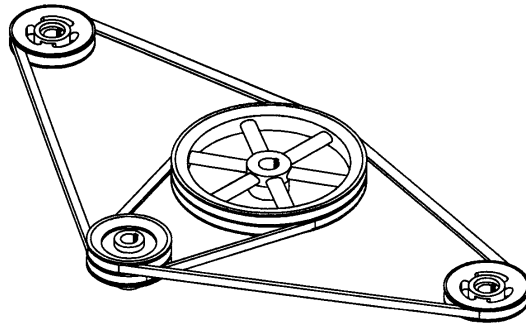


FM-06

2. **GREASE:** Grease wheel yokes, wheel bushing and PTO u-joints approximately every 8 hours. Before using the mower for the first time, grease wheel bushings until you can see the grease squeezed out at the ends of the wheel hub. Lubricate the telescoping PTO tube and the quick release collars on the ends of the shaft about every 20 hours. Clean all grease fittings before injecting grease and immediately replace any damaged or missing grease fittings. When using the safety chains supplied with the PTO shaft, she shield bearings must be kept lubricated. **NOTE:** There is no grease nipple on the spindles because they use sealed bearings.
3. **SHIELDING:** Always keep all shielding in place and repair or replace if damaged.
4. **BLADES:** When replacing or grinding blades, all three blades must be replaced or reground at the same time to maintain the proper balance in the cutting unit. Block up the mower securely before attempting to remove the blades. Use heavy leather gloves to handle the blades. Be sure to tighten center bolt and lock washer securely when replacing blades. Use a torque wrench to re-tighten spindle bolts to 180 ft.-lbs. The bolts have a patch of thread lock material pre-approved which will hold for up to five usages. Always replace the lock washer with an extra heavy duty supplied with the spindle

MAINTENANCE – Cont'd.

5. **BELTS:** Remove the belt guards to check belt tightness. The center of the belt span should deflect about $\frac{1}{2}$ " with nominal pressure. If the belts slip or are too loose, the bolts holding the gearbox must be loosened. Use the threaded tightener rod on the gearbox mount to tighten the belts. Lock the rod in place and re-tighten the gearbox bolts when the belts are properly tightened. Replace belt guards. Changing belts follows the same procedure as given in the preceding paragraph, except you will have to loosen the belts further to remove them. The belt installation is shown in the following drawing. **NOTE:** Belts should always be replaced in matched sets.



FM-07

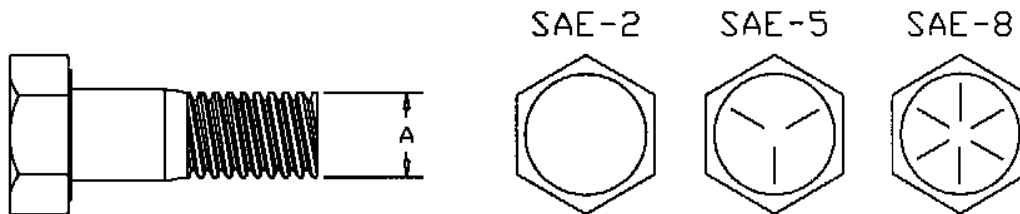
BOLT TORQUE

CHECKING BOLT TORQUE

The tables shown below give correct torque values for various bolts and hex bolts. Tighten all bolts to the torques specified in chart unless otherwise noted. Check tightness of bolts periodically, using bolt torque chart as a guide. Replace hardware with the same strength bolt.

ENGLISH TORQUE SPECIFICATIONS

Bolt Diameter "A"	Bolt Torque *					
	SAE2		SAE 5		SAE 8	
N.m	(lb-ft)	N.m	(lb-ft)	N.m	(lb-ft)	
1/4"	8	(6)	12	(9)	17	(12)
5/16"	13	(10)	25	(19)	36	(27)
3/8"	27	(20)	45	(33)	63	(45)
7/16"	41	(30)	72	(53)	100	(75)
1/2"	61	(45)	110	(80)	155	(115)
9/16"	95	(70)	155	(115)	220	(165)
5/8"	128	(95)	215	(160)	305	(220)
3/4"	225	(165)	390	(290)	540	(400)
7/8"	230	(170)	570	(420)	880	(650)
1"	345	(225)	850	(630)	1320	(970)



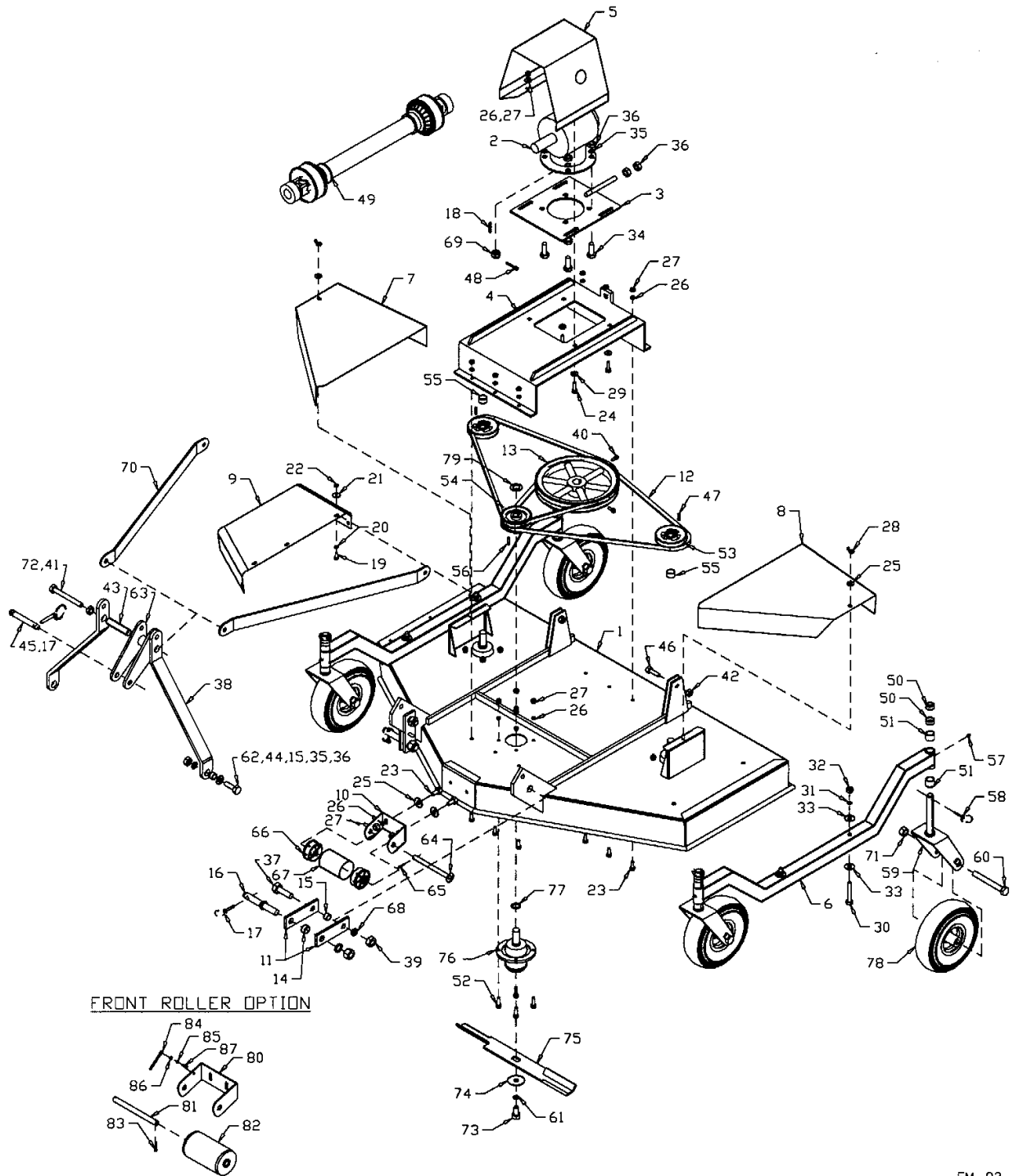
FM-08

NOTE: See page 9 for correct spindle torque. Do not use this chart for spindle bolt only.

Torque figures indicated above are valid for non-greased or non-oiled threads and heads unless otherwise specified. Therefore, do not grease or oil bolts or hex bolts unless otherwise specified in this manual. When using locking elements, increase torque values by 5%.

* Torque value for bolts and hex bolts are identified by their head markings.

FINISHING MOWER (SIDE DISCHARGE)



WHEN ORDERING PARTS

Always give your dealer the Model and Serial Number of your machine to assist him in ordering and obtaining the correct parts. Use the exploded view and tabular listing of the area of interest to exactly identify the required part.

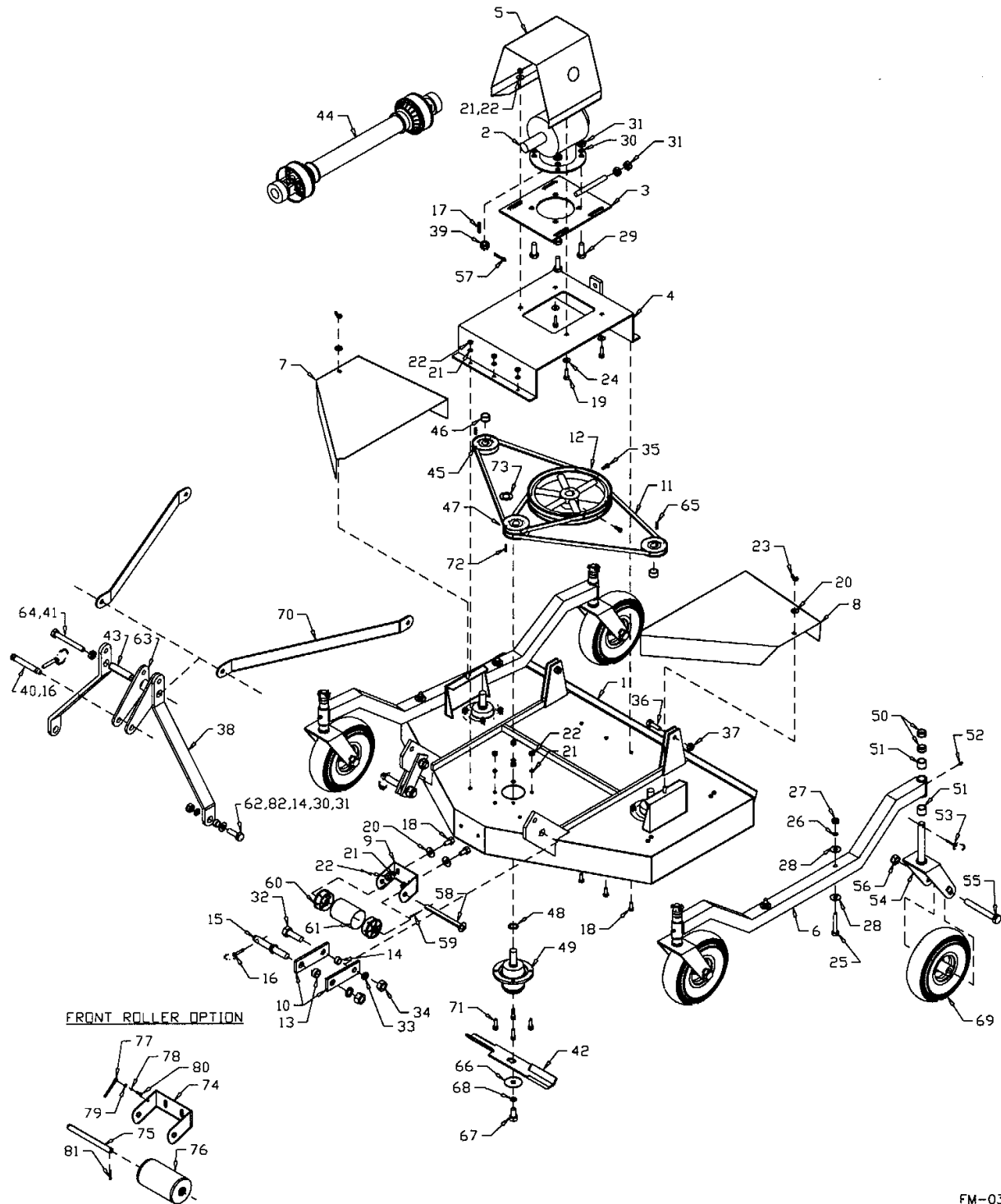
SIDE DISCHARGE FINISHING MOWER

ITEM	PART #	DESCRIPTION
1	902663	4' Deck Weldment
	902664	5' Deck Weldment
	902665	6' Deck Weldment
2	912300158	Gearbox (Filled w/ Oil)
3	980004200	Gearbox Base Plate
4	906342	Gearbox Mount Plate (4')
	906343	Gearbox Mount Plate (5' & 6')
5	966748	PTO Guard
6	966762	47" Axle Beam Weldment (4')
	980008111	51" Axle Beam Weldment (5')
	966763	53" Axle Beam Weldment (6')
7	906346	R.H. Pulley Guard (4')
	906353	R.H. Pulley Guard (5')
	906355	R.H. Pulley Guard (6')
8	906347	L.H. Pulley Guard (4')
	906354	L.H. Pulley Guard (5')
	906356	L.H. Pulley Guard (6')
9	966749	Discharge Shield (4')
	966750	Discharge Shield (5')
	966751	Discharge Shield (6')
10	966724	Roller Mt Brkt 10ga x 3 3/4" x 13 7/16" (4' & 5')
	966182	Roller Mt Brkt 7ga x 4" x 16 3/16" (6')
11	966723	Lift Bracket
12	904250	B-61 Belt (4')
	904251	B-70 Belt (5')
	973506	B-78 Belt (6')
13	966722	12" Double Sheave c/w Set Screws
14	966601	Lift Pin Bushing 1 1/4" O.D. x 9/16" long
15	966727	Hitch Bushing 1" O.D. x 9/16" long
16	966823	Lift Pin c/w Nut & Washer (XL) (Cat. 1)
17	965911	7/16" Linch Pin (1493)
18	900929	Pulley Key 1/4" Sq x 1 5/8" long
19	81549	5/16" x 3/4" Hex Bolt (pl)

20	81569	5/16" Lock Washer (pl)
21	81570	5/16" B.S. Flat Washer (pl)
22	81568	5/16" Hex Nut (pl)
23	86170	3/8" x 1" Hex Bolt (pl)
24	86182	3/8" x 1 1/4" Carriage Bolt (pl)
25	84000	3/8" B.S. Flat Washer (pl)
26	81593	3/8" Lock Washer (pl)
27	81592	3/8" Hex Nut (pl)
28	84217	3/8" Wing Nut (pl)
29	964001	1" x 7/16" I.D. x 10ga Flat Washer (pl)
30	81628	1/2" x 3 1/4" Hex Bolt (pl)
31	81637	1/2" Lock Washer (pl)
32	81636	1/2" Hex Nut (pl)
33	812769	1 1/2" O.D. x 9/16" I.D. x 10ga Washer (pl)
34	84270	5/8" x 1 3/4" Hex Bolt (pl)
35	81677	5/8" Lock Washer (pl)
36	81676	5/8" Hex Nut (pl)
37	84346	3/4" x 2 1/2" Hex Bolt (pl)
38	906789	A-Frame 24" long
39	81700	3/4" Hex Nut (pl)
40	9812377	5/16" x 3/4" Sq Head Set Screw (pl)
41	813529	5/8" Lock Nut (pl)
42	812364	1/2" Lock Nut (pl)
43	906791	Arm Spacer 1"OD x 4 1/8"
44	81678	5/8" BS Flat Washer Std (pl)
45	965807	Top Link Pin (Cat. 1)
46	84277	1/2" x 1 1/2" Hex Bolt (pl)
47	900931	1/4" Sq x 1.11" Key
48	81207	3/16" x 2" Cotter Pin
49	F0398	PTO Shaft (4')
	F0399	PTO Shaft (5' & 6')
50	966731	1/2" long x 1 5/16" O.D. Bushing (pl)
51	966730	1" long x 1 5/16" O.D. Bushing (pl)
52	86171	3/8" x 1 1/4" Hex Bolt (pl)
53	904243	3 3/4" Single Sheave c/w Set Screws (4')
	904245	4 1/2" Single Sheave c/w Set Screws (5' & 6')
54	904244	3 3/4" Double Sheave c/w Set Screws (4')
	904246	4 1/2" Double Sheave c/w Set Screws (5' & 6')
55	966811	Sheave Spacer 1 1/4" O.D. x .70" long
56	900930	1/4" Sq x 1 1/2" Key
57	967164	Pound-in Grease Nipple (pl)

58	966729	3/16" Linch Pin (pl)
59	966855	Wheel Yoke
60	902614	3/4" x 6" Wheel Bolt (pl)
61	966190	5/8" Lock Wash (pl) Extra Heavy (Supp w/ Spndl)
62	84299	5/8" x 2" Hex Bolt (pl)
63	906792	Arm Brace Weldt
64	966726	5/8" x 5 17/32" Roller Pin (4' & 5')
	966180	5/8" x 7 1/16" Roller Pin (6')
65	9812433	3/16" x 1 1/2" Cotter Pin (pl)
66	966721	Nylon Ends (4' & 5')
	966177	Nylon Ends (6')
67	966725	3" O.D. x 4" Roller Tube (4' & 5')
	966179	4" O.D. x 5 3/8" Roller Tube (6')
68	81701	3/4" Lock Washer (pl)
69	905247	1" Washer & Slotted Hex Nut Weldt Incl. W/ Gbox
70	902655	Pivot Bar 1/4" x 2" x 36" long (4')
	902656	Pivot Bar 1/4" x 2" x 38 1/2" long (5')
	902657	Pivot Bar 1/4" x 2" x 43 1/2" long (6')
71	812365	3/4" Lock Nut (pl)
72	81674	5/8" x 5 1/2" Hex Bolt (pl)
73	966189	5/8" x 1 1/4" Gr. 8 Hex Bolt Lck (Supp w/ Spndl)
74	966188	2 1/2" O.D. x 21/32" I.D. Wash (Supp w/ Spndl)
75	966737	17 3/4" Standard Blade (4')
	966719	21 3/4" Standard Blade (5')
	966738	25 3/4" Standard Blade (6')
76	906339	Spindle w/ Hardware
77	912301558	1" Snap Ring
78	966852	4.10/3.50-4 Tire w/Wheel (4 1/2" hub)
79	967140	Narrow Rim Washer 1" x 10ga (pl)
80	903488	Roller Holder 1/4" x 4 5/32" x 18 1/4"
81	903104	Roller Pin 3/4" Dia x 8 3/4" Long
82	903113	Roller Tube Assy
83	967445	1/4" x 1 1/4" Cotter Pin (pl)
84	9812436	1/4" x 2 1/2" Cotter Pin (pl)
85	81545	1/4" Lock Washer (pl)
86	81544	1/4" Hex Nut (pl)
87	81525	1/4" x 3/4" Hex Bolt (pl)

FINISHING MOWER (4' REAR DISCHARGE)



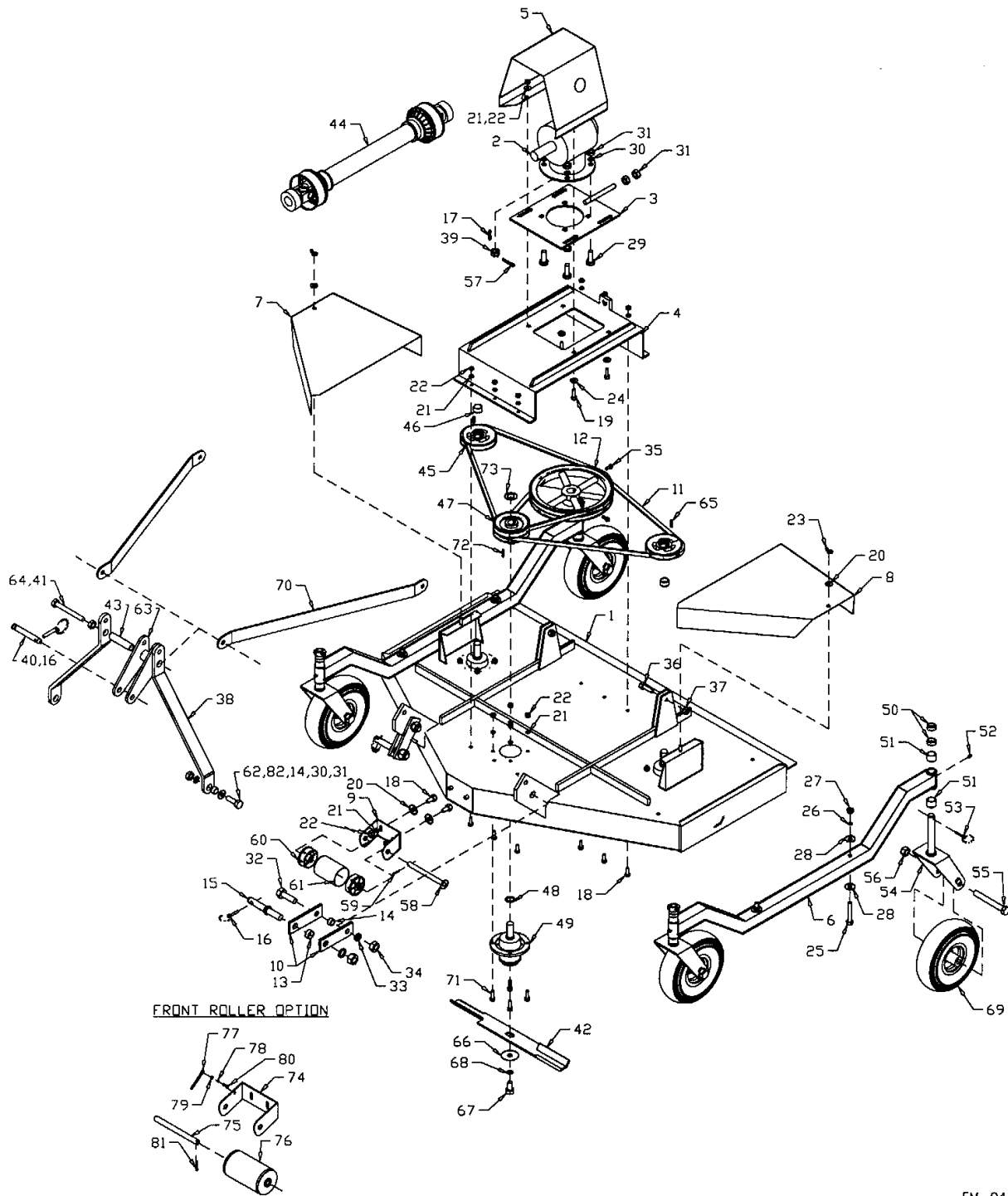
4' REAR DISCHARGE FINISHING MOWER

ITEM	PART #	DESCRIPTION
1	903815	Deck Weldment (4')
2	912300158	Gearbox (Filled W/ Oil)
3	980004200	Gearbox Base Plate
4	906342	Gearbox Mount Plate
5	966748	PTO Guard
6	903804	53" Axle Beam Weldment
7	906346	R.H. Pulley Guard
8	906347	L.H. Pulley Guard
9	966724	Roller Holder 10ga x 3 3/4" x 13 7/16"
10	966723	Lift Bracket
11	904250	B-61 Belts
12	966722	12" Double Sheave c/w Set Screws
13	966601	Lift Pin Bushing (1 1/4" O.D. x 9/16" long)
14	966727	Hitch Bushing (1" O.D. x 9/16" long)
15	966823	Lift Pin c/w Nut & Washer (XL) (Cat. 1)
16	965911	7/16" Linch Pin (1493)
17	900929	Pulley Key (1/4" sq x 1 5/8" long)
18	86170	3/8" x 1" Hex Bolt (pl)
19	86182	3/8" x 1 1/4" Carriage Bolt (pl)
20	84000	3/8" B.S. Flat Washer (pl)
21	81593	3/8" Lock Washer (pl)
22	81592	3/8" Hex Nut (pl)
23	84217	3/8" Wing Nut (pl)
24	964001	1"O.D. x 7/16" I.D.x 10ga Flat Washer (pl)
25	81628	1/2" x 3 1/4" Hex Bolt (pl)
26	81637	1/2" Lock Washer (pl)
27	81636	1/2" Hex Nut (pl)
28	812769	1 1/2" O.D. x 9/16" I.D. x 10ga Washer (pl)
29	84270	5/8" x 1 3/4" Hex Bolt (pl)
30	81677	5/8" Lock Washer (pl)
31	81676	5/8" Hex Nut (pl)
32	84346	3/4" x 2 1/2" Hex Bolt (pl)
33	81701	3/4" Lock Washer (pl)
34	81700	3/4" Hex Nut (pl)
35	9812377	5/16" x 3/4" Sq Head Set Screw (pl)
36	84277	1/2" x 1 1/2" Hex Bolt (pl)

37	812364	1/2" Lock Nut (pl)
38	906789	A-Frame 24" long
39	905247	1"ID Washer & Slotted Hex Nut Weldt Incl. W/Gbox
40	965807	Top Link Pin (Cat. 1)
41	813529	5/8" Lock Nut (pl)
42	966737	17 3/4" Standard Blade
43	906791	Arm Spacer 1"OD x 4 1/8"
44	F0398	PTO Shaft
45	904243	3 3/4" Single Sheave Assy (machined end up)
46	966811	Sheave Spacer 1 1/4" O.D. x .70" long
47	904244	3 3/4" Double Sheave c/w Set Screws
48	912301558	1" Snap Ring
49	906339	Spindle w/ Hardware
50	966731	1/2" long x 1 5/16" O.D. Bushing (pl)
51	966730	1" long x 1 5/16" O.D. Bushing (pl)
52	967164	Pound-in Grease Nipple
53	966729	3/16" Linch Pin (pl)
54	966855	Wheel Yoke
55	902614	3/4" x 6" Wheel Bolt (pl)
56	812365	3/4" Lock Nut (pl)
57	81207	3/16" x 2" Cotter Pin (br)
58	966726	5/8" x 5 17/32" Roller Pin
59	9812433	3/16" x 1 1/2" Cotter Pin (pl)
60	966721	Nylon End
61	966725	Roller Tube 3" O.D. x 4" long
62	84299	5/8" x 2" Hex Bolt (pl)
63	906792	Arm Brace Weldt
64	81674	5/8" x 5 1/2" Hex Bolt (pl)
65	900931	1/4" Sq. x 1.11" Key
66	966188	2 1/2" O.D. x 21/32" I.D. Wash (Supp w/ Spndl)
67	966189	5/8" x 1 1/4" Gr. 8 Hex Bolt Lck (Supp w/ Spndl)
68	966190	5/8" Lock Wash (pl) Extra Heavy (Supp w/ Spndl)
69	966852	4.10 x 3.50-4 Tire with Wheel
70	902655	Pivot Bar 36" long
71	86171	3/8" x 1 1/4" Hex Bolt (pl)
72	900930	1/4" x 1 1/2" Key
73	967140	1" x 10ga Narrow Rim Washer (pl)
74	903488	Roller Holder 1/4" x 4 5/32" x 18 1/4" long

75	903104	Roller Pin 3/4" dia. X 8 3/4" long
76	903113	Front Roller Assembly
77	9812436	1/4" x 2 1/2" Cotter Pin (pl)
78	81545	1/4" Lock Washer (pl)
79	81544	1/4" Hex Nut (pl)
80	81525	1/4" x 3/4" Hex Bolt (pl)
81	967445	1/4" x 1 1/4" Cotter Pin (pl)
82	81678	5/8" BS Flat Washer Std (pl)

FINISHING MOWER (5', 6' & 7' REAR DISCHARGE)



FM-04

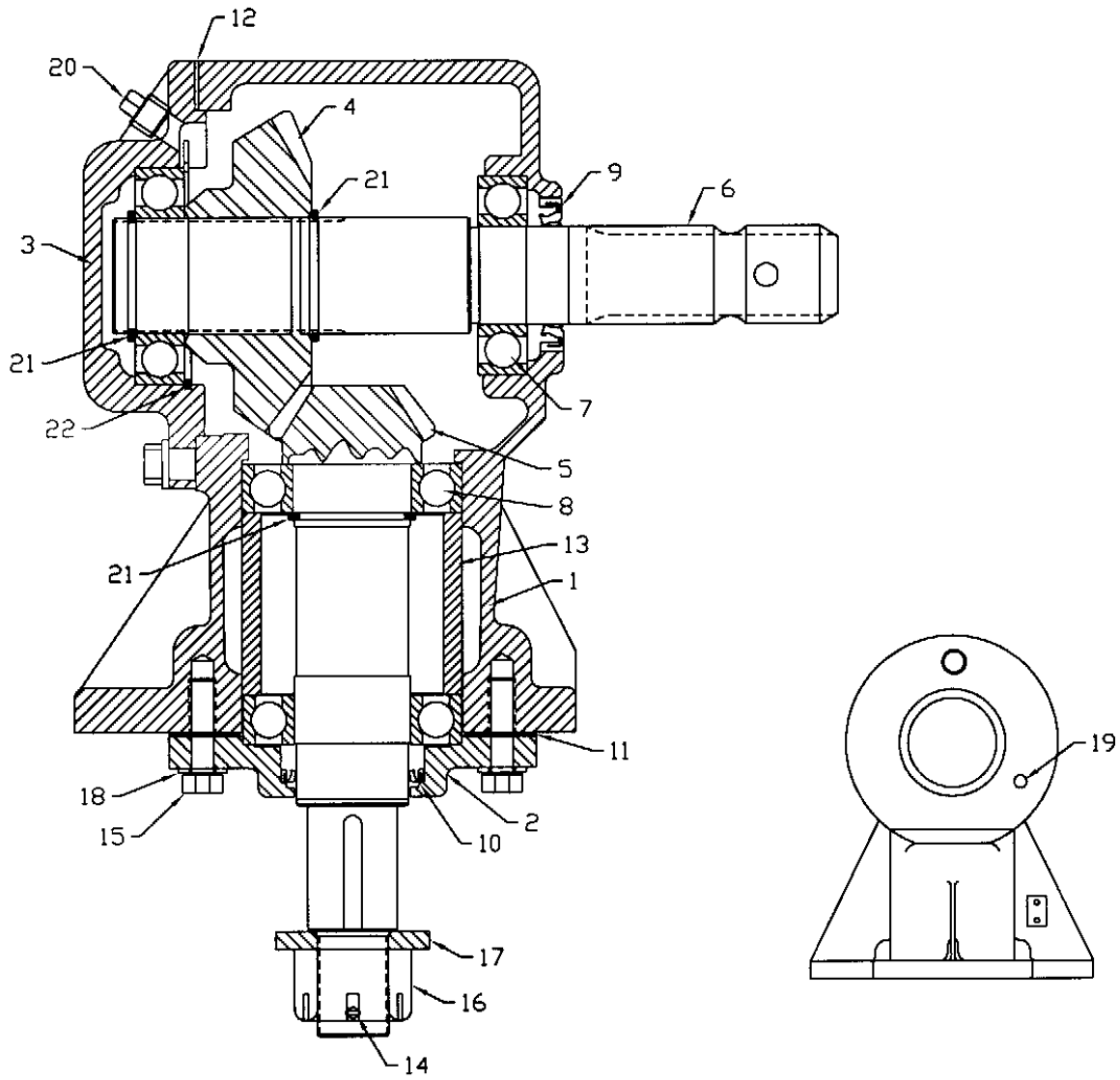
5', 6', & 7' REAR DISCHARGE FINISHING MOWER

ITEM	PART #	DESCRIPTION
1	902667	Deck Weldment (5')
	902668	Deck Weldment (6')
	902669	Deck Weldment (7')
2	912300158	Gearbox (Filled w/ Oil)
3	980004200	Gearbox Base Plate
4	906343	Gearbox Mount Plate
5	966748	PTO Guard
6	966283	56 1/2" Axle Beam Weldment (5')
	966284	58 1/2" Axle Beam Weldment (6')
	966857	70" Axle Beam Weldment (7')
7	906353	R.H. Pulley Guard (5')
	906355	R.H. Pulley Guard (6')
	902269	R.H. Pulley Guard (7')
8	906354	L.H. Pulley Guard (5')
	906356	L.H. Pulley Guard (6')
	902268	L.H. Pulley Guard (7')
9	966724	Roller Holder 10ga x 3 3/4" x 13 7/16" (5')
	966182	Roller Holder 7ga x 4" x 16 3/16" (6' & 7')
10	966723	Lift Bracket
11	904251	B-70 Belts (5')
	973506	B-78 Belts (6')
	973248	B-87 Belts (7')
12	966722	12" Double Sheave c/w Set Screws
13	966601	Lift Pin Bushing (1 1/4" O.D. x 9/16" long)
14	966727	Hitch Bushing (1" O.D. x 9/16" long)
15	966823	Lift Pin C/W Nut & Washer (XL) (Cat. 1)
16	965911	7/16" Linch Pin (1493)
17	900929	Pulley Key (1/4" sq x 1 5/8" long)
18	86170	3/8" x 1" Hex Bolt (pl)
19	86182	3/8" x 1 1/4" Carriage Bolt (pl)
20	84000	3/8" B.S. Flat Washer (pl)
21	81593	3/8" Lock Washer (pl)
22	81592	3/8" Hex Nut (pl)
23	84217	3/8" Wing Nut (pl)
24	964001	1"OD x 7/16" I.D. x 10ga Flat Washer (pl)
25	81628	1/2" x 3 1/4" Hex Bolt (pl)
26	81637	1/2" Lock Washer (pl)
27	81636	1/2" Hex Nut (pl)

28	812769	1 1/2" O.D. x 9/16" I.D. x 10ga Washer (pl)
29	84270	5/8" x 1 3/4" Hex Bolt (pl)
30	81677	5/8" Lock Washer (pl)
31	81676	5/8" Hex Nut (pl)
32	84346	3/4" x 2 1/2" Hex Bolt (pl)
33	81701	3/4" Lock Washer (pl)
34	81700	3/4" Hex Nut (pl)
35	9812377	5/16" x 3/4" Sq Head Set Screw (pl)
36	84277	1/2" x 1 1/2" Hex Bolt (pl)
37	812364	1/2" Lock Nut (pl)
38	906789	A-Frame 24" long
39	905247	1"ID Washer & Slotted Hex Nut Weldt Incl. w/ Gbox
40	965807	Top Link Pin (Cat. 1)
41	813529	5/8" Lock Nut (pl)
42	966719	21 3/4" Standard Blade (5')
	966738	25 3/4" Standard Blade (6')
	966167	29 3/4" Hard Surfaced Blade (7')
43	906791	Arm Spacer 1"OD x 4 1/8"
44	F0399	PTO Shaft (5' & 6')
	F0400	PTO Shaft (7')
45	904245	4 1/2" Single Sheave Assy (mach end up) (5' & 6')
	904247	5 1/4" Single Sheave Assy (mach end up) (7')
46	966811	Sheave Spacer 1 1/4" O.D. x .70" long
47	904246	4 1/2" Double Sheave c/w Set Screws (5' & 6')
	904248	5 1/4" Double Sheave c/w Set Screws (7')
48	912301558	1" Snap Ring
49	906339	Spindle w/ Hardware (5' & 6')
	966860	Spindle w/ Hardware (7')
50	966731	1/2" long x 1 5/16" O.D. Bushing (pl)
51	966730	1" long x 1 5/16" O.D. Bushing (pl)
52	967164	Pound-in Grease Nipple
53	966729	3/16" Linch Pin (pl)
54	966855	Wheel Yoke (5' & 6')
	966856	Wheel Yoke (7')
55	902614	3/4" x 6" Wheel Bolt (pl) (5' & 6')
	902615	3/4" x 7" Wheel Bolt (pl) (7')
56	812365	3/4" Lock Nut (pl)
57	81207	3/16" x 2" Cotter Pin (br)
58	966726	5/8" x 5 17/32" Roller Pin (5')
	966180	5/8" x 7 1/16" Roller Pin (6' & 7')

59	9812433	3/16" x 1 1/2" Cotter Pin (pl)
60	966721	Nylon End (5')
	966177	Nylon End (6' & 7')
61	966725	Roller Tube 3" O.D. x 4" long (5')
	966179	Roller Tube 4" O.D. x 5 3/8" long (6' & 7')
62	84299	5/8" x 2" Hex Bolt (pl)
63	906792	Arm Brace Weldt
64	81674	5/8" x 5 1/2" Hex Bolt (pl) (5' & 6')
	967901	5/8" x 5 3/4" Hex Bolt (pl) (7')
65	900931	1/4" Sq. x 1.11" Key
66	966188	2 1/2" O.D. x 21/32" I.D. Wash (Supp w/ Spndl)
67	966189	5/8" x 1 1/4" Gr. 8 Hex Bolt Lck (Supp w/ Spndl)
68	966190	5/8" Lock Washer (pl) Extra Heavy (Supp w/ Spndl)
69	966852	4.10 x 3.50-4 Tire with Wheel (5' & 6')
	966851	13/500 x 6" Tire with Wheel (7')
70	902656	Pivot Bar 38 1/2" long (5')
	902657	Pivot Bar 43 1/2" long (6')
	902666	Pivot Bar 48" long (7')
71	86171	3/8" x 1 1/4" Hex Bolt (pl)
72	900930	1/4" x 1 1/2" Key
73	967140	1" x 10ga Narrow Rim Washer (pl)
74	903488	Roller Holder 1/4" x 4 5/32" x 18 1/4" long
75	903104	Roller Pin 3/4" dia. X 8 3/4" long
76	903113	Front Roller Assembly
77	9812436	1/4" x 2 1/2" Cotter Pin (pl)
78	81545	1/4" Lock Washer (pl)
79	81544	1/4" Hex Nut (pl)
80	81525	1/4" x 3/4" Hex Bolt (pl)
81	967445	1/4" x 1 1/4" Cotter Pin (pl)
82	81678	5/8" BS Flat Washer Std (pl)

FINISHING MOWER GEARBOX

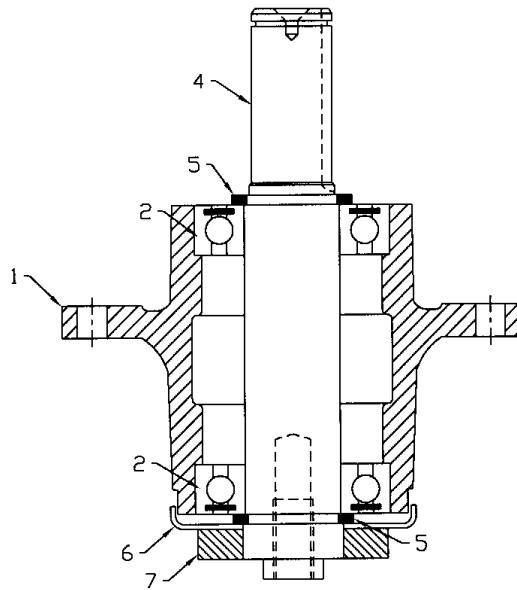
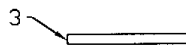
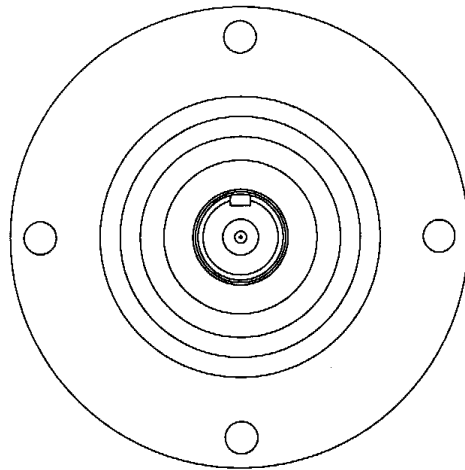


912300158

FINISHING MOWER GEARBOX PARTS LIST

Item #	Part #	Description
	912300158	Gearbox Complete
1	966813	Housing
2	914015	Output Cap
3	966814	Blank Cap
4	966815	Input Gear, 29T
5	966816	Pinion Gear, 15T
6	966817	Input Shaft
7	966542	Ball Bearing, 6207
8	966555	Ball Bearing, 6208
9	966818	Input Seal
10	966819	Output Seal
11	914019	Output Gasket
12	914007	Input Gasket
13	914001	Spacer
14	966562	Cotter Pin
15	86171	3/8" x 1 1/4" Hex Bolt
16	967217	1" NF Hex Nut
17	904028	Flat Washer
18	81593	3/8" Lock Washer
19	914016	1/8" Sq. Hd. Solid Plug
20	966193	1/4" Vented Plug
21	914008	Retaining Ring
22	914003	Retaining Ring

FINISHING MOWER SPINDLE ASSEMBLY



906339

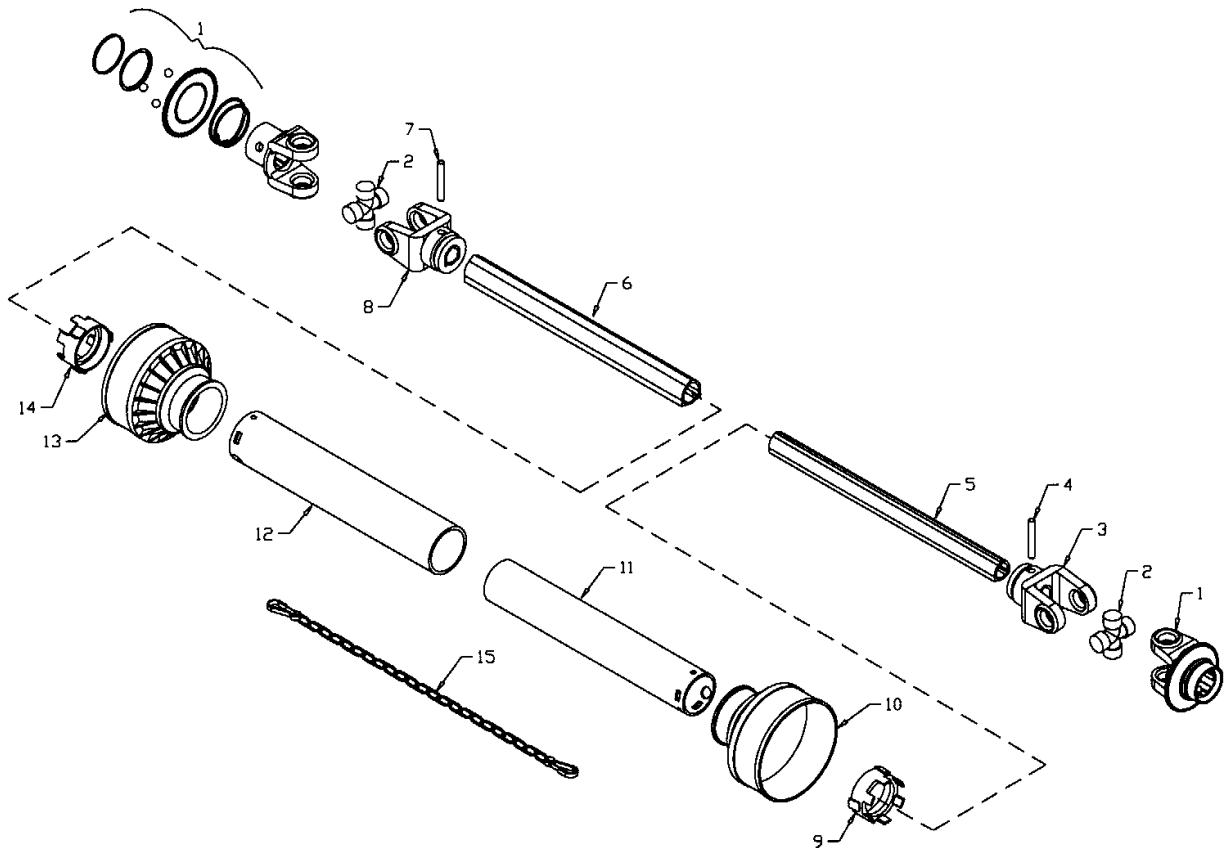
FINISHING MOWER SPINDLE PARTS LIST (4', 5' & 6')

Item #	Part #	Description
	906339	Spindle Assembly Complete (Includes Hardware)
1	966764	Spindle Housing
2	906399	Spindle Bearing, 6206-Z
3	912301558	Snap Ring
4	906394	Spindle Shaft
5	966769	Snap Ring
6	966820	Shield
7	966821	Blade Mount Base

FINISHING MOWER SPINDLE PARTS LIST (7')

Item #	Part #	Description
	966860	Spindle Assembly Complete (Includes Hardware)
1	966862	Spindle Housing
2	966863	Spindle Bearing (63067)
3	912301558	Snap Ring
4	906394	Spindle Shaft
5	966769	Snap Ring
6	966865	Shield
7	966821	Blade Mount Base

FINISHING MOWER PTO SHAFT (STANDARD & OPTIONAL HEAVY DUTY)



FM-06

FINISHING MOWER PTO SHAFT PARTS LIST

Item #	Part #	Description
	F0398	Shaft Complete - 4'
	F0399	Shaft Complete - 5' & 6'
	F0400	Shaft Complete - 7'
	F0401	Shaft Complete - Opt. HD for 5' & 6'
1	907288	Yoke - 4',5' & 6'
	907290	Yoke - 7' & HD
2	930-106	Repair Kit - 4',5' & 6'
	920-002	Repair Kit - 7' & HD
3	930-105	Outer Tube Yoke - 4', 5' & 6'
	920-004	Outer Tube Yoke - 7' & HD
4	930-109	Flexible Pin - 4', 5' & 6'
	920-006	Flexible Pin - 7' & HD
5	936298	Outer Cardan Tube - 4'
	930-108	Outer Cardan Tube - 5' & 6'
	936403	Outer Cardan Tube - 7'
	936404	Outer Cardan Tube - HD
6	936299	Inner Cardan Tube - 4'
	930-107	Inner Cardan Tube - 5' & 6'
	936405	Inner Cardan Tube - 7'
	936406	Inner Cardan Tube - HD
7	930-104	Flexible Pin - 4'
	930-109	Flexible Pin - 7' & HD
8	930-115	Inner Tube Yoke - 4', 5' & 6'
	920-003	Inner Tube Yoke - 7' & HD
9	930-110	Outer Shield Retainer - 4', 5', & 6'
	920-013	Outer Bearing - 7' & HD
10	936300	Outer Cone Set - 4', 5' & 6'
	920-017	Outer Cone Set - 7' & HD
11	936301	Outer Shield - 4'
	936302	Outer Shield - 5' & 6'
	936407	Outer Safety Tube - 7'
	936408	Outer Safety Tube - HD
12	936303	Inner Shield - 4'
	936304	Inner Shield - 5' & 6'
	936409	Inner Safety Tube - 7'
	936410	Inner Safety Tube - HD
13	936305	Inner Cone Set - 4', 5' & 6'
	920-014	Inner Cone Set - 7' & HD
14	930-113	Inner Shield Collar - 4', 5' & 6'
	920-015	Inner Shield Bearing - 7' & HD
15	936402	Safety Chain - All

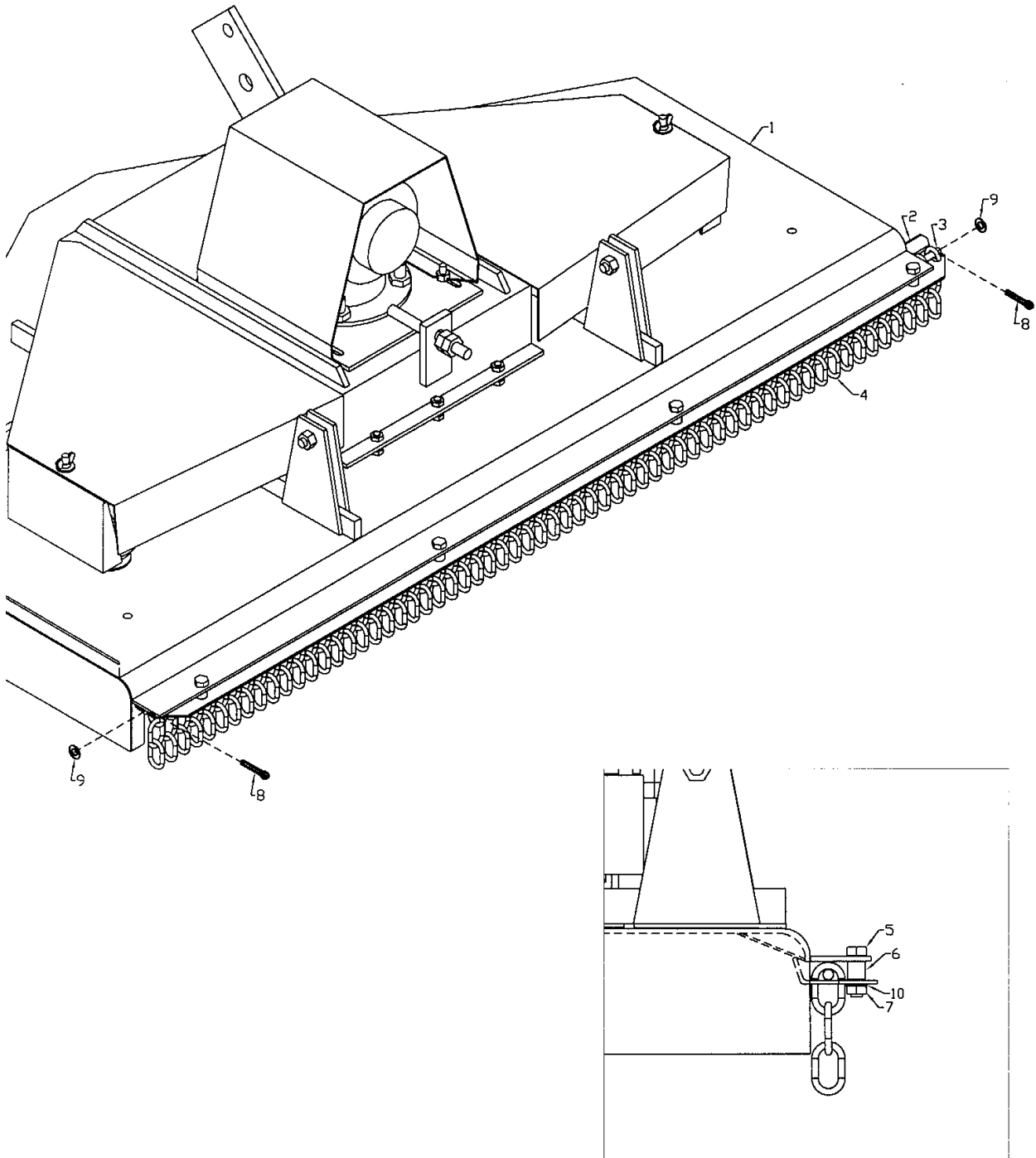
REAR DISCHARGE MOWER CHAIN KIT ASSEMBLY

1. Drill 13/32” holes in the back lip of the deck Weldment spaced as shown on the drawing. The hole spacing should be centered across the width of the back lip.
2. With the narrow lip of the chain guard plate (#2) turned up, push an end link of a 3-link chain up through the slot nearest the end of the guard place. The chain rod (#3) slides through the chain link along the top surface of the chain guard plate. Slide through each chain in order along the entire guard place. Slide a flat washer on each end of the rod. Hold the assembly in place with a 1/8” x 1” cotter pin (#8) at both ends of the rod.
3. A 5/8” long spacer (#6) fits between the guard plate and the rear lip on the deck. These spacers must be centered on the holes in the guard plate and the rear lip on the deck. With the spacers in place, position the chain guard assembly under the lip on the deck. Clamp on assembly to hold in place. Bolt guard plate assembly to the deck using 3/8” x 1 1/2” bolts, lock washers and hex nut.

Rear Discharge Finishing Mower Chain Kit

Item #	Part #	Description
1	903815	4' Deck Weldment
	902667	5' Deck Weldment
	902668	6' Deck Weldment
	902669	7' Deck Weldment
2	905166	50 1/4" Chain Guard Plate (4')
	902820	62 1/4" Chain Guard Plate (5')
	902823	74 1/4" Chain Guard Plate (6')
	902825	86 1/4" Chain Guard Plate (7')
3	905167	50 3/8" Lg Chain Kit Rod (4')
	902827	62 3/8" Lg Chain Kit Rod (5')
	902828	74 3/8" Lg Chain Kit Rod (6')
	902829	86 3/8" Lg Chain Kit Rod (7')
4	967907	1/4" X 3 Link Chain PI
5	811792	3/8" X 1 1/2" Hex Bolt (pl)
6	902821	Spacer 5/8" OD X 12Ga X 5/8" Lg
7	81592	3/8" Hex Nut (pl)
8	9812430	1/8" X 1" Cotter Pin (pl)
9	84039	3/8" SAE Washer (pl)
10	81593	3/8" Lock Washer (pl)

MOWER CHAIN KIT ASSEMBLY



FM-05

FINISHING MOWER BUNDLES

QUANTITY BUNDLE NO. DESCRIPTION

48" SIDE DISCHARGE FINISHING MOWER Y450S

1	F0391	Mower
1	F6568	Carton w/tires

60" SIDE DISCHARGE FINISHING MOWER Y550S

1	F0392	Mower
1	F6568	Carton w/tires

72" SIDE DISCHARGE FINISHING MOWER Y650S

1	F0393	Mower
1	F6568	Carton w/tires

48" REAR DISCHARGE FINISHING MOWER Y450R

1	F0394	Mower
1	F6568	Carton w/tires

60" REAR DISCHARGE FINISHING MOWER Y550R

1	F0395	Mower
1	F6568	Carton w/tires

72" REAR DISCHARGE FINISHING MOWER Y650R

1	F0396	Mower
1	F6568	Carton w/tires

84" REAR DISCHARGE FINISHING MOWER Y750R

1	F6569	Carton w/tires
1	F0397	Mower

FINISHING MOWER BUNDLES – cont'd.**OPTIONS:**

F9490	Heavy Duty PTO Shaft (5' & 6')
903798	Hard Surfaced Blade (4')
966273	Hard Surfaced Blade (5')
966274	Hard Surfaced Blade (6')
906050	Low Lift Hard Surfaced Blade (4')
906051	Low Lift Hard Surfaced Blade (5')
906052	Low Lift Hard Surfaced Blade (6')
906053	Low Lift Hard Surfaced Blade (7')
F6589	Solid Rubber Tires (4', 5' & 6')
F9459	UHMW High Density Poly Roller Assembly
Y410	Chain Kit (4')
Y510	Chain Kit (5')
Y610	Chain Kit (6')
Y710	Chain Kit (7')