

**TABLE OF CONTENTS**

<b>DESCRIPTION</b>	<b>PAGE</b>
Warranty .....	1
General Safety.....	2
Assembly .....	2
Mounting .....	3
Operation .....	3
Adjustment.....	3
Drawing .....	4
Parts List .....	5
Bundle Numbers.....	7

## **WARRANTY REGISTRATION AND POLICY**

Buhler Manufacturing products are warranted for a period of twelve (12) months from original date of purchase, by original purchaser, to be free from defects in material and workmanship under correct, normal agricultural use and proper applications.

Buhler Manufacturing's obligations under this warranty shall be limited to the repair or exchange, at Buhler Manufacturing's option, of any Buhler Manufacturing product or part which proves to be defective as provided. Buhler Manufacturing reserves the right to either inspect the product at the buyer's location or have it returned to the factory for inspection.

The above warranty does not extend to goods damaged or subject to accident, abuse or misuse after shipment from Buhler Manufacturing's factory, nor to goods altered or repaired by anyone other than an authorized Buhler Manufacturing representative.

Buhler Manufacturing makes no Express Warranties other than those, which are specifically described. Any description of goods, including any references and specifications in catalogues, circulars and other written material published, is for the sole purpose of identifying goods and shall conform to such descriptions. Any sample or model is for illustrative purposes only and does not create an Express Warranty that the goods conform to sample or model shown.

The purchaser is solely responsible for determining suitability of goods sold. This warranty is expressly in lieu of all other warranties expressed or implied. Buhler Manufacturing will in no event be liable for any incidental or consequential damages whatsoever. Nor for any sum in excess of the price received for the goods for which liability is claimed.

### **WARRANTY CLAIMS:**

Warranty requests must be prepared on Buhler Manufacturing Warranty Claim Forms with all requested information properly completed. Warranty Claims must be submitted within a thirty (30) day period from date of failure repair.

### **WARRANTY LABOR:**

Any labor subject to warranty **must** be authorized by Buhler Manufacturing. The labor rate for replacing defective parts, where applicable, will be credited at a rate determined by the Company, Buhler Manufacturing.

### **IMPORTANT FACTS:**

**Buckets and Bucket Tines Carry No Warranty**

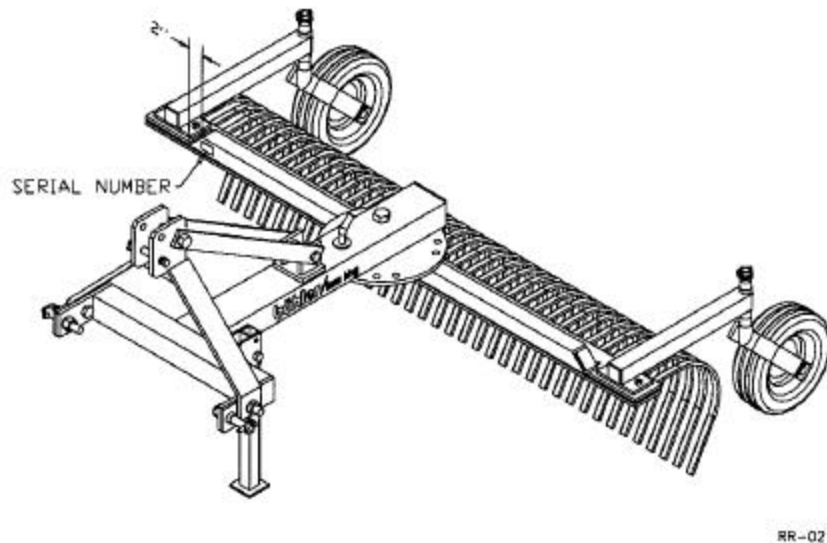
**Bent Spears Carry No Warranty**

**Snowblower Fan Shafts Carry No Warranty**

**Mower Blades Carry No Warranty**

**Portable Auger Parts Have Two (2) Year Warranty**

**LAND RAKE**



**GENERAL SAFETY:**

1. Stop engine, set brake and remove ignition key before:
  - connecting or disconnecting land rake.
  - servicing or making adjustments.
2. Securely block land rake in the up position before working beneath unit.
3. Do not allow riders.
4. Clear the area of people and foreign objects before starting the tractor.
5. Use hazard warning lights and a SMV sign when transporting.

**ASSEMBLY:**

1. Assemble the hitch (#1) and hitch brace (#2) on the t-frame using hardware supplied as shown in drawing.
2. The land rake frame is mounted on the t-frame with a 1" x 5" bolt (#17) on which the frame turns. The turntable pin (#8) locks the rake in place at the desired angle.

**MOUNTING:**

1. Park on a dry level area clear of debris.
2. Stop engine and set brake after lowering the three point arms so they line up with the mounting pins on the blade.
3. Mount the lower lift pins first and then adjust the rake angle using the turnbuckle on the top link. Check that all the clips holding on the three point pins are securely in place.
4. The land rake is designed to be used on tractors with up to 35 horsepower with a category 1 3-point hitch.

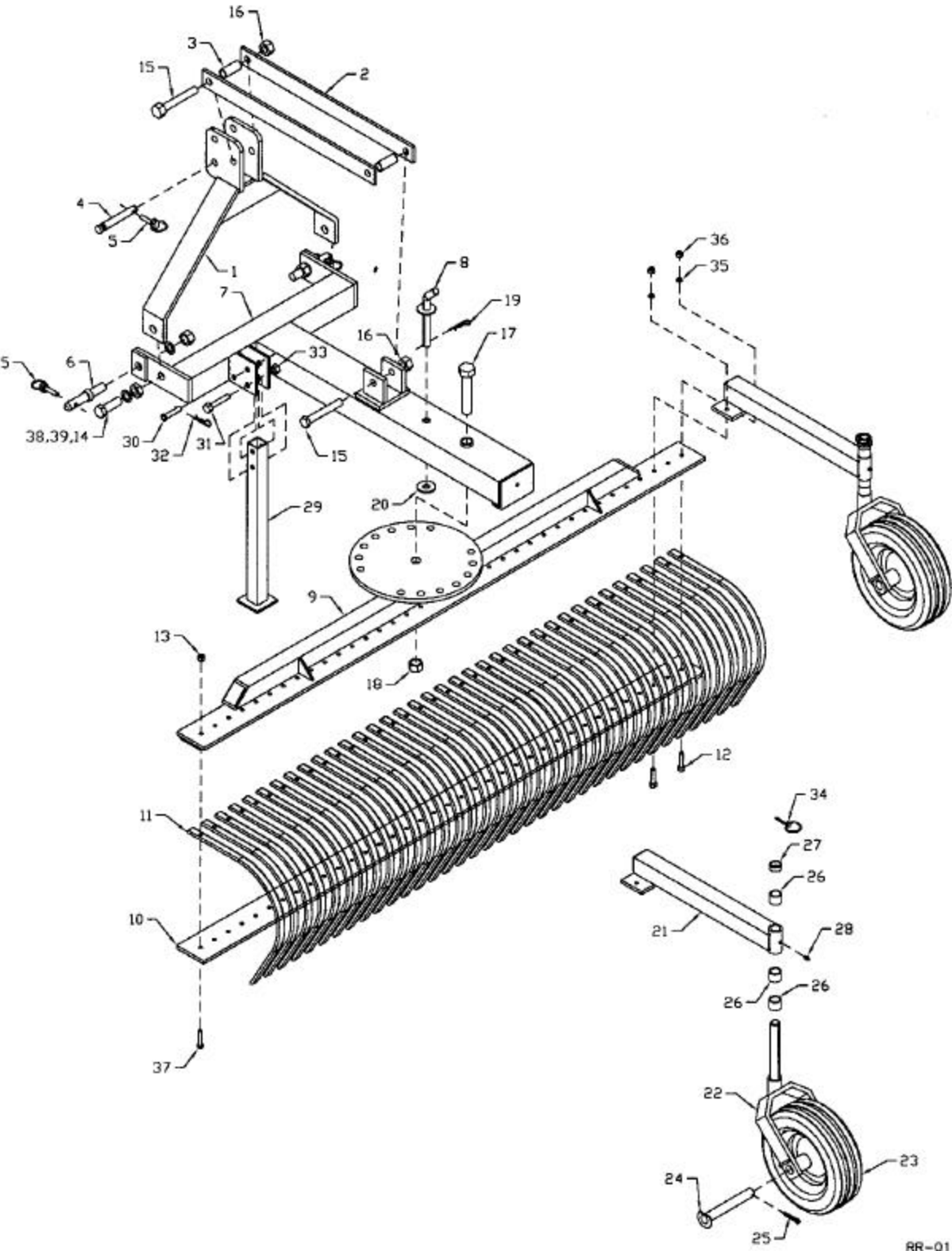
**OPERATION:**

1. Clear the area of bystanders and foreign objects before starting.
2. Use the float position on the three-point control to follow the contour of the ground. The weight of the blade will keep it down.
3. Maintain a speed that allows you to maintain control of your machine.
4. The 1" wide spring steel tines (#11) clear off unwanted material and prepare an ideal seedbed ready to accept small seeds or sod. It is also ideal for spreading and leveling crushed stone and other landscaping materials and can be used to maintain beaches and recreational areas.
5. The rakes are adjustable to seven angles.

**ADJUSTMENT:**

To change the angle of the rake, proceed in the following way:

1. Raise the rake off the ground.
2. Remove hair pin clip (#19) and the turntable pin (#8).
3. Grab one end of the rake and move it to the desired angle.
4. Install turntable pin and hair pin clip.



RR-01

**WHEN ORDERING PARTS**

Always give your dealer the Model, Color and Serial Number of your machine to assist him in ordering and obtaining the correct parts. Use the exploded view and tabular listing of the area of interest to exactly identify the required part.

**LAND RAKE PARTS LIST**

<b>ITEM</b>	<b>PART #</b>	<b>DESCRIPTION</b>
1	F0351	Hitch Weldment
2	906768	Hitch Brace
3	906770	Spacer 1" O.D. x 2 1/4" Long
4	965807	Top Link Pin Cat. 1
5	965911	7/16" Linch Pin
6	965809	Lift Arm Pin W/Nut & Washer Cat. 1
7	906767	T-Frame Weldment
8	967535	Turntable Pin
9	967564	60" Frame
	967565	72" Frame
	967566	84" Frame
	967567	96" Frame
10	967568	60" Cross Bar
	967569	72" Cross Bar
	967570	84" Cross Bar
	967571	96" Cross Bar
11	967572	Tines 5/16" x 1" x 15"
12	811795	3/8" x 2" Hex Bolt (pl) 4/Gauge Wheel
13	812363	3/8" Lock Nut (pl)
14	81722	7/8" Hex Nut (pl)
15	811751	3/4" x 5" Hex Bolt (pl)
16	812365	3/4" Lock Nut (pl)
17	967527	1" x 5" Hex Bolt (pl)
18	967148	1" Lock Nut (pl)
19	12779	#9 Hair Pin Clip
20	84050	3/4" S.A.E. Flat Washer (pl)
21	967582	Arm Weldment
22	967583	Gauge Wheel Weldment
23	967138	12" x 1" Bore Solid Rubber Tire
24	967584	1" x 7" Yoke Pin (Cut Off Head)
25	81209	1/4" x 1 1/2" Cotter Pin (pl)
26	966730	1" x 1 5/16" O.D. Bushing (pl)
27	966731	1/2" x 1 5/16" O.D. Bushing (pl)
28	967164	Pound-in Grease Nipple
29	902277	Stand
30	901435	1/2" x 2 1/2" Clevis Pin (pl)

31	81626	1/2" x 2 3/4" Hex Bolt NC (pl)
32	961012	Hair Pin Clip #16
33	812364	1/2" Lock Nut (pl)
34	966729	3/16" Linch Pin (pl)
35	81593	3/8" Lock Washer (pl)
36	81592	3/8" Hex Nut (pl)
37	81578	3/8" x 1 3/4" Hex Bolt (pl)
38	966527	7/8" x 2 1/2" Hex Bolt (pl)
39	81723	7/8" Lock Washer (pl)

**LAND RAKE BUNDLES****QUANTITY BUNDLE NO. DESCRIPTION****Y60RR 60" LAND RAKE**

1	F0351	Hitch
1	F0362	T-Frame
1	F6557	Cross Bar
1	F0364	Carton of Parts

**Y72RR 72" LAND RAKE**

1	F0351	Hitch
1	F0362	T-Frame
1	F6558	Cross Bar
1	F0364	Carton of Parts

**Y84RR 84" LAND RAKE**

1	F0351	Hitch
1	F0362	T-Frame
1	F6559	Cross Bar
1	F0364	Carton of Parts

**Y96RR 96" LAND RAKE**

1	F0351	Hitch
1	F0362	T-Frame
1	F6560	Cross Bar
1	F0364	Carton of Parts

**OPTIONS:**

YRR1	Gauge Wheel Set
------	-----------------