

Farm King

OPERATOR AND PARTS MANUAL

Snowblower

Models 500 & 600

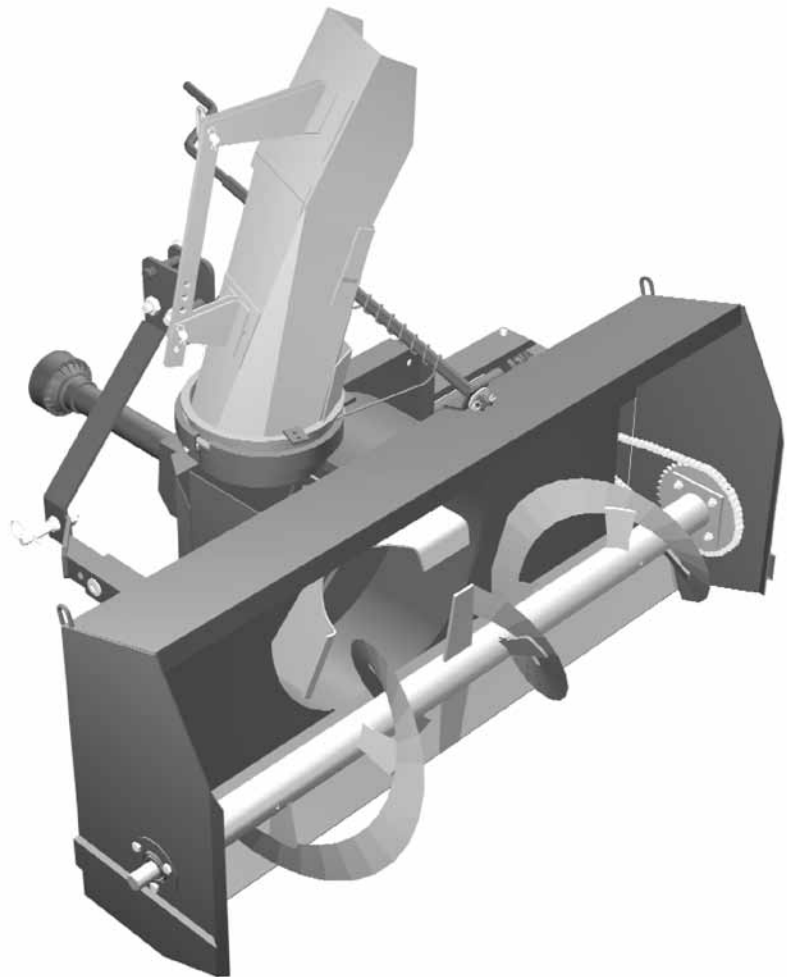


Table of Contents

Introduction4

Safety.....5

- Safety5
- General Safety.....6
- Start-up Safety6
- Operation Safety6
- Transport Safety7
- Service and Maintenance Safety7
- Storage Safety7
- Safety Signs8
- Safety Sign Installation8

Assembly.....9

- Assembly Instructions9

Operation 11

- Theory of Operation 12

Bolt Torque 13

- Checking Bolt Torque 13

Parts Drawings..... 14

- Snowblower Drawings 14
- Snowblower Parts List..... 16
- Snowblower PTO Drawing.....20
- Snowblower PTO Parts List.....21
- Cylinder Drawing & Parts List.....22

Shipping Kit and Bundle Numbers23

Warranty24

Manufacturer’s statement: for technical reasons Buhler Industries Inc. reserves the right to modify machinery design and specifications provided herein without any preliminary notice. Information provided herein is of descriptive nature. Performance quality may depend on soil fertility, applied agricultural techniques, weather conditions and other factors.

Introduction

Farm King has years of snowblower manufacturing expertise and thousands of acreages, farms and cities depend on Farm King snowblowers.

PTO-driven Farm King snowblowers will mount to a tractor with a Category 1 3-point hitch or Category 1 Quick Hitch. You can attach your snowblower to the Quick Hitch from your tractor seat with ease, speed and safety. These models have open gearboxes. Adjustable cup type skid shoes are standard on all models.

Shear bolt protection is provided at the sprocket to the main auger, and is easily accessed by removing wing nuts and cover at the back of the housing.

A hitch system, which is quick-hitch compatible, is standard on all models. A length-adjustable hitch is standard on all models.

Also available is an optional Hydraulic Spout Control. There is a shear bolt on the auger and on the PTO shaft to protect the machine from damage if a large object is picked up. Any smaller objects in the snow will be thrown with it and could cause serious injury. Do not allow anyone to stand behind the tractor or in the area of the discharged snow.

Keep this manual handy for frequent reference. All new operators or owners must review the manual before using the equipment and at least annually thereafter. Contact your Farm King Dealer if you need assistance, information, or additional copies of the manual. Visit our website at www.buhlerindustries.com for a complete list of dealers in your area.

The directions left, right, front and rear, as mentioned throughout this manual, are as seen facing in the direction of travel of the implement.

Safety

Safety Instructions

Remember, YOU are the key to safety. Good safety practices not only protect you, but also the people around you. Make these practices a working part of your safety program. Be certain that everyone operating this equipment is familiar with the recommended operating and maintenance procedures and follows all the safety precautions. Most accidents can be prevented. Do not risk injury or death by ignoring good safety practices.

The alert symbol is used throughout this manual. It indicates attention is required and identifies hazards. Follow the recommended precautions.



The safety alert symbol means...
ATTENTION! BECOME ALERT! YOUR SAFETY IS INVOLVED!



CAUTION

The caution symbol indicates a potentially hazardous situation that, if not avoided, may result in minor or moderate injury. It may also be used to alert against unsafe practices.



WARNING

The Warning Symbol indicates a potentially hazardous situation that, if not avoided, could result in death or serious injury, and includes hazards that are exposed when guards are removed. It may also be used to alert against unsafe practices.



DANGER

The Danger Symbol indicates an imminently hazardous situation that, if not avoided will result in death or serious injury. This signal word is to be limited to the most extreme situations, typically for machine components that, for functional purposes, cannot be guarded.

General Safety Instructions

- Have a first-aid kit available for use and know how to use it.
- Have a fire extinguisher available, stored in a highly visible location, and know how to use it.
- Wear appropriate protective gear. This list may include but is not limited to:
 - hard hat
 - protective shoes with slip resistant soles
 - protective glasses or goggles
 - heavy gloves
 - wet weather gear
 - hearing protection
 - respirator or filter mask
- Read and understand the Operator's Manual and all safety signs before operating, servicing, adjusting, repairing, or unplugging the equipment.
- Do not attempt any unauthorized modifications to your Farm King product as this could affect function or safety, and could affect the life of the equipment.
- Never start or operate the snowblower except from the operator's station on the power unit.
- Inspect and clean the working area before operating.
- Keep hands, feet, clothing, and hair away from moving parts.
- Ensure bystanders are clear of the area before operating.

Start-Up Safety

- Do not let inexperienced operators or children run this equipment.
- Place all tractor and machine controls in neutral before starting.
- Operate only with ROPS and seatbelt equipped tractors.
- Do not operate inside a building unless there is adequate ventilation.
- Ensure all shields are in place and in good condition before operating.
- Stay clear of PTO shaft and machine when engaging PTO.

Operation Safety

- Do not permit riders.
- Do not wear loose fitting clothing during operation.
- Do not allow anyone other than the operator close to the Auger when in operation.
- Stay clear of snowblower augers.
- Stay clear of snowblower discharge chute. Rocks or debris can be picked up and thrown.
- Never operate over 540 PTO rpm speed.

Transport Safety

- Review Transport Safety instructions in tractor manual before moving.
- Check with local authorities regarding transport on public roads. Obey all applicable laws and regulations.
- Make sure the SMV (Slow Moving Vehicle) emblem and all the lights and reflectors that are required by the local highway and transport authorities are in place, are clean, and can be seen clearly by all overtaking and oncoming traffic.
- Never have the equipment in operation during transport.
- Always travel at a safe speed.

Service and Maintenance Safety

- Stop engine, set brake, remove ignition key, and wait for all moving parts to stop before servicing, adjusting, repairing, or unplugging.
- Support the equipment with blocks or safety stands before working beneath it.
- Follow good shop practices including:
 - keep service area clean and dry
 - be sure electrical outlets and tools are properly grounded
 - use adequate light for the job.
- Use only tools, jacks, and hoists of sufficient capacity for the job.
- Replace and secure all shields removed during servicing before operating.
- Use heavy leather gloves to handle sharp objects.
- Check hydraulics regularly for leaks. Use cardboard to look for leaks, and use hand and eye protection.
- Relieve pressure on hydraulic system before repairing or adjusting.

Storage Safety

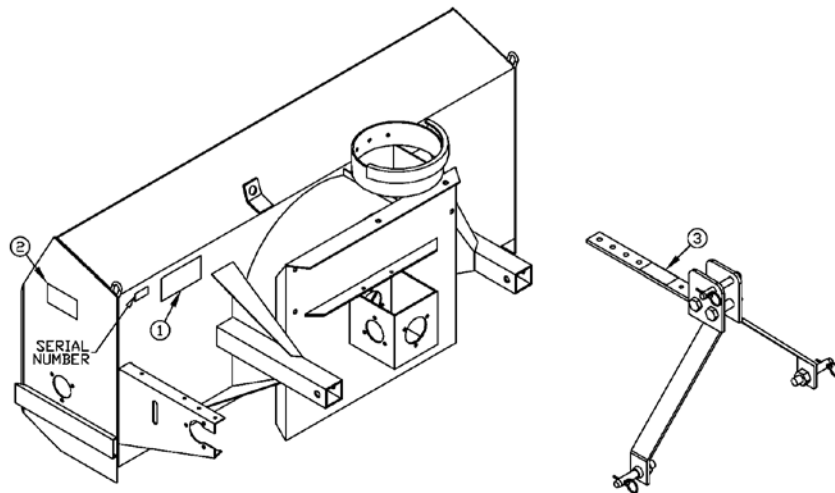
- Store the unit in an area away from human activity.
- Do not permit children to play on or around the stored machine.
- Support the frame on stands and blocks to provide a secure base.

Safety Signs

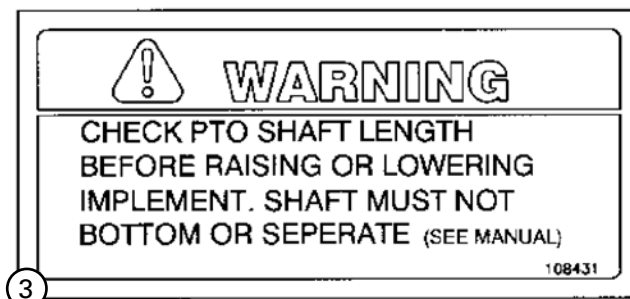
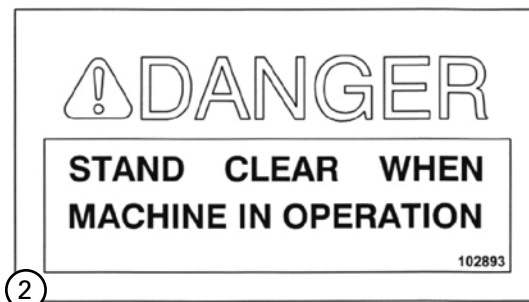
- The following illustration shows the approximate location and detail of safety signs.
- Keep all safety signs clean and legible and replace any that are damaged or missing.
- When original parts are replaced, any safety signs affixed to those parts should be replaced as well. Replacement safety signs are available from your local dealer.

Installation

- To install safety signs, ensure the installation area is clean and dry. Decide on the exact position before you remove the backing paper. Remove the smallest portion of the split backing paper and align over the specified area. Carefully press in place.
- Slowly peel back the remaining paper and smooth the remaining portion in place. Small air pockets can be pierced with a pin and smoothed out.
- Replace safety signs immediately should they become damaged, torn or illegible. Obtain replacements from your authorized dealer using the part numbers shown.



SB-04



Assembly Instructions

1. Mount the discharge spout (#2) using the spout clamp (#3) bolted to the spout ring on the snowblower. Lubricate the spout ring and clamp. **NOTE:** A hydraulic cylinder and hose kit to control the spout deflector is available as an option.
2. Hitch Assembly: With right and left hitch tubes (#5 & #6) turned as shown in drawing, slide them into the sleeve welded to the main body. These tubes are adjustable to four different positions. The correct position for each individual tractor will be determined when mounting the snowblower on the tractor. These tubes are connected to the snowblower with a 3/4" x 3 1/4" pin (#11) and a hair pin clip (#12). Bolt the left (#83) and the right (#84) hitch arms to the outside of the clevises on the hitch tubes using the lift pins (#9). **NOTE:** Pins should be turned to the outside. Do not tighten any hardware until assembly is complete. Join the top of the hitch arms by bolting a 1" O.D. x 2 1/4" spacer (#4) between the top plates using a 3/4" x 4" bolt and lock nut through the lower outside holes. Bolt the hitch top bar (#85) between the same plates using the same bolt through the welded tube on the bar. Use the inside holes on the top plates for the top bar. The other end of the hitch top bar bolts to the top of the blower fan housing with a 1/2" x 1-3/4" hex bolt, lock washer and hex nut. Use the same hole position as the hitch tubes. Tighten all hardware.

A Category 1 top link pin (#8) is fitted in the top holes of the hitch arm plates. This pin is used for standard three-point hitch only. The bushing in the lower holes is used for the Quick Hitch.

3. Hand Crank Assembly: (Standard)
 - Bolt the crank mounting bracket (#16) to the top of the hitch using 3/8" x 1-1/4" hex bolts, lock washers and hex nuts.
 - Insert the crank handle (#15) through the mount and through the bracket welded to the main housing. Lock the crank in place using a washer and roll pin on each side of the bracket.
 - Thread the cable (#17) through the hole in the crank tube to even lengths and wrap around the tube to each side of the hole four turns in opposite directions.
 - With the spout turned forward, fasten the cable to the bracket welded to the bottom of the spout using a 1/4" cable clamp (#70).
4. Hydraulic Control Assembly: (Option)
 - Bolt the hydraulic swivel assembly (#21) to the back of the fan housing on the left side using 1/2" x 1-1/4" hex bolts, lock washers and hex nuts.
 - Bolt the cylinder mounting bracket (#23) to the back of the fan housing on the right side using the same size hex bolts.
 - Turn the spout forward and the center of the swivel arm in line with the spout center. With the spout and swivel arm in this position, wrap the cable (#22) around the spout and clamp to both ends of the swivel arm and to the bracket welded to the bottom of the spout using 3/16" cable clamps (#20).
 - Use a standard 8" stroke cylinder (20-1/4" min., 28-1/4" max. pin centers).

5. Mounting Snowblower on Tractor:

- Mount the snowblower on a tractor with a Category 1 hitch.
- Using tape or a bright colored marking pen, mark on the outer shield the position where the shaft is completely pushed together and the position where you have a 4" overlap. Watch these marks when moving the blower through all possible operating angles to see that the PTO shaft stays within this range.
- With the tractor engine shut off, attach the PTO shaft. The tractor end has a standard 6-spline end with a spring loaded locking collar. The snowblower end has a clamp-style yoke with a 1/4" key way. Slide the yoke onto the gearbox shaft with the 1/4" key supplied. Lock the yoke in place with the 1/2" x 3" hex bolt and lock nut fitted through the groove in the gearbox shaft. After tightening the bolt, insert and tighten the 3/8" socket set screw supplied.



CAUTION

Always check to see that both ends of the PTO shaft are securely attached every time the snowblower is used. This should always be done with the tractor engine off.

- Check that the PTO shaft does not bottom out or separate with the snowblower in the extreme high and low positions. Check to see which of the four different hitch positions will allow you to keep about a 4" minimum overlap on the PTO shields without bottoming out. This position varies between different tractor models because of the different lengths of the three-point arms. If the PTO shaft is still too long with the hitch fully extended, the PTO shaft will have to be cut shorter. Check for free movement of all parts in various raised positions, particularly the PTO shaft.

6. PTO Shield:

- All snowblowers manufactured for the 1990 production and up are supplied with a PTO shield. The PTO shield (#65) bolts to the gearbox assembly using 1/4" x 3/4" hex bolts. Hook one end of the spring (#66) in the hole in the back edge of the PTO shield and the other end of the spring in the hole punched in the edge of the gearbox assembly.



CAUTION

Do not run the snowblower without the PTO shield in place.

Operation Instructions

1. Do not operate the snowblower in the fully raised position. The 3-point hitch on some tractors raises high enough to cause the PTO shaft to bind. This can cause damage to the PTO shaft and/or to the hitch and pins. **NOTE:** PTO shaft angle should not exceed 20° for optimum performance and life. Damage may occur to PTO and/or snowblower if angle becomes more extreme.
2. Depth of cut can be partially controlled by tilting the blower forward or backward. Adjust the top link of the tractor hitch so the snowblower is just slightly tilted back when resting on the ground.



ALERT

Excessive backward tilt may cause the "U" joints to flutter resulting in PTO shear bolt failure.

3. Adjust the lower link sway chains or blocks on the tractor to restrict side movement of the snowblower when operating.
4. Run the snowblower at low rpm to check operation before blowing snow.
5. The snowblower has two shear bolts to protect the tractor and snowblower in case a large object enters the snowblower. PTO shear bolts - #500 – one 3/8" x 1" (gr.8), #600 - two 5/16" x 1" (gr. 8), auger shear bolt – 1/4" x 1" (gr.2). Shear bolts should be fastened with a lock nut or two jam nuts. These bolts must be kept tight to prevent wear of the bolt and bolt holes.
6. Never run PTO shaft over 600 rpm.
7. Chain Tension: Slack on the lower side of the chain should be 3/8" to 1/2"
8. Lubrication:
 - The spout clamps and rings should be periodically lubricated with gun grease.
 - PTO shaft universal joints and square shaft slide should be greased daily.
 - PTO shear yoke should be greased before using the snowblower for the first time.
 - Regularly oiling the chain will significantly increase the life of the chain.
 - Gearbox is open type and need not be greased or lubricated.
 - Hydraulic spout option – grease the swivel arm.
9. Periodically check all bolts for tightness. The bolt holding on the fan and the bearing bolts are of particular importance.



DANGER

Always stop snowblower for servicing or unplugging. The PTO should be disengaged before dismounting from the tractor.

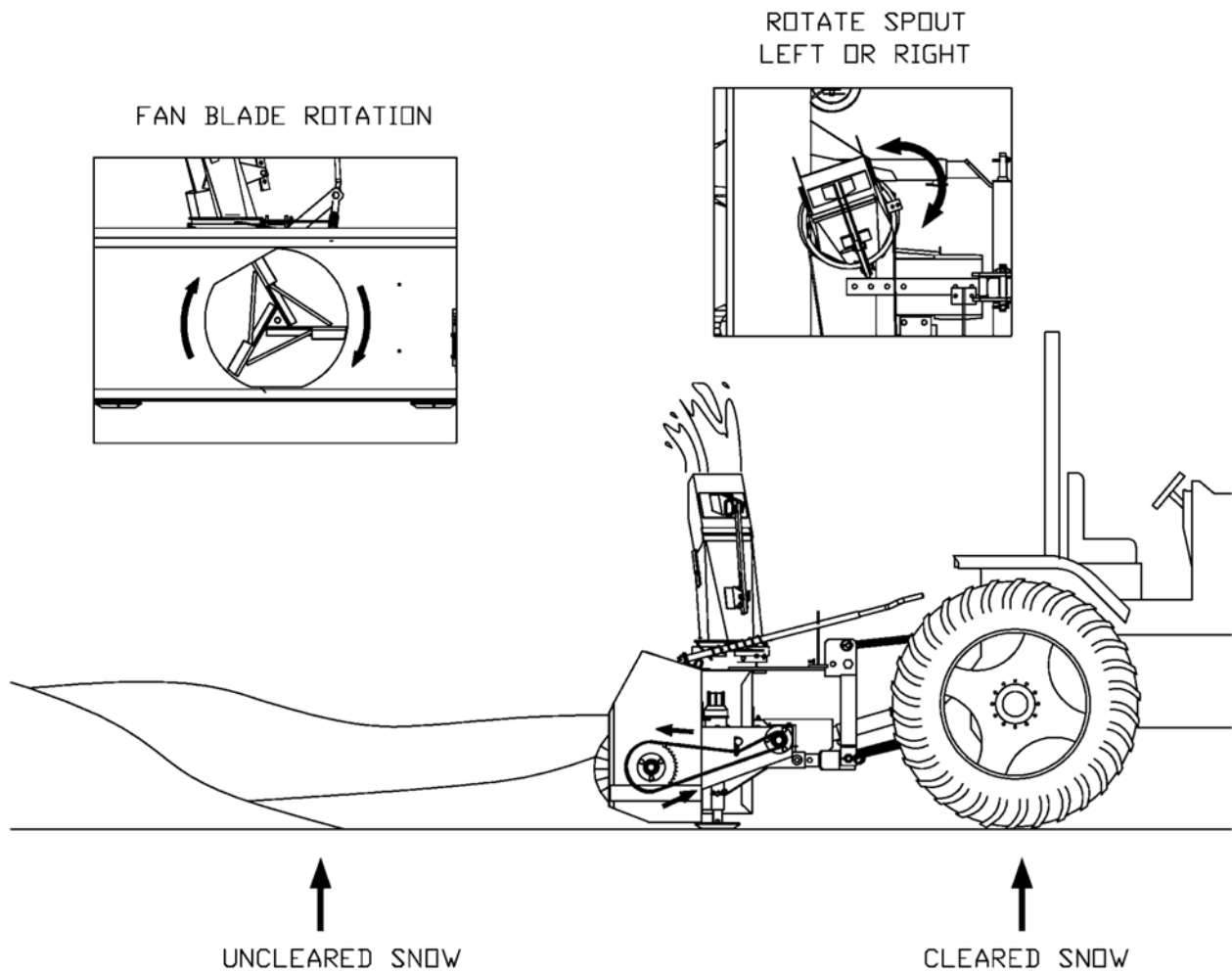


CAUTION

Always check to see that both ends of the PTO shaft are securely attached as per instructions every time you are preparing to use the snowblower.

10. When replacing bearings or tightening a loose bearing collar, always tighten collar in the direction of shaft rotation using a center punch or a similar tool.
11. Shear Sprocket: The shear sprocket (#43) should be checked at the beginning of every season to make sure it will spin freely. With time the sprocket plate could corrode and seize which will not allow the shear bolt to break if something jams in the snowblower auger. Clean to loosen if necessary.

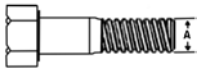



Theory of Operation



Bolt Torque

Checking Bolt Torque

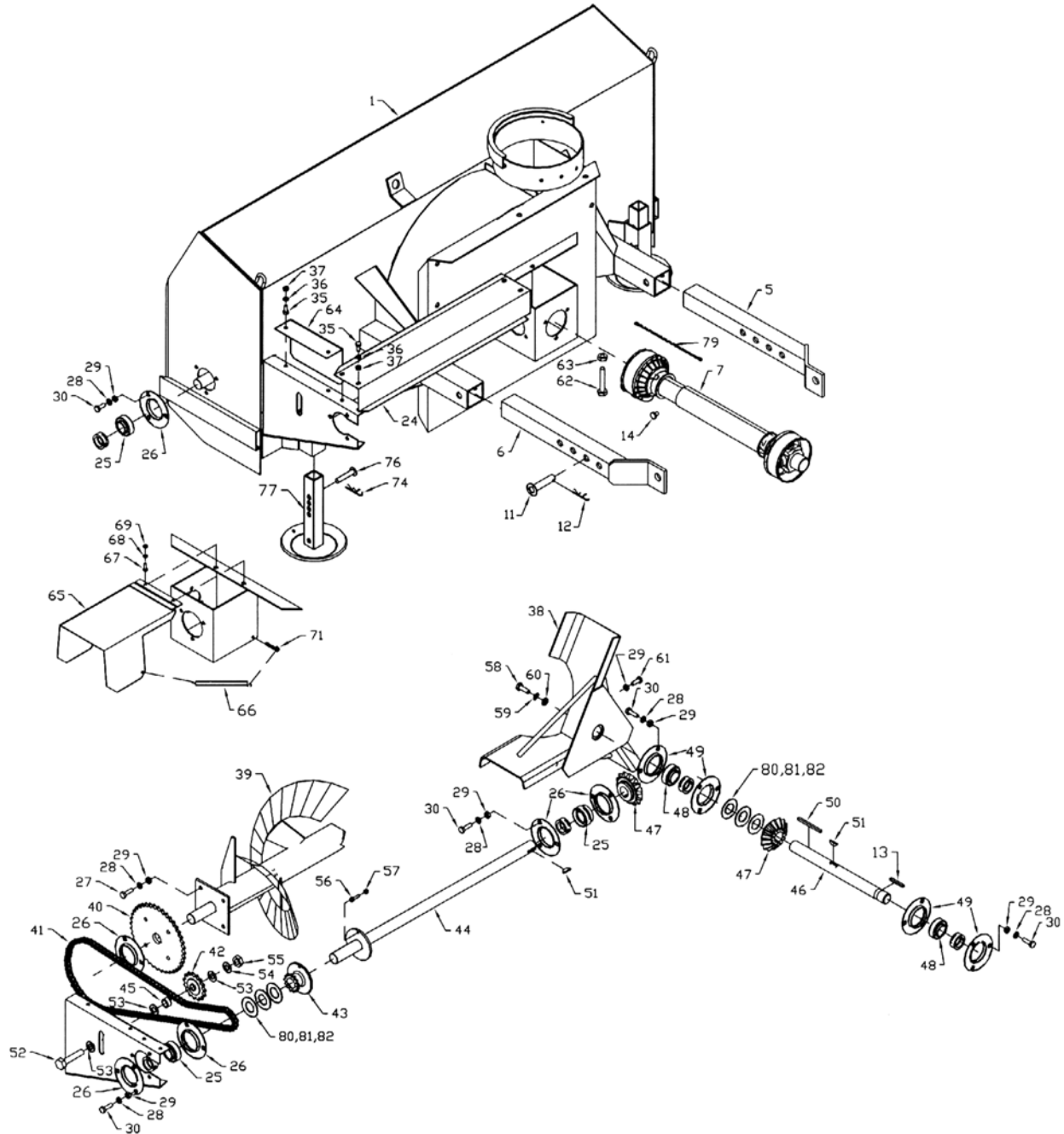
The tables shown below give correct torque values for various bolts and hex bolts. Tighten all bolts to the torques specified in chart unless otherwise noted. Check tightness of bolts periodically, using bolt torque chart as a guide. Replace hardware with the same strength bolt.

Bolt Torque*						
						
Bolt Diameter	Grade 2 Bolts		Grade 5 Bolts		Grade 8 Bolts	
(inches)	SAE 2		SAE 5		SAE 8	
"A"	(lb-ft)	(N.m)	(lb-ft)	(N.m)	(lb-ft)	(N.m)
0.25 (1/4)	6	8	9	12	12	17
0.313 (5/16)	10	13	19	25	27	36
0.375 (3/8)	20	27	33	45	45	63
0.438 (7/16)	30	42	53	72	75	100
0.5 (1/2)	45	61	80	110	115	155
0.563 (9/16)	70	95	115	155	165	220
0.625 (5/8)	95	128	160	215	220	305
.75 (3/4)	165	225	290	390	400	540
0.875 (7/8)	170	230	420	570	650	880
1	225	345	630	850	970	1320

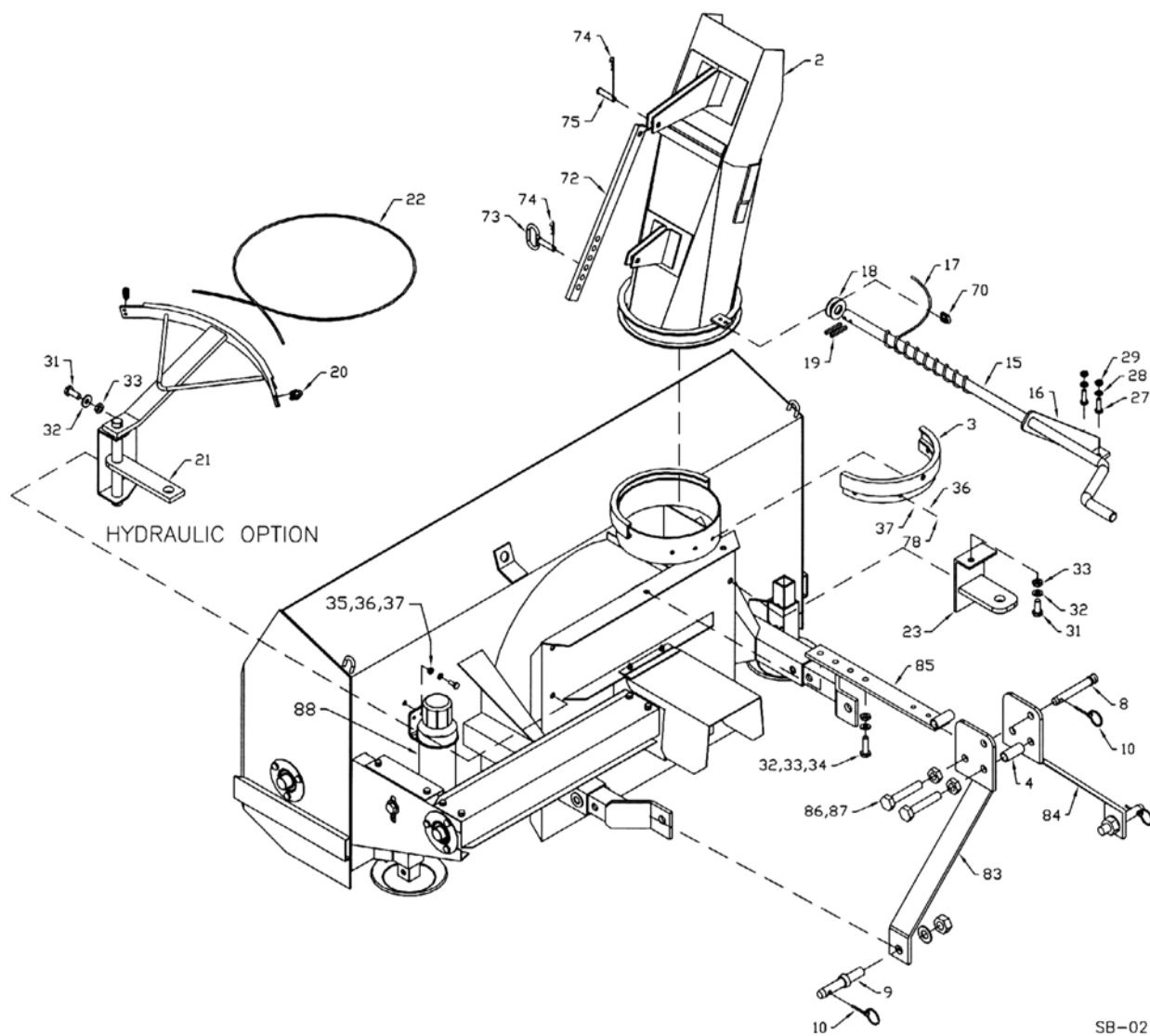
Torque figures indicated above are valid for non-greased or non-oiled threads and heads unless otherwise specified. Therefore, do not grease or oil bolts or hex bolts unless otherwise specified in this manual. When using locking elements, increase torque values by 5%.

*Torque value for bolts and hex bolts are identified by their head markings.

500 & 600 Snowblower Drawings



SB-01



SB-02

When Ordering Parts

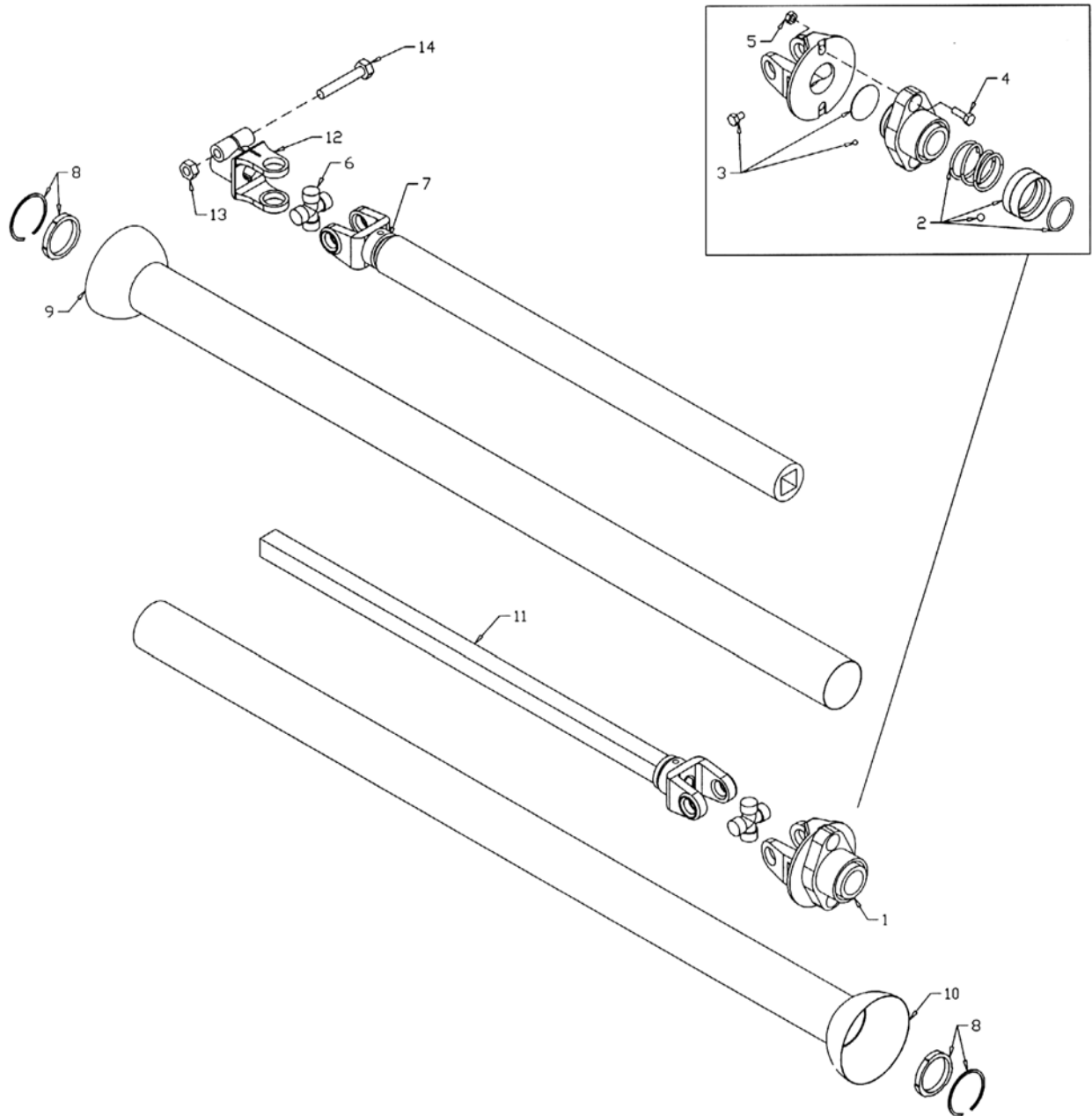
Always give your dealer the Model, Color and Serial Number of your machine to assist him in ordering and obtaining the correct parts. Use the exploded view and tabular listing of the area of interest to exactly identify the required part.

Item	Part Number	Description
1	905595	Main Body (#500)
	905596	Main Body (#600)
2	965645	Discharge Spout
3	965638	Spout Clamp
4	906770	Hitch Spacer 1" OD x 2-1/4"
5	907127	Hitch Tube Weldment - R
6	907128	Hitch Tube Weldment - L
7	F512	PTO Shaft (#500)
	F612	PTO Shaft (#600)
8	965807	Top Link Pin (Category 1)
9	965809	Lift Pin w/ Nut and Washer (Category 1)
10	965911	7/16" Linch Pin
11	965624	Hitch Pin 3/4" x 3-1/4"
12	12779	#9 Hair Pin Clip (pl)
13	968811	Pto Key - 1/4" x 2"
14	988999	3/8" Dia. x 3/8" Socket Set Screw
15	906667	Crank Handle
16	965634	Crank Mounting Bracket
17	965616	Crank Cable - 3/16" x 84" Long
18	9812438	1" ID x 14 Ga Narrow Rim Washer (pl)
19	9812425	1/4" x 1-1/4" Spring Pin
20	965806	3/16" Cable Clamp
21	965626	Hydraulic Swivel Weldment
22	965627	Hydraulic Cable - 3/16" x 58"
23	965628	Cylinder Mounting Bracket
24	965512	Drive Shaft Guard (#500)
	965644	Drive Shaft Guard (#600)
25	965818	1-1/4" Bearing W/ Collar
26	961637	1-1/4" Bearing Retainer
27	86171	3/8" x 1-1/4" Hex Bolt (pl)
28	81593	3/8" Lock Washer (pl)
29	81592	3/8" Hex Nut (pl)
30	86170	3/8" x 1" Hex Bolt (pl)
31	81620	1/2" x 1-1/4" Hex Bolt (pl)
32	81637	1/2" Lock Washer (pl)
33	81636	1/2" Hex Nut (pl)

Item	Part Number	Description
34	87553	1/2" x 1-3/4" Hex Bolt (pl)
35	81549	5/16" x 3/4" Hex Bolt (pl)
36	81569	5/16" Lock Washer (pl)
37	81568	5/16" Hex Nut (pl)
38	965630	Fan (#500) (Standard 3-Blade)
	965445	Fan (#500) (4-Blade)
	965642	Fan (#600) (Standard 3-Blade)
	907118	Fan (#600) (4-Blade)
39	965505	Auger (#500)
	965610	Auger (#600)
40	965637	40 Tooth Sprocket - #500 & #600
41	965631	Roller Chain (#50 x 94 Link w/ Connector)
42	965844	Idler Sprocket, 15T, #50
43	965826	Shear Sprocket, 13T, #50
44	965507	Drive Shaft (#500), 1-1/4" x 25-1/2"
	965613	Drive Shaft (#600), 1-1/4" x 30-1/2"
45	965632	Idler Spacer - 1/2" Long
46	965069	Fan Shaft 1-1/4" x 14-1/2"
47	961882	Bevel Gear, 1-1/4" Bore
48	961676	1-1/4" Bearing w/ Collar
49	961675	1-1/4" Bearing Retainer
50	901331	Fan Key - 1/4" x 3-1/2"
51	109343	3/16" x 1-1/8" Woodruff Key
52	84335	5/8" x 2-1/2" Hex Bolt (pl)
53	81678	5/8" Flat Washer BS (pl)
54	81677	5/8" Lock Washer (pl)
55	81676	5/8" Hex Nut (pl)
56	812216	1/4" x 1" Hex Bolt (pl) (Gr. 2)
57	84498	1/4" Lock Nut (pl)
58	81598	7/16" x 1-1/4" Hex Bolt (pl)
59	81615	7/16" Lock Washer (pl)
60	981616	7/16" Flat Washer BS (pl)
61	81213	3/8" x 1" Square Head Set Screw (pl)
62	81627	1/2" x 3" Hex Bolt (pl)
63	812364	1/2" Lock Nut (pl)
64	965968	Idler Shield
65	965643	Gearbox Lid
66	960135	Pto Guard Spring
67	81525	1/4" x 3/4" Hex Bolt (pl)
68	81545	1/4" Lock Washer (pl)
69	81544	1/4" Hex Nut (pl)

Item	Part Number	Description
70	961658	1/4" Cable Clamp
71	9812434	1/4" x 1-1/2" Cotter Pin (pl)
72	965646	Spout Adjustment Bar
73	903523	1/2" x 1-1/2" Adjustment Pin Weldment
74	961012	#16 Hair Pin Clip
75	961876	1/2" x 1-1/2" Clevis Pin (pl)
76	901435	1/2" x 2-1/2" Clevis Pin (pl)
77	902477	Skid Plate Weldment
	F6598	Skid Plate Bundle
78	812026	5/16" x 1" Hex Bolt (pl)
79	936402	PTO Safety Chain
80	9812487	Narrow Rim Washer 1-1/4" x 10ga (pl)
81	967110	Narrow Rim Washer 1-1/4" x 14ga (pl)
82	9812439	Narrow Rim Washer 1-1/4" x 18ga (pl)
83	907133	Hitch Arm Weldment - L
84	907134	Hitch Arm Weldment - R
85	907138	Hitch Top Bar Weldment (#500)
	907139	Hitch Top Bar Weldment (#600)
86	84336	3/4" x 4" Hex Bolt (pl)
87	812365	3/4" Lock Nut (pl)
88	909277	Manual Holder

500 & 600 Snowblower PTO Shaft Drawing

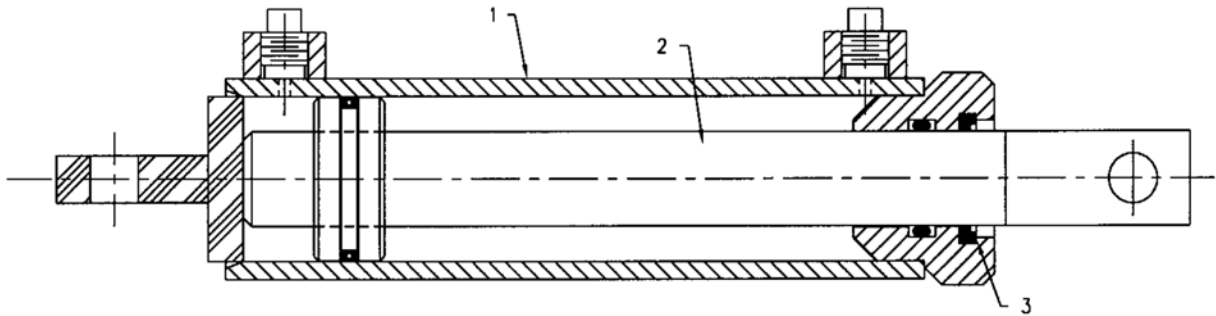


Item	Part Number	Description
------	-------------	-------------

500 Snowblower		
	F512	Shaft Complete
	936379	Tractor Half of PTO (shear)
	936380	Implement Half of PTO (clamp yoke)
1	936247	Shear Assembly
2	936168	Spring - Lock Kit (Collar, Spring, Ret. Ring, 2-3/8" Balls)
3	936248	Shear Kit (3/8" x 1/2" Bolt, Blank, 24-1/4" Balls)
4	967270	Shear Bolt 3/8" x 1" (grade 8) - 1 required
5	812363	3/8" Lock Nut
6	936079	Repair Kit (Option)
	906547	Extended Life Repair Kit (Std.)
7	936381	Yoke & Tube
8	936389	Bearing & Snap Ring Kit
9	936382	Inner Guard
10	936383	Outer Guard
11	936384	Yoke & Shaft
12	936254	Clamp Yoke
13	81627	1/2" x 3" Hex Bolt (pl)
14	812364	1/2" Lock Nut (pl)

600 Snowblower		
	F612	Shaft Complete
	936385	Tractor Half of PTO (shear)
	936386	Implement Half of PTO (clamp yoke)
1	936167	Shear Assembly
2	936168	Spring - Lock Kit (Collar, Spring, Ret. Ring, 2-3/8" Balls)
3	936248	Shear Kit
4	903297	Shear Bolt 5/16" x 1" (grade 8) (pack of 10)
5	812362	5/16" Lock Nut
6	936093	Repair Kit (Option)
	906503	Extended Life Repair Kit (Std.)
7	936375	Yoke & Tube
8	936319	Bearing & Snap Ring Kit
9	936391	Inner Guard
10	936377	Outer Guard
11	936378	Yoke & Shaft
12	936262	Clamp Yoke
13	81627	1/2" x 3" Hex Bolt (pl)
14	812364	1/2" Lock Nut (pl)

1.75 x 5 Cylinder Drawing



24930

Item	Part Number	Description
	24930	Cyl Complete
1	115367	Tube Weldt
2	112104	Shaft Weldt 1.0 Dia
3	X2669	Seal Kit

Shipping Kit and Bundle Numbers

The following is a list of Kit Numbers for this product and the Bundle Numbers, Descriptions, and Quantities for each Kit.

Quantity	Bundle Number	Description
Y500 - 500 Snowblower w/ Hand Crank, 3-Blade Fan		
1	F0430	Body Assembly
Y600 - 500 Snowblower w/ Hand Crank, 3-Blade Fan		
1	F0434	Body Assembly
Y500-4 - 500 Snowblower w/ Hand Crank, 4-Blade Fan		
1	F0431	Body Assembly
Y600-4 - 600 Snowblower w/ Hand Crank, 4-Blade Fan		
1	F0435	Body Assembly

Optional Bundle Numbers

The following is a list of options available for the Kits listed above.

1	F9304	Hydraulic Chute Control for 500 & 600 Snowblower (less cylinder)
1	F9305	Hand crank for 500 & 600 Snowblower
1	F512	500 Snowblower PTO
1	F612	600 Snowblower PTO
1	F9117	Deflector Cylinder & Hose Kit for 500 & 600
1	F621	Optional Long PTO for 500 & 600
1	F0695	2" x 8" Hydraulic Cylinder & Hose Kit

Farm King Limited Warranty

This document limits your warranty rights.

Base Limited Warranty

Buhler Industries Inc. provides this warranty only to original retail purchasers of its product. Buhler Industries Inc. warrants to such purchasers that all Buhler Industries Inc. manufactured parts and components used and serviced as provided for in the Operator's Manual shall be free from defects in materials and workmanship for a period following delivery to the original retail purchaser of 12 months (80 days for commercial applications). This limited warranty applies only to those parts and components manufactured by Buhler Industries Inc. Parts and components manufactured by others are subject to their manufacturer's warranties, if any.

Buhler Industries Inc. will fulfill this limited warranty by, at its option, repairing or replacing any covered part that is defective or is the result of improper workmanship, provided that the part is returned to Buhler Industries Inc. within thirty (30) days of the date that such defect or improper workmanship is, or should have been, discovered. Buhler Industries Inc. reserves the right to either inspect the product at the buyer's location or have it returned to the factory for inspection. Parts must be returned through the selling representative and the buyer must prepay transportation charges.

Buhler Industries Inc. will not be responsible for repairs or replacements that are necessitated, in whole or part, by the use of parts not manufactured by or obtained from Buhler Industries Inc. Under no circumstances are component parts warranted against normal wear and tear. There is no warranty on product pump seals, product pump bearings, rubber product hoses, pressure gauges, or other components that require replacement as part of normal maintenance. Also: Buckets and Bucket Tines carry no warranty, Bent Spears carry no warranty, Snowblower Fan Shafts carry no warranty, Mower Blades carry no warranty, Portable Auger Parts Have Two (2) Year Warranty, Loader Parts Have Two (2) Year Warranty. The purchaser is solely responsible for determining suitability of goods sold. This warranty is expressly in lieu of all other warranties expressed or implied. Buhler Industries Inc. will in no event be liable for any incidental or consequential damages whatsoever. Nor for any sum in excess of the price received for the goods for which liability is claimed.

Repair Parts Limited Warranty

Buhler Industries Inc. warrants Farm King replacement parts purchased after the expiration of the Buhler Industries Inc. Limited Warranty, and used and serviced as provided for in the Operator's Manual, to be free from defects in materials or workmanship for a period of thirty (30) days from the invoice date for the parts. Buhler Industries Inc. will fulfill this limited warranty by, at its option, repairing or replacing any covered part that is defective or is the result of improper workmanship, provided that the part is returned to Buhler Industries Inc. within thirty (30) days of the date that such defect or improper workmanship is, or should have been, discovered. Such parts must be shipped to Buhler Industries Inc. at the purchaser's expense.

What is Not Covered

Under no circumstances does this limited warranty cover any components or parts that have been subject to the following: negligence; alteration or modification not approved by Buhler Industries Inc.; misuse; improper storage; lack of reasonable and proper maintenance, service, or repair; normal wear; damage from failure to follow operating instructions; accident; and/or repairs that have been made with parts other than those manufactured, supplied, and or authorized by Buhler Industries Inc.

Authorized Dealer and Labor Costs

Repairs eligible for labor under this limited warranty must be made by Buhler Industries Inc. or an authorized Farm King dealer. Buhler Industries Inc. retains the exclusive discretion to determine whether it will pay labor costs for warranty repairs or replacements, and the amount of such costs that it will pay and the time in which the repairs will be made. If Buhler Industries Inc. determines that it will pay labor costs for warranty work, it will do so by issuing a credit to the dealer's or distributor's account. Buhler Industries Inc. will not approve or pay invoices sent for repairs that Buhler Industries Inc. has not previously approved. Warranty service does not extend the original term of this limited warranty.

Warranty Requirements

To be covered by warranty, each Farm King new product must be registered with Buhler Industries Inc. within thirty (30) days of delivery to original retail purchaser. If the customer decides to purchase replacement components before the warranty disposition of such components is determined, Buhler Industries Inc. will bill the customer for such components and then credit the replacement invoice for those components later determined to be covered by this limited warranty. Any such replacement components that are determined not be covered by this limited warranty will be subject to the terms of the invoice and shall be paid for by the purchaser.

Warranty Claims:

Warranty requests must be prepared on Buhler Industries Inc. Warranty Claim Forms with all requested information properly completed. Warranty Claims must be submitted within a thirty (30) day period from date of failure repair.

Warranty Labor:

Any labor subject to warranty must be authorized by Buhler Industries Inc. The labor rate for replacing defective parts, where applicable, will be credited at 100% of the dealer's posted shop rate. Defective parts will receive an extra 10% discount to assist with freight or other incidental costs.

Exclusive Effect of Warranty and Limitation of Liability

TO THE EXTENT PERMITTED BY LAW, BUHLER INDUSTRIES INC. DISCLAIMS ANY WARRANTIES, REPRESENTATIONS, OR PROMISES, EXPRESS OR IMPLIED, AS TO THE QUALITY, PERFORMANCE, OR FREEDOM FROM DEFECT OF THE COMPONENTS AND PARTS COVERED BY THIS WARRANTY AND NOT SPECIFICALLY PROVIDED FOR HEREIN.

TO THE EXTENT PERMITTED BY LAW, BUHLER INDUSTRIES INC. DISCLAIMS ANY IMPLIED WARRANTIES OF MERCHANTABILITY AND FITNESS FOR A PARTICULAR PURPOSE ON ITS PRODUCTS COVERED HEREIN, AND DISCLAIMS ANY RELIANCE BY THE PURCHASER ON BUHLER INDUSTRIES INC.'S SKILL OR JUDGMENT TO SELECT OR FURNISH GOODS FOR ANY PARTICULAR PURPOSE. THE PURCHASER'S ONLY AND EXCLUSIVE REMEDIES IN CONNECTION WITH THE BREACH OR PERFORMANCE OF ANY WARRANTY ON PRODUCTS MANUFACTURED BY BUHLER INDUSTRIES INC. ARE THOSE SET FORTH HEREIN. IN NO EVENT SHALL BUHLER INDUSTRIES INC. BE LIABLE FOR INCIDENTAL OR CONSEQUENTIAL DAMAGES (INCLUDING, BY WAY OF EXAMPLE ONLY AND NOT LIMITATION, LOSS OF CROPS, LOSS OF PROFITS OR REVENUE, OTHER COMMERCIAL LOSSES, INCONVENIENCE, OR COST OF REPLACEMENT OF RENTAL EQUIPMENT). IN NO EVENT SHALL FARM KING'S CONTRACT OR WARRANTY LIABILITY EXCEED THE PURCHASE PRICE OF THE PRODUCT.

(Note that some provinces or states do not allow limitations on how long an implied warranty lasts or the exclusion or limitation of incidental or consequential damages, so the above limitations and exclusion may not apply to you.) This warranty gives you specific legal rights and you may also have other rights, which vary from province to province or state to state.

Buhler Industries Inc. neither assumes nor authorizes any person or entity, including its selling representatives, to assume any other obligations or liability in connections with the sale of covered equipment, or to make any other warranties, representations, or promises, express or implied, as to the quality, performance, or freedom from defect of the components and parts covered herein. No one is authorized to alter, modify, or enlarge this limited warranty, or its exclusions, limitations and reservations.

Corrections of defects and improper workmanship in the manner, and for the applicable time periods, provided for herein shall constitute fulfillment of all responsibilities of Buhler Industries Inc. to the purchaser, and Buhler Industries Inc. shall not be liable in negligence, contract, or on any other basis with respect to the subject equipment.

This limited warranty is subject to any existing conditions of supply which may directly affect Buhler Industries Inc.'s ability to obtain materials or manufacture replacement parts.

Buhler Industries Inc. reserves the right to make improvements in design or changes in specifications to its products at anytime, without incurring any obligation to owners of units previously sold.

Government Legislation:

Warranty terms and conditions are subject to provincial or state legislation.

Important Note: This warranty does not apply to rentals.

www.farm-king.com

Farm King

1330 43rd Street NW
Fargo, ND USA 58102
Ph.: 701.282.7014 | Fax: 701.282.5865
Toll Free: 888.524.1004
E-mail: info@buhler.com
www.farm-king.com

Equipment shown is subject to change without notice.
©2010 Buhler Trading Inc. Printed in USA. TSX:BUI

bühler | a division of Buhler Industries Inc.