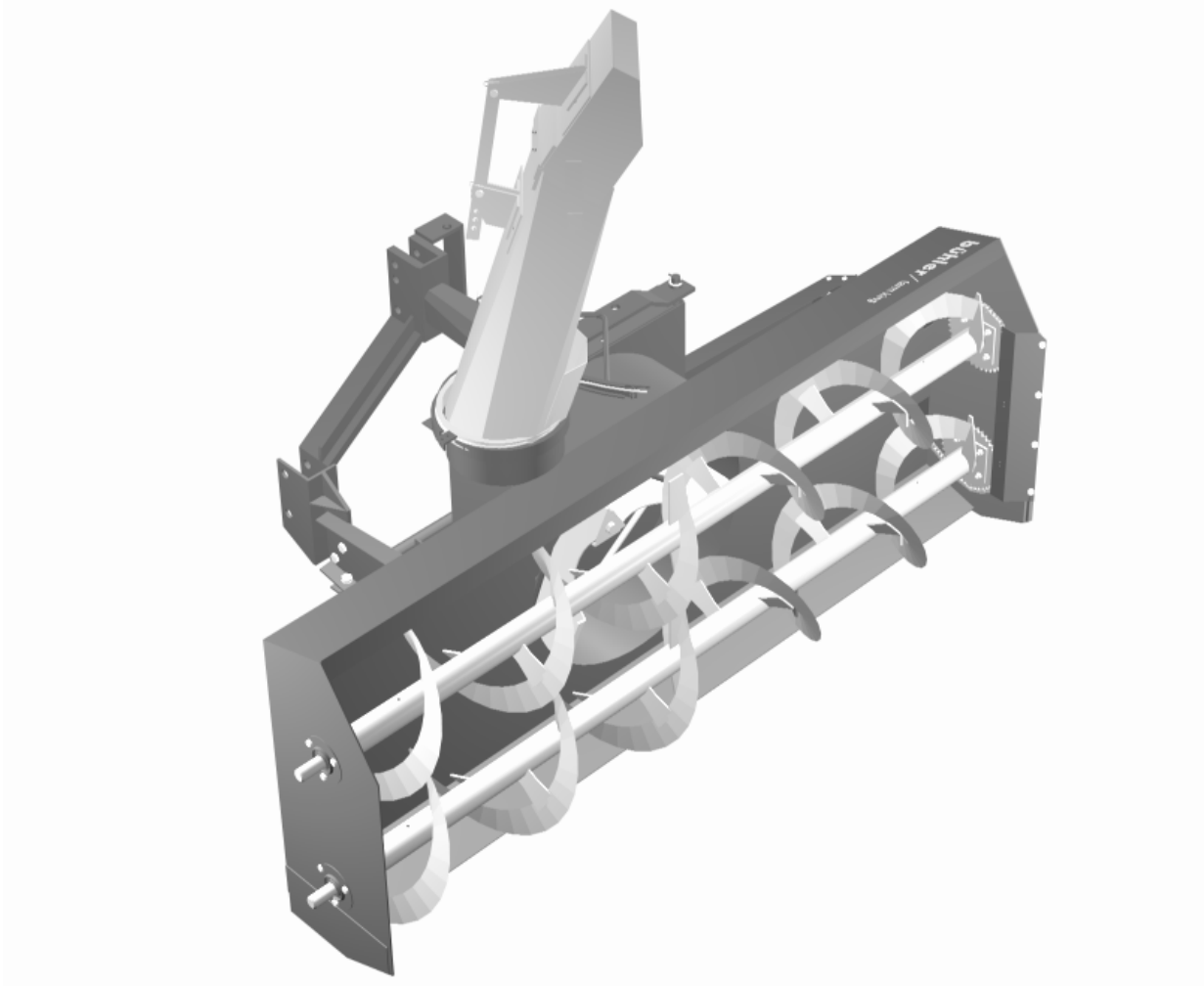


bühler

farm king



1080 Snowblower

Operator's and Parts Manual
FK329

2009

TABLE OF CONTENTS

DESCRIPTION	PAGE
WARRANTY	1
INTRODUCTION	2
SAFETY	3
Safety Instructions	3
General Safety	4
Start Up Safety	4
Operation Safety	4
Transport Safety.....	5
Service and Maintenance Safety.....	5
Storage Safety	5
Safety Signs	5
Safety Sign Installation.....	6
ASSEMBLY	7
Assembly Instructions	7
OPERATION	9
Operating Instructions	9
Theory Of Operation	11
MAINTENANCE	11
Bolt Torque	11
PARTS DRAWINGS	12
#1080 Snowblower Drawings.....	12
#1080 Snowblower Parts List.....	15
#1080 Snowblower PTO Drawing	19
#1080 Snowblower PTO Shaft Parts List.....	20
SHIPPING KIT AND BUNDLE NUMBERS	21

WARRANTY POLICY

Buhler Manufacturing products are warranted for a period of twelve (12) months (90 days for commercial application) from original date of purchase, by original purchaser, to be free from defects in material and workmanship under correct, normal agricultural use and proper applications.

Buhler Manufacturing's obligations under this warranty shall be limited to the repair or exchange, at Buhler Manufacturing's option, of any Buhler Manufacturing product or part which proves to be defective as provided. Buhler Manufacturing reserves the right to either inspect the product at the buyer's location or have it returned to the factory for inspection.

The above warranty does not extend to goods damaged or subject to accident, abuse or misuse after shipment from Buhler Manufacturing's factory, nor to goods altered or repaired by anyone other than an authorized Buhler Manufacturing representative.

Buhler Manufacturing makes no Express Warranties other than those, which are specifically described. Any description of goods, including any references and specifications in catalogues, circulars and other written material published, is for the sole purpose of identifying goods and shall conform to such descriptions. Any sample or model is for illustrative purposes only and does not create an Express Warranty that the goods conform to sample or model shown.

The purchaser is solely responsible for determining suitability of goods sold. This warranty is expressly in lieu of all other warranties expressed or implied. Buhler Manufacturing will in no event be liable for any incidental or consequential damages whatsoever. Nor for any sum in excess of the price received for the goods for which liability is claimed.

WARRANTY CLAIMS:

Warranty requests must be prepared on Buhler Manufacturing Warranty Claim Forms with all requested information properly completed. Warranty Claims must be submitted within a thirty (30) day period from date of failure repair.

WARRANTY LABOR:

Any labor subject to warranty **must** be authorized by Buhler Manufacturing. The labor rate for replacing defective parts, where applicable, will be credited at 100% of the dealer's posted shop rate. Defective parts will receive an extra 10% discount to assist with freight or other incidental costs.

GOVERNMENT LEGISLATION:

Warranty terms and conditions are subject to Provincial or State legislation.

IMPORTANT FACTS:

Buckets and Bucket Tines Carry No Warranty
Bent Spears Carry No Warranty
Snowblower Fan Shafts Carry No Warranty
Mower Blades Carry No Warranty
Portable Auger Parts Have Two (2) Year Warranty
Loader Parts Have Two (2) Year Warranty

IMPORTANT NOTE: This warranty does not apply to rentals

INTRODUCTION

Buhler Farm King has years of snowblower manufacturing expertise and thousands of acreages, farms and cities depend on Buhler snowblowers. PTO-driven Buhler Farm King Snowblowers attach to 3-point hitch . A hitch system, which is quick-hitch compatible, is standard on all models. This model is supplied with Category 2 pins, as well as conversion bushings to category 3.

A 7" or 10" commercial truck loader chute is available as an option on the 1080 models. There are two 108" models - the Y1080C has a 1,000 rpm gearbox and the Y1080D features a 540 rpm drive system. Adjustable cup type skid shoes are standard on all models. This model has a 4 blade fan and Hydraulic Spout Control as standard equipment. Shear bolt protection is provided at the sprocket to the main auger, and is easily accessed by removing wing nuts and cover at the back of the housing. There is a shear bolt on the auger and on the PTO shaft to protect the machine from damage if a large object is picked up. Any smaller objects in the snow will be thrown with it and could cause serious injury. Do not allow anyone stand behind the tractor or in the area of the discharged snow.

Keep this manual handy for frequent reference. All new operators or owners must review the manual before using the equipment and at least annually thereafter. Contact your Buhler Dealer if you need assistance, information, or additional copies of the manual. Visit our website at www.buhler.com for a complete list of dealers in your area. The directions left, right, front and rear, as mentioned throughout this manual, are as seen facing in the direction of travel of the implement.

SAFETY

Remember, YOU are the key to safety. Good safety practices not only protect you, but also the people around you. Make these practices a working part of your safety program. Be certain that everyone operating this equipment is familiar with the recommended operating and maintenance procedures and follows all the safety precautions. Most accidents can be prevented. Do not risk injury or death by ignoring good safety practices.

The alert symbol is used throughout this manual. It indicates attention is required and identifies hazards. Follow the recommended precautions.



The safety alert symbol means...

ATTENTION! BECOME ALERT! YOUR SAFETY IS INVOLVED!



CAUTION

The caution symbol indicates a potentially hazardous situation that, if not avoided, may result in minor or moderate injury. It may also be used to alert against unsafe practices.



WARNING

The Warning Symbol indicates a potentially hazardous situation that, if not avoided, could result in death or serious injury, and includes hazards that are exposed when guards are removed. It may also be used to alert against unsafe practices.



DANGER

The Danger Symbol indicates an imminently hazardous situation that, if not avoided will result in death or serious injury. This signal word is to be limited to the most extreme situations, typically for machine components that, for functional purposes, cannot be guarded.

GENERAL SAFETY

Have a first-aid kit available for use and know how to use it.

Have a fire extinguisher available, stored in a highly visible location, and know how to use it.

Wear appropriate protective gear. This list may include but is not limited to:

- Hard hat
- Protective shoes with slip resistant soles
- Protective glasses or goggles
- Heavy gloves
- Wet weather gear
- Hearing protection
- Respirator or filter mask

Read and understand the Operator's Manual and all safety signs before operating, servicing, adjusting, repairing, or unplugging the equipment.

Do not attempt any unauthorized modifications to your Buhler product as this could affect function or safety, and could affect the life of the equipment.

Never start or operate the snowblower except from the operator's station on the power unit.

Inspect and clean the working area before operating.

Keep hands, feet, clothing, and hair away from moving parts.

Ensure bystanders are clear of the area before operating.

START-UP SAFETY

Do not let inexperienced operators or children run this equipment.

Place all tractor and machine controls in neutral before starting.

Operate only with ROPS and seatbelt equipped tractors.

Do not operate inside a building unless there is adequate ventilation.

Ensure all shields are in place and in good condition before operating.

Stay clear of PTO shaft and machine when engaging PTO.

OPERATION SAFETY

Do not permit riders.

Do not wear loose fitting clothing during operation.

Never operate the equipment in the raised position.

TRANSPORT SAFETY

Review Transport Safety instructions in tractor manual before moving.

Check with local authorities regarding transport on public roads. Obey all applicable laws and regulations.

Make sure the SMV (Slow Moving Vehicle) emblem and all the lights and reflectors that are required by the local highway and transport authorities are in place, are clean, and can be seen clearly by all overtaking and oncoming traffic.

Never have the equipment in operation during transport.

Always travel at a safe speed.

SERVICE AND MAINTENANCE SAFETY

Stop engine, set brake, remove ignition key, and wait for all moving parts to stop before servicing, adjusting, repairing, or unplugging.

Support the equipment with blocks or safety stands before working beneath it.

Follow good shop practices including

- Keep service area clean and dry
- Be sure electrical outlets and tools are properly grounded
- Use adequate light for the job

Use only tools, jacks, and hoists of sufficient capacity for the job.

Replace and secure all shields removed during servicing before operating.

Use heavy leather gloves to handle sharp objects.

Check hydraulics regularly for leaks. Use cardboard to look for leaks, and use hand and eye protection.

Relieve pressure on hydraulic system before repairing or adjusting.

STORAGE SAFETY

Store the unit in an area away from human activity.

Do not permit children to play on or around the stored machine.

Support the frame on stands and blocks to provide a secure base.

SAFETY SIGNS

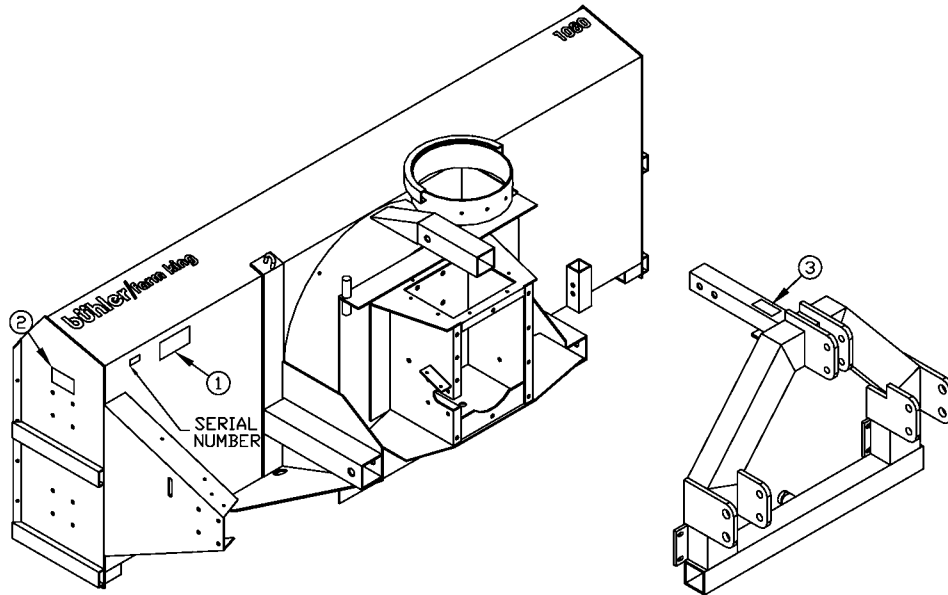
The following illustration shows the approximate location and detail of safety signs.

Keep all safety signs clean and legible and replace any that are damaged or missing.

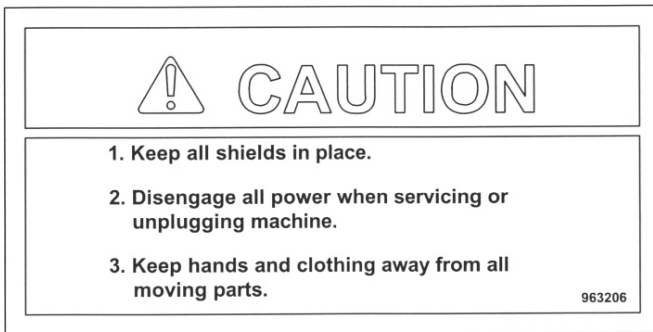
When original parts are replaced, any safety signs affixed to those parts should be replaced as well. Replacement safety signs are available from your local dealer.

INSTALLATION OF SAFETY SIGNS

To install safety signs, ensure the installation area is clean and dry. Decide on the exact position before you remove the backing paper. Remove the smallest portion of the split backing paper and align over the specified area. Carefully press in place. Slowly peel back the remaining paper and smooth the remaining portion in place. Small air pockets can be pierced with a pin and smoothed out.

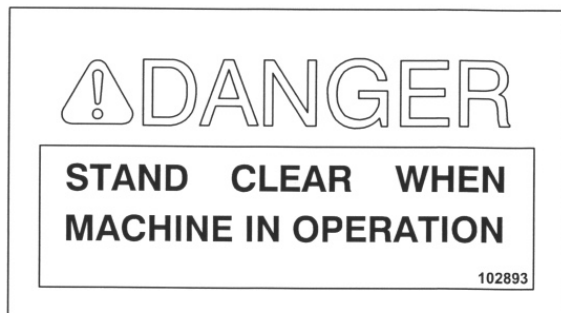


SB-31

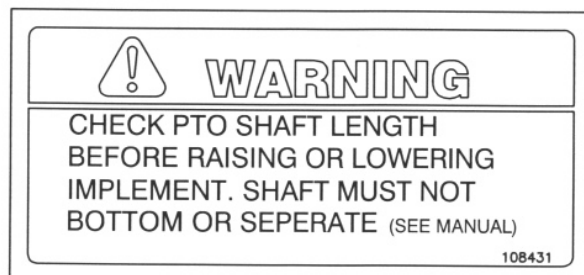


#1

Replace safety signs immediately should they become damaged, torn or illegible. Obtain replacements from your authorized dealer using the part numbers shown.




#2



#3

ASSEMBLY INSTRUCTIONS

1. Hitch Assembly: With lower hitch tubes (#3) turned as shown in drawing, slide them into the sleeves welded to the main body. These tubes are adjustable to two different positions. The correct position for each individual tractor will be determined when mounting the snowblower on the tractor (see Section 4). Start with the tubes pulled out to the last hole. These tubes are connected to the snowblower with a 1 ¼" x 5 ½" pin (#6) and a hairpin clip (#12). Slide the three-point hitch (#2) into the top sleeve on the snowblower body and hole in place with a 1" x 4 3/8" pin (#7) and a hairpin clip (#12). Bolt the bottom of the hitch to the ends of the hitch tubes using ½" x 2" hex bolts, lock washers, flat washers and hex nuts.
2. Spout Assembly: Mount the discharge spout (#64 or #73) using the spout clamp (#22) bolted to the spout ring on the snowblower. Lubricate the spout ring and clamp. Mount the 5" stroke cylinder (#68) on the spout as shown in the drawing.
 **CAUTION:** The ports in the cylinder are both 9/16" orb. Be sure that the bottom edge of the deflectors are properly fitted in the guides before using the hydraulic control.
3. Hydraulic Spout Swivel:
 - a) Bolt the cylinder arm base (#17) to the bottom of the hitch using 5/8" x 2" hex bolts, lock washers and hex nuts. **NOTE:** There are three sets of holes. The hole used to bolt on this base must match with the holes used to assemble the hitch in the hitch tubes (i.e. 1st hole second hole, etc.)
 - b) Mount the spout swivel (#16) onto the swivel pin welded to the back corner of the fan housing using a 1 ¼" I.D. flat washer (#31) and a ¼" x 2" cotter pin (#32)
 - c) Wrap cable (#18) around spout and clamp to the ends of the swivel using 3/8" cable clamps (#19)
 - d) With the spout turned forward and the swivel arm centered with the spout, clamp the cable to the spout cable anchor using another cable clamp. Ensure that the spout is not jammed and that there is no slack in the cable.
 - e) Use a standard 8" stroke cylinder (20 ¼" min., 28 ½" max. pin centers).

ASSEMBLY INSTRUCTIONS - Cont'd.

4. Mounting blower on Tractor:

- a) Mount the blower on a tractor with a category 2 or 3 standard hitch or a category 3 quick hitch. The hitch has two holes both at the top of the hitch and at each lift arm. When using a quick hitch, the pins must be in the inside set of holes. Use the outside set of holes with a standard three-point hitch. The lift arm pins also have a narrow spacing for category 2 and a wide spacing for category 3.
- b) Using tape or a bright colored marking pen, mark on the outer shields of the PTO the position where the shaft is completely pushed together and the position where you have a 4" overlap. Watch these marks when moving the blower through all possible operating angles to see that the PTO shaft stays within this range. Slide the hitch in if necessary to keep the PTO shaft in this operating range. Do not forget to change the position of the cylinder arm (#17) by the same distance that you move the hitch.
- c) With the engine on the tractor shut off, attach the PTO shaft. The tractor end has a 1 3/8" 21 spline end with a spring loaded locking collar. The snowblower end has a clamp style yoke with a 3/8" keyway. Slide the yoke onto the 1 3/4" jackshaft with the 3/8" key supplied. Lock the yoke in place with the 5/8" x 3 1/4" bolt and lock nut fitted through the groove in the gearbox shaft. After tightening the bolt, insert and tighten the 3/8 socket set screw supplied.
- d) Always check to see that both ends of the PTO shaft are securely attached every time the snowblower is used. This should always be done with the tractor engine off.

OPERATING INSTRUCTIONS

1. Do not operate the blower in the fully raised position. The three-point hitch on some tractors raises high enough to cause the PTO shaft to bind. This can cause damage to the PTO shaft and/or to the hitch and pins.
2. Depth of the cut can be partially controlled by tilting the blower forward or backward. Adjust the top link of the tractor hitch so the snowblower is just slightly tilted back when resting on the ground. **⚠ CAUTION:** Excessive backward tilt may cause the “U” joints to flutter resulting in PTO shear bolt failure.
3. The snowblower hitch should mount on three types of tractor hitches. A standard category 2 uses the pins supplied without bushings. A standard category 3 uses the pins supplied with the bushings. A category 3 quick hitch uses the pins with bushings on the inside holds (holes are exactly 19” apart measured up and down.)
4. Adjust the lower link sway chains or blocks on the tractor to restrict movement of the blower when operating.
5. The snowblowers may be purchased with either of two available spouts. Both spouts have hydraulically controlled spout deflectors. The standard spout should be suitable for all general snow blowing applications. The truckloader spout was designed to blow directly onto the back of a truck. The maximum height of the truck side you blow over should be approximately 10 feet.
6. Run the blower at lot RPM to check operation before blowing snow.
7. The snowblower has shear bolts to protect the tractor and blower in case a large object enters the blower. The PTO shaft uses two - 3/8" x 1" (Grade 2) hex bolts as shear bolts. The auger uses one - 5/16" x 1 1/4" (Grade 5) hex bolt as a shear bolt. Shear bolts should be fastened with a lock nut. These bolts must be kept tight to prevent wear of the bolt and bolt holes.
8. Never run PTO shaft at over 1000 RPM.
9. Chain Tension: Slack on the lower side of the chain should be 3/8 to 1/2 inch.

OPERATING INSTRUCTIONS – cont'd.

10. Lubrication:


- a) The spout clamps and rings should be periodically lubricated with gun grease. This is particularly important on the truckloader spout which turns harder than the standard spout due to the length and weight.
- b) PTO shaft universal joints and splined slide should be greased daily.
- c) Regularly oiling the chain will significantly increase the life of the chain.
- d) The grease fitting on the hydraulic spout swivel arm and discharge spout should be kept lubricated.
- e) Use any 80-90 gear oil or multigrade with 80 minimum in the gearbox up to the level plug height.

11. Periodically check all bolts for tightness. The bolt holding on the fan and the bearing bolts are of particular importance.

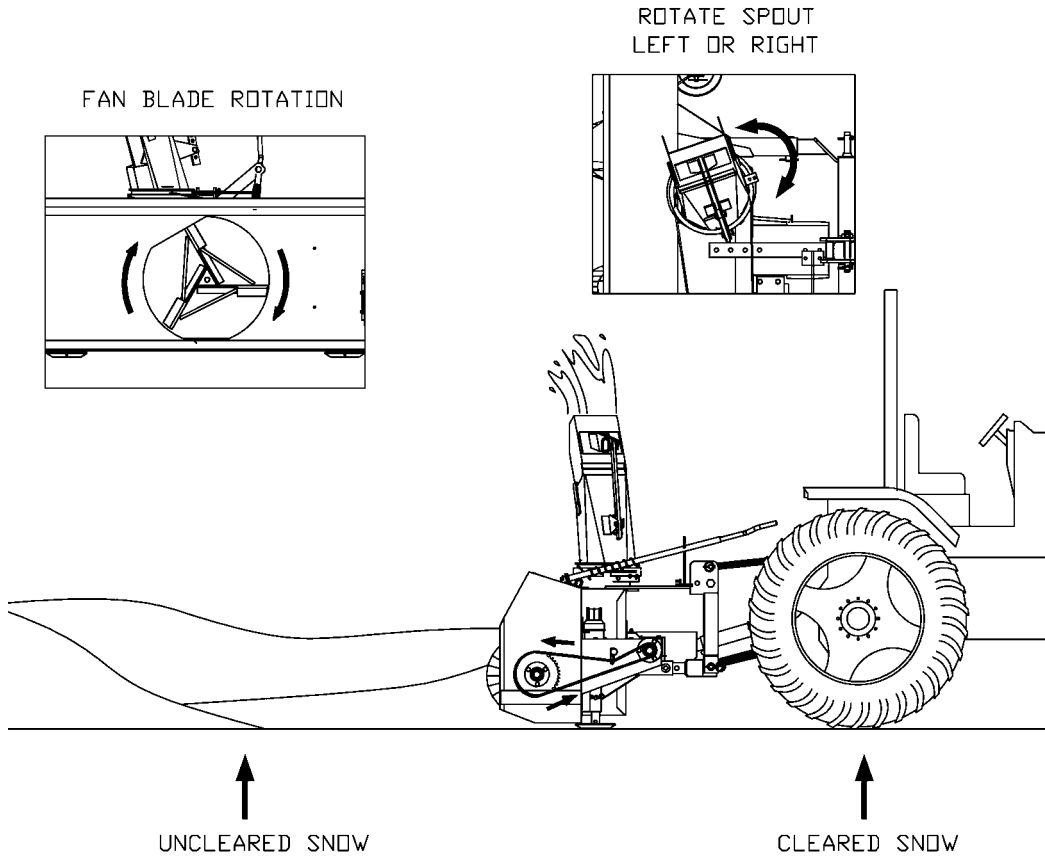
12.  **DANGER: Always stop blowing for servicing or unplugging. The PTO should be disengaged before dismantling from the tractor.**

13. Shear Sprocket: The shear sprocket (#46) should be checked at the beginning of every season to make sure it will spin freely. Clean to loosen if necessary.

14. When replacing bearings or tightening a loose bearing collar, always tighten collar in the direction of shaft rotation using a center punch or a similar tool.

15.  **CAUTION:** Avoid raising or lowering snowblower under load. Doing so can create excessive end pressure on the PTO shaft which could lead to bearing failure on the snowblower.

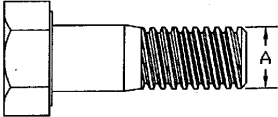
THEORY OF OPERATION



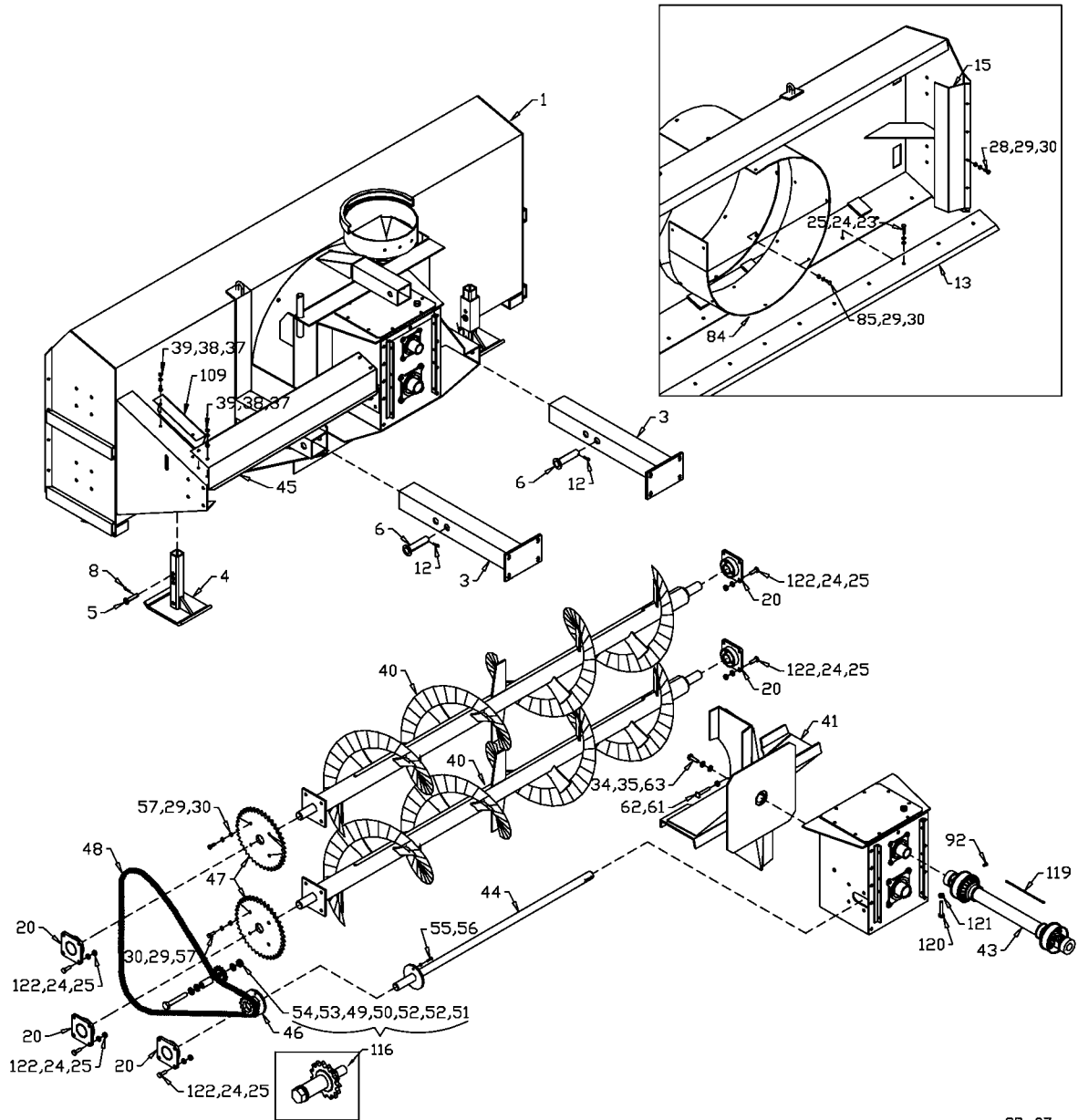
SB-36

MAINTENANCE

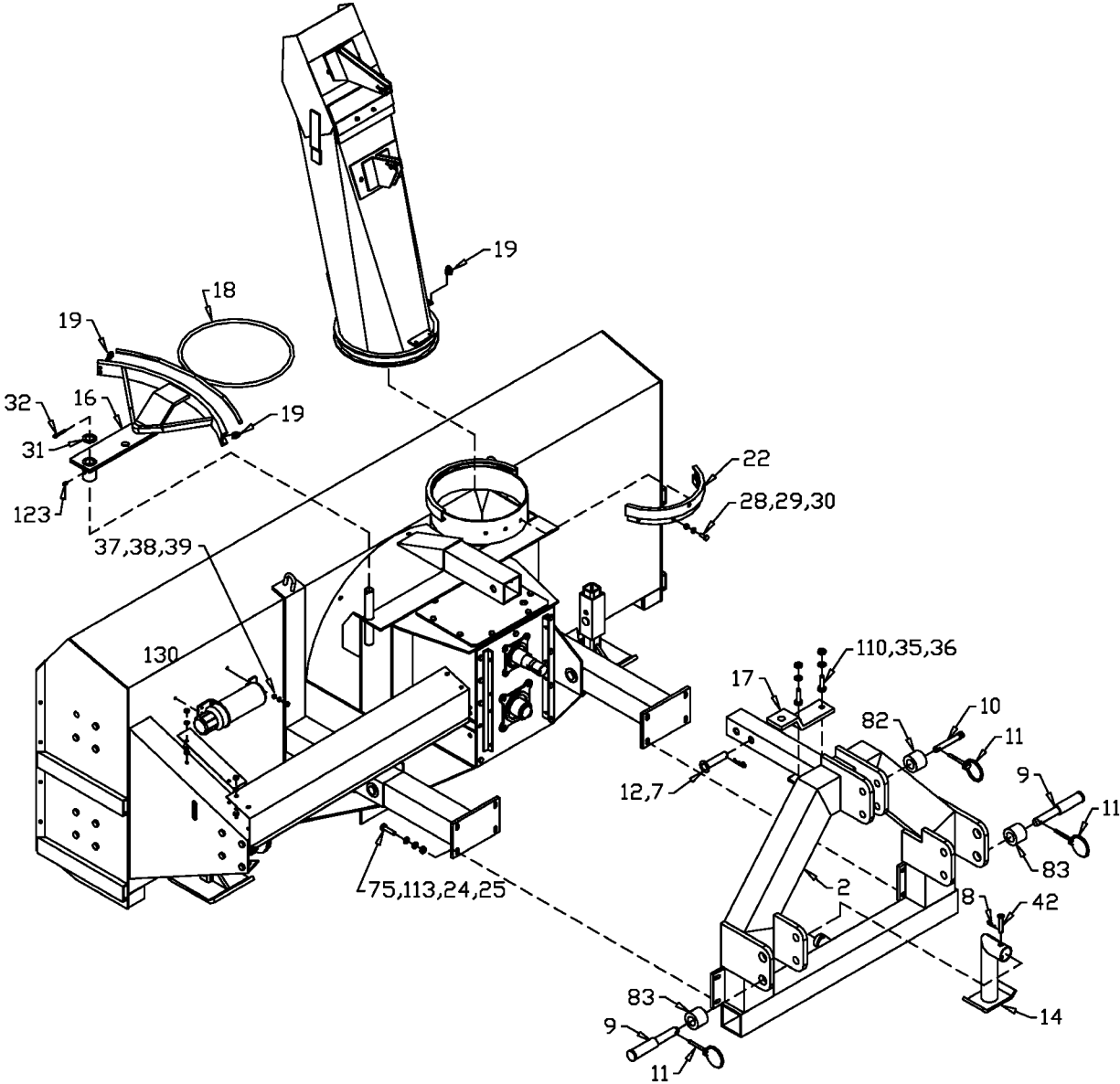
Bolt Torque

 Bolt Diameter	SAE2		SAE5		SAE8	
	N.m	lb-ft	N.m	lb-ft	N.m	lb-ft
"A"						
1/4"	8	6	12	9	17	12
5/16"	13	10	25	19	36	27
3/8"	27	20	45	33	63	45
7/16"	41	30	72	53	100	75
1/2"	61	45	110	80	155	115
9/16"	95	70	155	115	220	165
5/8"	128	95	215	160	305	220
3/4"	225	165	390	290	540	400
7/8"	230	170	570	420	880	650
1"	345	225	850	630	1320	970

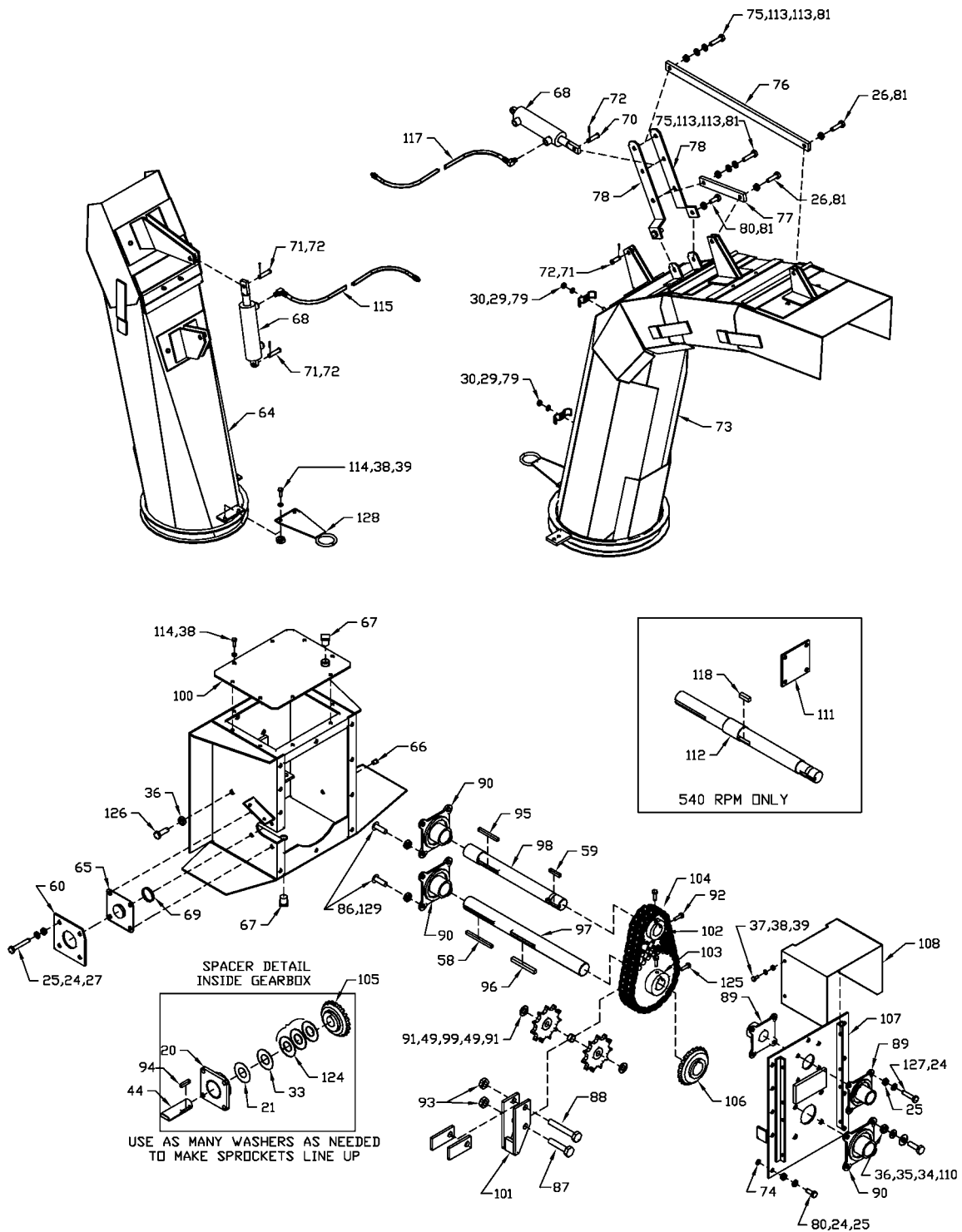
#1080 SNOWBLOWER



SB-27



SB-28



WHEN ORDERING PARTS

Always give your dealer the Model, Color, and Serial Number of your machine to assist him in ordering and obtaining the correct parts. Use the exploded view and tabular listing of the area of interest to exactly identify the required part.

#1080 Snowblower

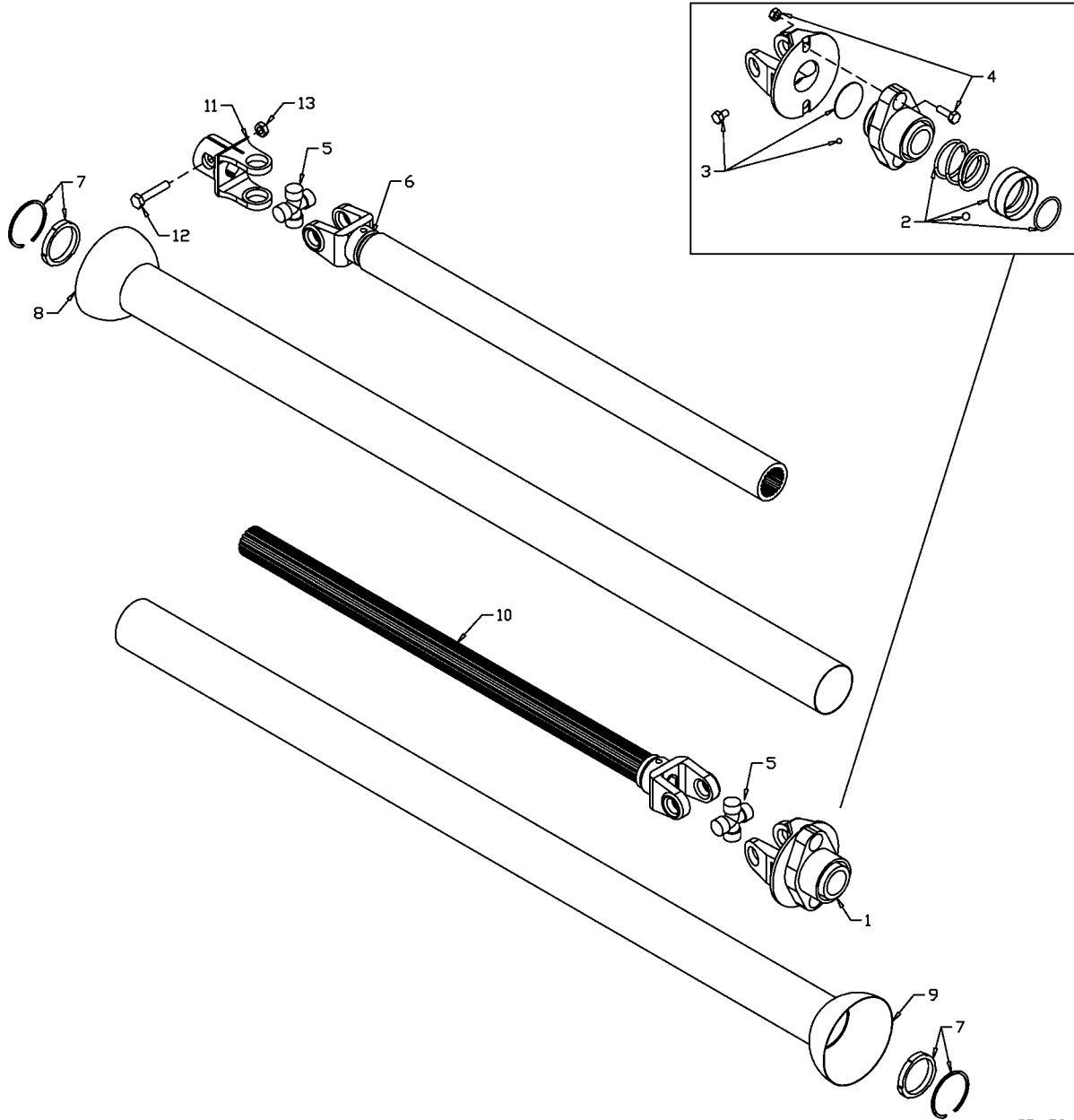
Item #	Part #	Description
1	906491	Main Body Weldment
2	F9244	3-point Hitch Weldment (902129)
3	965307	Lower Hitch Tube (4"SQ. X 29 1/2")
4	910191	Skid Plate Weldment
	F0947	Skid Plate Bundle
5	900712	Skid Pin
6	965205	Lower Hitch Tube Pin (1 1/4" X 5 1/2")
7	965206	Upper Hitch Tube Pin (1" X 4 3/8")
8	961012	#16 Hair Pin Clip
9	967461	Lift Pin Category 2-3
10	965910	Top Lift Pin (Category 2)
11	965911	7/16" Linch Pin
12	12779	#9 Hair Pin Clip
13	965209	Cutting Edge
14	965308	Jack Stand
15	965211	Chain Guard
16	965302	Hydraulic Swivel Arm
17	965213	Cylinder Arm Base
18	965654	3/8" X 80" Cable
19	964264	3/8" Cable Clamp
20	968632	1 1/2" Housing with Bearing - 4 Bolt
21	9812443	1 1/2" x 18GA Narrow Rim Washer
22	965215	Spout Clamp
23	967475	1/2" X 1 3/4" Flush Head Bolt (skt)
24	81637	1/2" Lock Washer
25	81636	1/2" Hex Nut
26	87553	1/2" X 1 3/4" Hex Bolt
27	81628	1/2" X 3 1/4" Hex Bolt
28	86170	3/8" X 1" Hex Bolt
29	81593	3/8" Lock Washer
30	81592	3/8" Hex Nut
31	9812487	1 1/4" x 10GA Narrow Rim Washer
32	81210	1/4" X 2" Cotter Pin
33	9812444	1 1/2" x 14GA Narrow Rim Washer
34	81678	5/8" BS Flat Washer

35	81677	5/8" Lock Washer
36	81676	5/8" Hex Nut
37	81549	5/16" X 3/4" Hex Bolt
38	81569	5/16" Lock Washer
39	81568	5/16" Hex Nut
40	965216	Auger (15" O.D. X 107 3/8" Long)
41	902902	4-Blade Fan Weldment
42	965294	Jack Stand Pin
43	F9231	Standard PTO (1 3/8" X 21 spline)
	F9232	Optional PTO (1 3/4" X 20 spline)
	F9233	540 RPM PTO (1 3/8" X 6 spline)
44	965280	Drive Shaft
45	965281	Drive Shaft Guard
46	965221	Shear Sprocket (13T, #80)
47	965222	Flighting Sprocket (40T, #80)
48	965282	Roller Chain (#80 X 109 link with Connector & Offset)
	965273	#80 Offset Link only
49	965224	Idler Sprocket (11T, #80, 3/4" bore)
50	965225	Idler Spacer (1 1/4" O.D. X 3/4" I.D. X 2 5/16" Long)
51	811751	3/4" X 5" Hex Bolt
52	81702	3/4" B.S. Flat Washer
53	81701	3/4" Lock Washer
54	81700	3/4" Hex Nut
55	81552	5/16" X 1 1/4" GR. 5 Hex Bolt
56	812362	5/16" Lock Nut
57	811792	3/8" X 1 1/2" Hex Bolt
58	965226	Fan Key (3/8" X 3/8" X 5")
59	968807	PTO Key (3/8" X 3/8" X 2")
60	965296	Bearing Spacer
61	963030	1/2" X 3" Sq. Hd. Set Screw
62	984077	1/2" Jam Nut
63	84270	5/8" X 1 3/4" Hex Bolt
64	F9241	Standard Spout Weldment
65	965647	1 1/2" Oil Seal Plate
66	967451	1/2" Solid Pipe Plug
67	967452	1" Solid Pipe Plug
68	24930	Cylinder 1.75DIA X 5.0 - 9/16" ORB
69	967453	Oil Seal (CR #15142)
70	960913	1/2" X 1 13/16" Clevis Pin
71	961876	1/2" X 1 1/2" Clevis Pin
72	9812430	1/8" X 1" Cotter Pin
73	F9243	Truckloader Spout Assembly 10' (965306 - Weldment)
	F9234	Truckloader Spout Assembly 7' (965309 - Weldment)
74	82111	#111 O-Ring

75	811791	1/2" X 2" Hex Bolt
76	965304	Spout Link - 28 1/8"
77	965305	Spout Link - 8 3/4"
78	965238	Cylinder Arm
79	965239	Hose Clamp
80	81620	1/2" X 1 1/4" Hex Bolt
81	812364	1/2" Lock Nut
82	965266	CAT. 2-3 Top Link Pin Bushing
83	965267	CAT. 2-3 Lift Arm Bushing
84	965268	Fan Housing Liner
85	967431	3/8" X 1" Flat Head Bolt
86	905609	5/8" X 2 1/4" Flat Head Bolt
87	810149	3/4" X 3 1/2" Hex Bolt
88	905630	3/4" X 5" Idler Bolt
89	906497	1 3/4" Housing w/ bearing (Ductile)
	965283	1 3/4" Bearing w/ collar
	906498	1 3/4" Ductile Housing Only
90	906499	2" Housing w/bearing (Ductile)
	967375	2" Bearing w/collar
	906500	2" Ductile Housing Only
91	84050	3/4" S.A.E. Flat Washer
92	985639	3/8"Dia x 1/2" Socket Set Screw
93	812365	3/4" Lock Nut
94	965821	3/8" x 1 3/4" Key
95	965284	3/8" x 3 3/4" Key
96	965285	1/2" x 4 1/2" Key
97	965286	Fan Shaft (2" x 23")
98	965667	Jack Shaft (2"/1 3/4" x 18 3/4")
99	965288	Idler Sprocket Spacer
100	965660	Gearbox Cover
101	965290	Chain Tightener Weldment
102	965269	Sprocket 15T, #80 DBL, 1 3/4" B
103	965270	Sprocket 28T, #80 DBL, 2" B
104	965271	Chain (#80 Dbl x 40 link with Connector)
105	965275	Gear 22T, 1 1/2" Bore
106	965274	Gear 22T, 2" Bore
107	906496	Gearbox Front Cover Plate
108	965655	PTO Guard
109	965295	Idler Shield
110	84299	5/8" x 2" Hex Bolt
111	965298	1 3/4" Bearing Cover (540 RPM only)
112	965299	540 RPM Fan Shaft
113	81638	1/2" BS Flat Washer
114	812026	5/16" x 1" Hex Bolt

115	115370	3/8" x 114" Hose w/90 Degree Elbow
116	905080	Idler Assembly - Parts Only
117	115371	3/8" x 156" Hose with fittings
	115369	3/8 x 156 Hose 1/2 MNPT x 9/16 SWFJIC
	811918	Elbow 90deg 9/16 SWMORB x 9/16 MJIC
	886786	Elbow 90deg 1/4" MNPT x 9/16" MJIC
118	902127	1/2" x 1 3/4" Gear Key (540 RPM)
119	936402	PTO Safety Chain
120	967433	5/8" x 3 1/4" Hex Bolt
121	812482	5/8" Lock Nut
122	84277	1/2" x 1 1/2" Hex Bolt
123	967164	Pound-In Grease Fitting
124	967135	1 1/2" x 10GA Narrow Rim Washer
125	967464	3/8" x 1 1/4" Sq Hd Set Screw
126	84270	5/8" x 1 3/4" Hex Bolt (pl) (540 RPM)
	968898	5/8" x 4" Sq Hd Set Screw (1000 RPM)
127	81624	1/2" x 2 1/4" Hex Bolt
128	907590	Spout Hose Holder
129	812482	5/8" Lock Nut
130	909277	Manual Holder

#1080 SNOWBLOWER PTO



SB-32

108" SNOWBLOWER PTO SHAFT PARTS LIST

Item #	Part #	Description
	F9231	Standard Shaft (21 Spline, 1 3/8") - 1000 RPM
	F9232	Optional Shaft (20 Spline, 1 3/4") - 1000 RPM
	F9233	540 RPM Shaft (6 Spline, 1 3/8")
1	936413	Standard Shear Assembly (21 Spl, 1 3/8")
	936422	Shear Hub Only (21 Spl, 1 3/8")
	936414	Optional Shear Assembly (20 Spl, 1 3/4")
	936423	Shear Hub Only (20 Spl, 1 3/4")
	936429	540 RPM Shear Assy (6 Spl, 1 3/8")
	936424	Shear Hub Only (6 Spl, 1 3/8")
	936428	Shear Yoke Only (All Sizes)
2	936415	Safety Slide Lock Repair Kit (20 Spl, 1 3/4")
	936199	Safety Slide Lock Repair Kit (7 & 21 Spl, 1 3/8")
3	936249	Shear Assy Repair Kit
4	908890	Shear Bolt - 3/8" x 1" (Gr.2) - 1000 RPM (Pack of 10)
	908846	Shear Bolt - 3/8" x 1" (Gr.8) - 540 RPM (Pack of 10)
5	936197	Repair Kit (Option)
	906548	Extended Life Repair Kit (Std)
6	936426	Yoke & Tube (Splined)
7	936417	Bearing & Snap Ring Kit
8	936418	Inner Guard
9	936419	Outer Guard
10	936425	Yoke & Shaft (Splined)
11	936421	Clamp Yoke
12	967433	5/8" x 3 1/4" Bolt
13	812482	5/8" Lock Nut

SHIPPING KIT AND BUNDLE NUMBERS

The following is a list of kit numbers for this product and the bundle numbers, descriptions, and quantities for each kit.

QUANTITY	BUNDLE NO.	DESCRIPTION
Y1080C 1000 RPM WITH STANDARD SPOUT		
1	F9244	Hitch
1	F9241	Standard Spout
1	F0198	Body Assembly
1	F0560	Deflector Cylinder & Hose Kit
1	F9231	PTO 1000 rpm (1 3/8" x 21 spline)
Y1080CT 1000 RPM WITH TRUCKLOADER SPOUT		
1	F9244	Hitch
1	F9243	10' Truckloader Spout
1	F0198	Body Assembly
1	F9118	Deflector Cylinder & Hose Kit
1	F9231	PTO 1000 rpm (1 3/8" x 21 spline)
Y1080D 540 RPM WITH STANDARD SPOUT		
1	F9244	Hitch
1	F9241	Standard Spout
1	F0200	Body Assembly
1	F0560	Deflector Cylinder & Hose Kit
1	F9233	PTO 540 rpm (1 3/8" x 6 spline)
Y1080DT 540 RPM WITH TRUCKLOADER SPOUT		
1	F9244	Hitch
1	F9243	Truckloader Spout
1	F0200	Body Assembly
1	F9118	Deflector Cylinder & Hose Kit
1	F9233	PTO 540 rpm (1 3/8" x 6 spline)

OPTIONAL BUNDLE NUMBERS:

The following is a list of options available for the Kits listed above.

F9116	Swivel Arm Cylinder & Hose Kit
F9232	1000 rpm PTO (1 3/4" x 20 spline)
F9233	540 rpm PTO (1 3/8" x 6 spline)
Y907	7' Truckloader Spout - c/w Cylinder & Hoses
Y910	10' Truckloader Spout - c/w Cylinder & Hoses

NOTES

NOTES

DIVISION LOCATIONS

Farm King Division
301 Mountain Street S.
Morden, MB R6M 1X7
Ph.: (204) 822-4467
Fax: (204) 822-6348

Allied/Inland Division
1260 Clarence Avenue
Winnipeg, MB R3T 1T2
Ph.: (204) 284-6100
Fax: (204) 477-2325

B.I.I. Division
1330 43rd Street N.W.
Fargo, ND 58102
Ph: (701) 282-7014
Fax: (701) 282-5865

U.S. WAREHOUSES

AR, West Memphis
(870) 732-3132

GA, Stone Mountain
(770) 908-9439

ID, Meridian
(208) 887-6006

IN, Clarksville
(812) 284-3376

KS, Wichita
(316) 265-9577

MN, Lakeville
(952) 469-5267

MT, Billings
(406) 248-7771

ND, Bismarck
(701) 223-1886

ND, Fargo
(701) 282-7003

NE, Blair
(402) 426-8211

OH, Youngstown
(330) 793-0862

OR, Beaverton
(503) 641-1865

SD, Huron
(605) 352-8616

TX, Houston
(713) 928-2632

UT, Salt Lake City
(801) 972-4321

WI, Portage
(608) 742-1370

CANADIAN WAREHOUSES

B.C., Abbotsford
(604) 864-2665

AB, Edmonton
(780) 962-6991

SK, Regina
(306) 781-2300

ON, Woodstock
(519) 539-0435

QC, Dorion
(450) 455-4840

OFFSHORE WAREHOUSES

Burando Hill
Katanning
W. Australia
011-618-98-214422

Chihuahua, Mexico
011-52-158-90306

John Kerr Equipment Ltd.
Wilcoxholm Farm
Linlithgow, W. Lothian
Scotland
011-441-506-842280

Skovde, Sweden
011-46-500-452651

Naestved, Denmark
011-45-557-29511

bühler

Buhler Manufacturing

**301 Mountain Street S.
Morden MB.
R6M 1X7
Ph.: (204) 822-4467
Fax: (204) 822-6348
www.buhler.com**