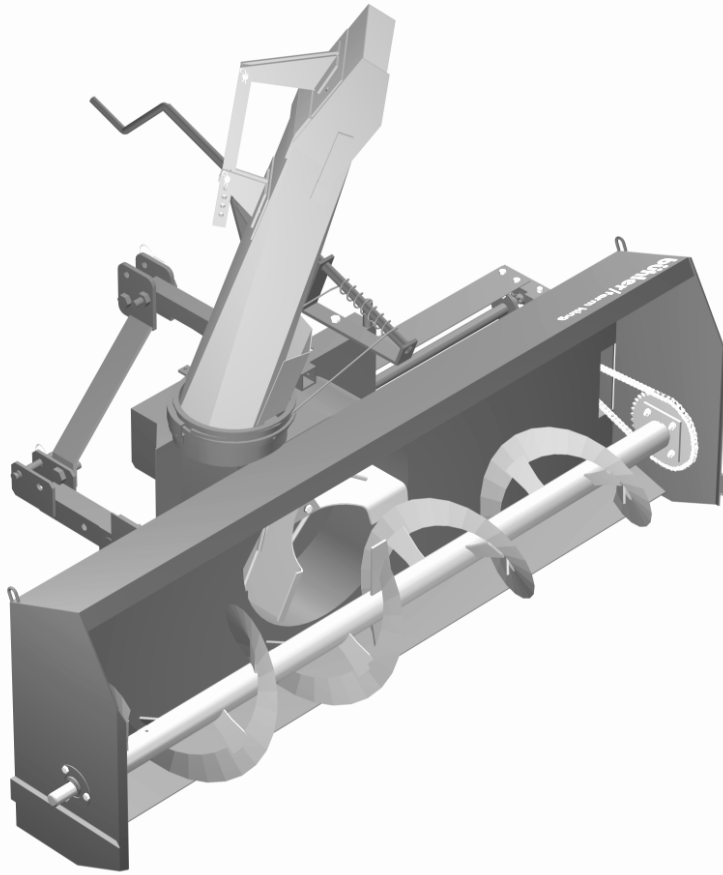


# bühler

---

## farm king



### **740, 840, & 840G Snowblowers**

Operator's and Parts Manual  
FK313

2006

**TABLE OF CONTENTS**

<b>DESCRIPTION</b>	<b>PAGE</b>
Warranty .....	1
Safety Instructions & Safety Sign Locations .....	2
Operating Instructions .....	3
Assembly Instructions .....	5
Refilling #840G Gearbox.....	8
Snowblower Drawings.....	9
Snowblower Parts List.....	13
840G Gearbox Drawing & Parts List .....	16
Snowblower PTO Drawing .....	17
PTO Parts Lists.....	18
Cylinder Assembly Drawings & Parts Lists .....	20
Shipping Bundles .....	21

## WARRANTY POLICY

Buhler Manufacturing products are warranted for a period of twelve (12) months (90 days for commercial application) from original date of purchase, by original purchaser, to be free from defects in material and workmanship under correct, normal agricultural use and proper applications.

Buhler Manufacturing's obligations under this warranty shall be limited to the repair or exchange, at Buhler Manufacturing's option, of any Buhler Manufacturing product or part which proves to be defective as provided. Buhler Manufacturing reserves the right to either inspect the product at the buyer's location or have it returned to the factory for inspection.

The above warranty does not extend to goods damaged or subject to accident, abuse or misuse after shipment from Buhler Manufacturing's factory, nor to goods altered or repaired by anyone other than an authorized Buhler Manufacturing representative.

Buhler Manufacturing makes no Express Warranties other than those, which are specifically described. Any description of goods, including any references and specifications in catalogues, circulars and other written material published, is for the sole purpose of identifying goods and shall conform to such descriptions. Any sample or model is for illustrative purposes only and does not create an Express Warranty that the goods conform to sample or model shown.

The purchaser is solely responsible for determining suitability of goods sold. This warranty is expressly in lieu of all other warranties expressed or implied. Buhler Manufacturing will in no event be liable for any incidental or consequential damages whatsoever. Nor for any sum in excess of the price received for the goods for which liability is claimed.

### **WARRANTY CLAIMS:**

Warranty requests must be prepared on Buhler Manufacturing Warranty Claim Forms with all requested information properly completed. Warranty Claims must be submitted within a thirty (30) day period from date of failure repair.

### **WARRANTY LABOR:**

Any labor subject to warranty **must** be authorized by Buhler Manufacturing. The labor rate for replacing defective parts, where applicable, will be credited at 100% of the dealer's posted shop rate. Defective parts will receive an extra 10% discount to assist with freight or other incidental costs.

### **GOVERNMENT LEGISLATION:**

Warranty terms and conditions are subject to Provincial or State legislation.

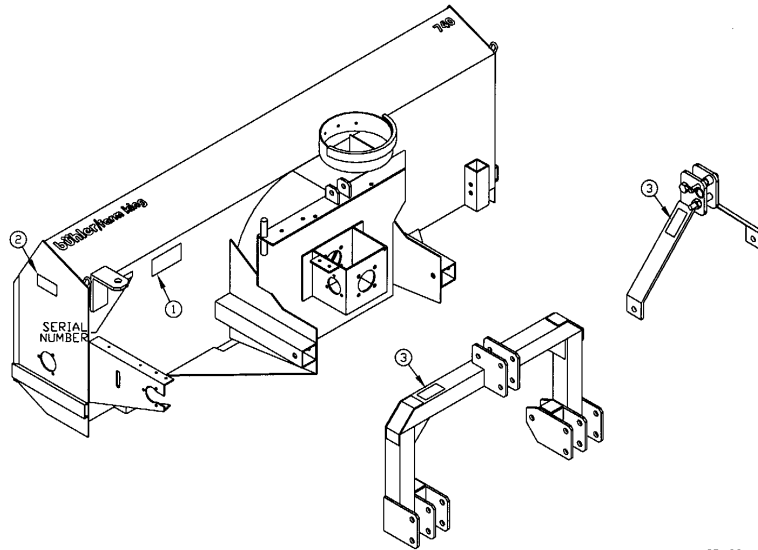
### **IMPORTANT FACTS:**

Buckets and Bucket Tines Carry No Warranty  
Bent Spears Carry No Warranty  
Snowblower Fan Shafts Carry No Warranty  
Mower Blades Carry No Warranty  
Portable Auger Parts Have Two (2) Year Warranty  
Loader Parts Have Two (2) Year Warranty

**IMPORTANT NOTE: This warranty does not apply to rentals**

## SNOWBLOWER

This manual is for model #740 & #840 snowblowers with an open gear gearbox and for model #840G snowblower, which has a sealed oil bath gearbox. When ordering parts, specify model number and serial number. The snowblower is the push type and will mount to a tractor with a 540 rpm PTO. It is supplied with category 1 pins and also bushings, which convert the pins to a category 2. A category 1 quick hitch fits on all three sizes. A category 2 quick hitch also fits #840 and #840G models. This 84" wide snowblower comes with a hydraulic chute control as standard equipment. A hand crank chute control is available. There is a shear bolt on the auger and on the PTO shaft to protect the machine from damage if a large object is picked up. Any smaller objects in the snow will be thrown with it and could cause serious injury. Do not let anyone stand behind the tractor in the area of the discharged snow.



SB-06

<span style="font-size: 2em; font-weight: bold; margin-left: 10px;">CAUTION</span>
<ol style="list-style-type: none"> <li>1. Keep all shields in place.</li> <li>2. Disengage all power when servicing or unplugging machine.</li> <li>3. Keep hands and clothing away from all moving parts.</li> </ol>
<small>963206</small>

<span style="font-size: 2em; font-weight: bold; margin-left: 10px;">DANGER</span>
<span style="font-weight: bold; font-size: 1.2em;">STAND CLEAR WHEN MACHINE IN OPERATION</span>
<small>102893</small>



#2

#1



<span style="font-size: 2em; font-weight: bold; margin-left: 10px;">WARNING</span>
<span style="font-weight: bold; font-size: 1.1em;">CHECK PTO SHAFT LENGTH BEFORE RAISING OR LOWERING IMPLEMENT. SHAFT MUST NOT BOTTOM OR SEPERATE (SEE MANUAL)</span>
<small>108431</small>

#3

## OPERATING INSTRUCTIONS

1. Do not operate the blower in the fully raised position. The three-point hitch on some tractors raises high enough to cause the PTO shaft to bind. This can cause damage to the PTO shaft and/or to the hitch and pins.  
 **NOTE:** PTO shaft angle should not exceed 20 degrees for optimum performance and life. Damage may occur to PTO and/or Snowblower if angle becomes more extreme.
2. Depth of cut can be partially controlled by tilting the blower forward or backward. Adjust the top link of the tractor hitch so the snowblower is just slightly tilted back when resting on the ground.  **Caution:** Excessive backward tilt may cause the "U" joints to flutter resulting in PTO shear bolt failure.
3. Adjust the lower link sway chains or blocks on the tractor to restrict side movement of the blower when operating.
4. Run the blower at low rpm to check operation before blowing snow.
5. The snowblower has two shear bolts to protect the tractor and blower in case a large object enters the blower. PTO shear bolt (Two 5/16" x 1"-Grade 5) Auger shear bolt (1/4" x 1"-Grade 5). Shear bolts should be fastened with a lock nut or two jam nuts. These bolts must be kept tight to prevent wear of the bolt and bolt holes.
6. Never run PTO shaft at over 600 rpm.
7. Chain tension: Slack on the lower side of the chain should be 3/8 to 1/2 inch.
8. Lubrication:
  - a) The spout clamps and rings should be periodically lubricated with gun grease.
  - b) PTO shaft universal joints and square shaft slide should be greased daily.
  - c) Regularly oiling the chain will significantly increase the life of the chain.
  - d) The grease fitting on the hydraulic spout swivel arm should be kept lubricated.
  - e) For #740 & #840 only: Gearbox is open type and need not be greased or lubricated.  
For #840G only: See Section on refilling for correct oil level. Use any 80-90 gear oil or multigrade with 80 minimum.

**OPERATING INSTRUCTIONS – cont'd.**

9. Periodically check all bolts for tightness. The bolt holding on the fan and the bearing bolts are of particular importance.
10.  **Danger:** Always stop blower for servicing or unplugging. The PTO should be disengaged before dismantling from the tractor.
11.  **CAUTION:** Always check to see that both ends of the PTO shaft are securely attached as per instructions every time you are preparing to use the snowblower.
12. Shear Sprocket: The Shear Sprocket (#52) should be checked at the beginning of every season to make sure it will spin freely. With time this sprocket could corrode and seize which will not allow the shear bolt to break if something jams in the snowblower auger. Clean to loosen if necessary.
13. When replacing bearings or tightening a loose bearing collar, always tighten collar in the direction of shaft rotation using a center punch or a similar tool.

**ASSEMBLY INSTRUCTIONS**

- #740:** Turn the bottom tube weldments (#9) as shown in drawing and slide them into the sleeve welded to the main body.


**#840 & #840G:** Turn the bottom tubes (#93) as shown in drawing and slide them into the sleeve welded to the main body.

**ALL SIZES:** The correct position for each individual tractor will be determined when mounting the snowblower on the tractor. These tubes are connected to the tractor with a  $\frac{3}{4}$ " x 4  $\frac{1}{4}$ " pin (#96) and a hair pin clip (#104).
- #740:** Bolt the left (#20) and the right (#21) a-frames to the inside of the plates welded to the hitch tubes using  $\frac{7}{8}$ " x 2  $\frac{1}{2}$ " hex bolts (#102) and lock nuts. Join the top of the hitch arms by bolting a 1" o.d. x 2" spacer (#100) between the top plates using a  $\frac{3}{4}$ " x 4" bolt, lock washer and hex nut through the lower outside holes. Bolt the upper hitch tube weldment (#47) between the same plates using the same size of bolt. Use the inside holes on the top plates for the upper tube. The other end of the top hitch tube bolts between the welded brackets on the top edge of the fan housing with the same hardware. Tube must be turned as shown in drawing. Tighten all hardware.

**#840 & #840G:** Turn the hitch weldment (#4) as shown in drawing. Bolt the hitch to the two bottom tubes (#93) using  $\frac{7}{8}$ " x 5" bolts (#103) and lock nuts. The upper hitch tube (#80) bolts to the top of the hitch and the welded brackets on the top edge of the fan housing using  $\frac{3}{4}$ " x 4" bolts (#97), lock washers and hex nuts. Tube must be turned as shown in drawing. Tighten all hardware.
- #740:** A category 1 top link pin (#18) is fitted in the top holes of the hitch arm plates. This pin is used for standard three-point hitch only. The bushing in the lower holes is used for the quick hitch.


**#840 & #840G:** The hitch fits standard category 1 and 2 three-point hitches as well as category 1 and 2 quick hitches. The highest and lowest holes are for standard three-point only. The inside set of holes must be used for a quick hitch. Adaptor bushings are supplied to convert from category 1 or 2.
- Mount the discharge spout (#6) using the spout clamps (#59) bolted to the spout ring on the snowblower. Lubricate the spout ring and clamps.

**ASSEMBLY INSTRUCTIONS – cont'd.**

5. Hydraulic spout swivel:
  - a) Mount the swivel arm (#60) onto the swivel pin welded to the back corner of the fan housing using a 1" I.D. washer (#29) and a 3/16" x 1 1/2" cotter pin (#62).
  - b) Wrap cable (#61) around spout and clamp to the ends of the swivel using 3/16" cable clamps (#17).
  - c) With the swivel in extended position (i.e. cylinder fully extended) and the spout turned to the right, clamp the cable to the spout cable anchor using a 1/4" cable clamp (#84). Ensure that the spout is not jammed and that there is no slack in the cable.
  - d) Use a standard 8" stroke cylinder (20 1/4" min., 28 1/4" max. pin centers).
  - e) **Note:** A hydraulic cylinder and hose kit to control the spout deflector is available as an option.
  
6. Hand Crank (Option):
  - a) Fasten hand crank assembly (#5) using two 1/2" x 1 1/4" hex bolts, lock washers and hex nuts.
  - b) Thread cable (#7) through hole in hand crank to even lengths and wrap around the tube to each side of the hole four turns in opposite directions.
  - c) Turn spout to center forward position and clamp cable to cable anchor on far side of spout using clamp (#84).
  
7. Mounting blower on tractor:
  - a) Mount the blower on a tractor with a category 1 or category 2 hitch.
  - b) Using tape or bright colored marking pen, mark on the outer shields the position where the shaft is completely pushed together and the position where you have a 4" overlap. Watch these marks when moving the blower through all possible operating angles to see that the PTO shaft stays within this range.
  - c) With the engine on the tractor shut off, attach the PTO shaft. The tractor end has a standard 6-spline end with a spring loaded locking collar. The Snowblower end has a clamp-style yoke with a 3/8" keyway. Slide the yoke onto the gearbox shaft with the 3/8" key supplied. Lock the yoke in place with the 1/2" x 3" hex bolt and lock nut fitted through the groove in the gearbox shaft. After tightening the bolt, insert and tighten the 3/8" socket set screw supplied. **CAUTION**  Always check to see that both ends of the PTO shaft are securely attached every time the Snowblower is used. This should always be done with the Tractor engine off.
  - d) Check that the PTO shaft does not bottom or separate with the blower in the extreme high and low positions. A longer optional PTO shaft is available if the standard shaft is too short. Check for free movement of all parts in various raised positions; particularly the PTO shaft .

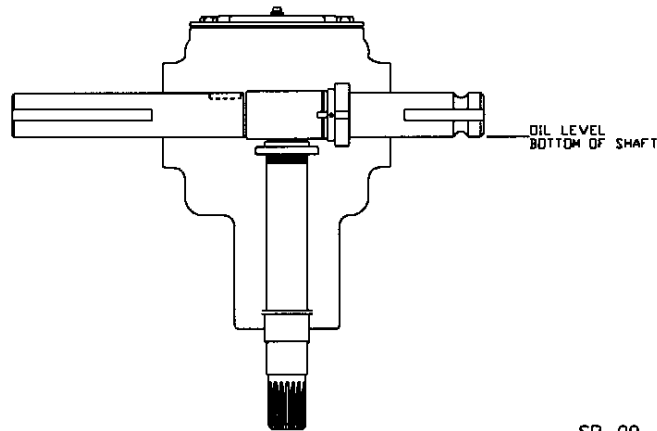


**ASSEMBLY INSTRUCTIONS – cont'd.**

8. PTO Shield: All snowblowers are supplied with a PTO shield. Bolt the shield (#74) to the hinges on the top of the gearbox on both the #740 and #840 snowblowers using  $\frac{1}{4}$ " x  $\frac{1}{2}$ " hex bolts, lock washers and hex nuts. Insert a  $\frac{3}{16}$ " cotter pin in the hole in the shield and in the hole at the bottom corner of the gearbox. Fold back the cotter pins to hold them in place. Hook the ends of the spring (#71) into these cotter pins to hold the shield down. To mount the shield (#74) on the #840G snowblower, remove the two rear bolts at the top of the gearbox (#63). Bolt the PTO shield to the gearbox plate using these same bolts. Insert a  $\frac{3}{16}$ " cotter pin in the hole in the shield and fold to lock in place. Hook one end of the spring (#71) into this cotter pin and the other end into a hole in the lower gearbox plate to hold the shield in place.  **CAUTION:** Do not run the snowblower without this shield in place.

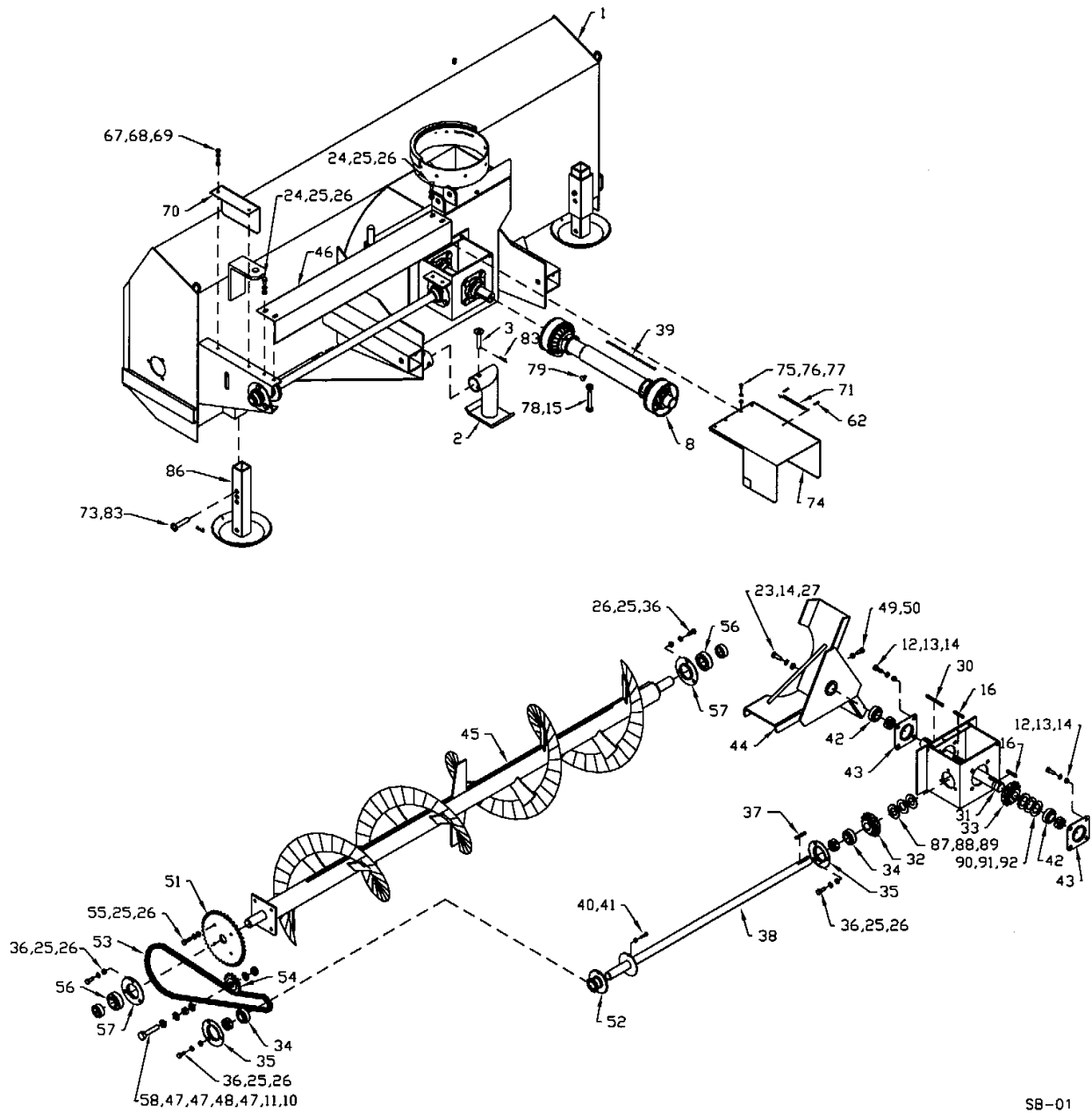
**REFILLING GEARBOX WITH OIL: #840G ONLY**

If the gearbox requires refilling with oil because of repairs to the gearbox, add oil to the level shown in the drawing. Check the level regularly using the plug in the lid. The correct level is even with the bottom of the plug.

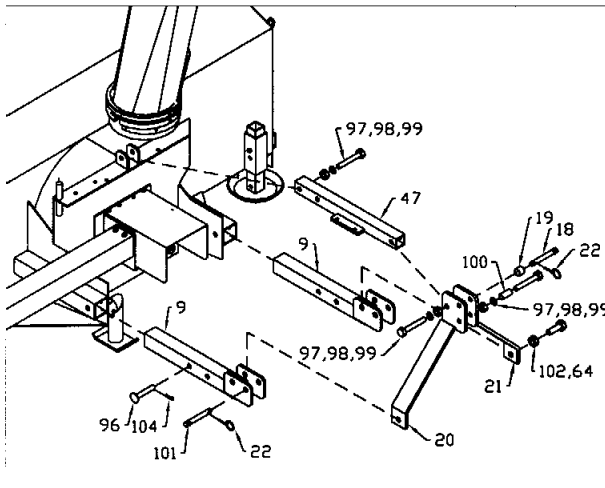
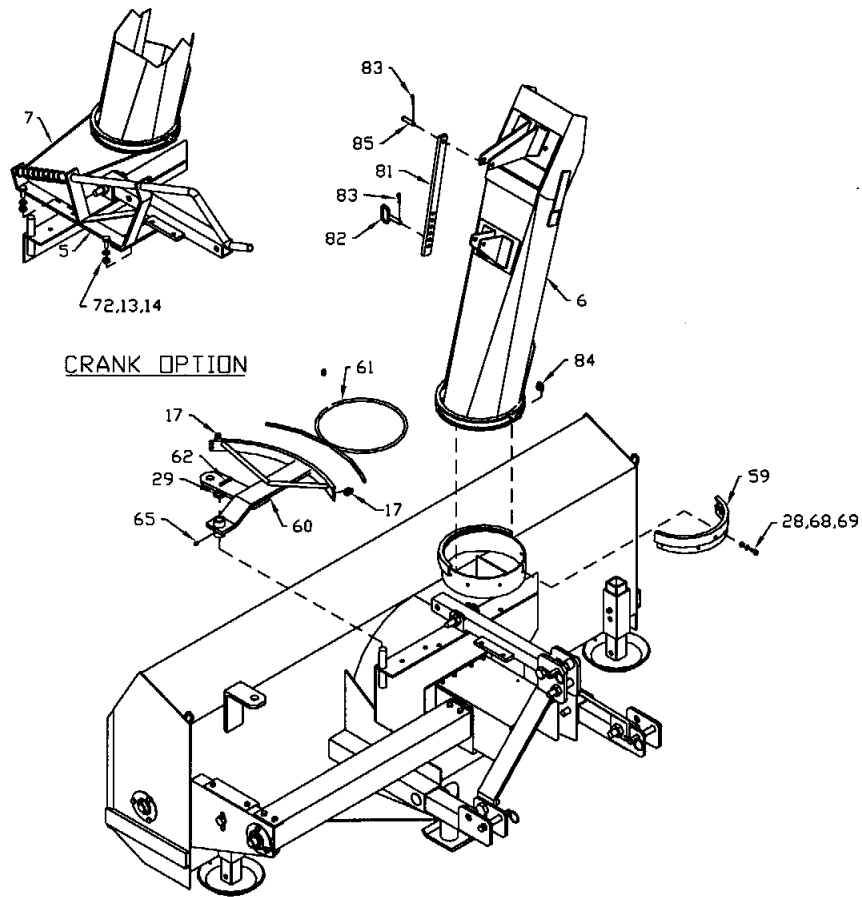


SB-09

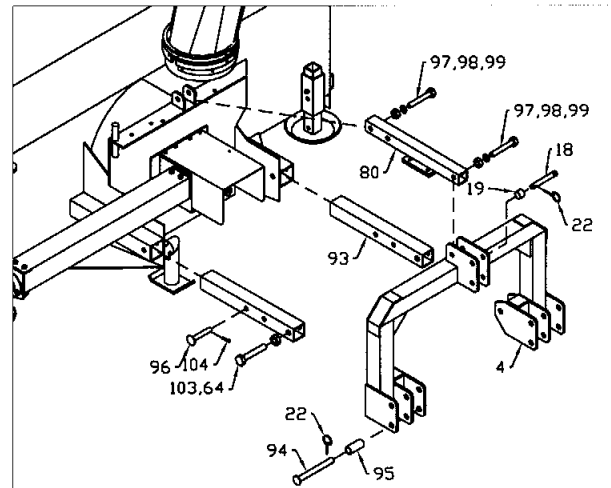
## 740 & 840 SNOWBLOWERS



SB-01

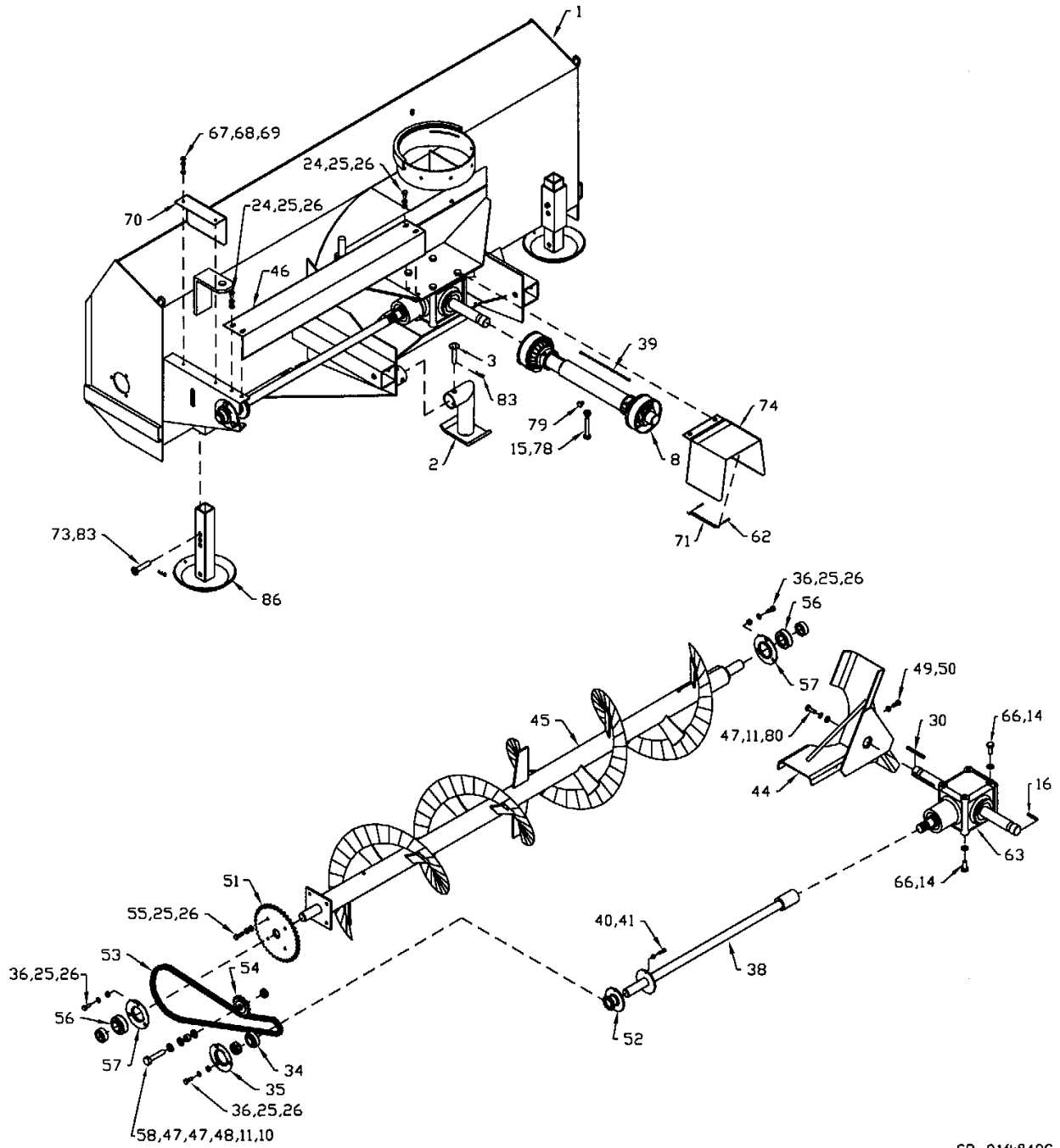


STD. 740 FK HITCH - CAT. 1 (A-FRAME)

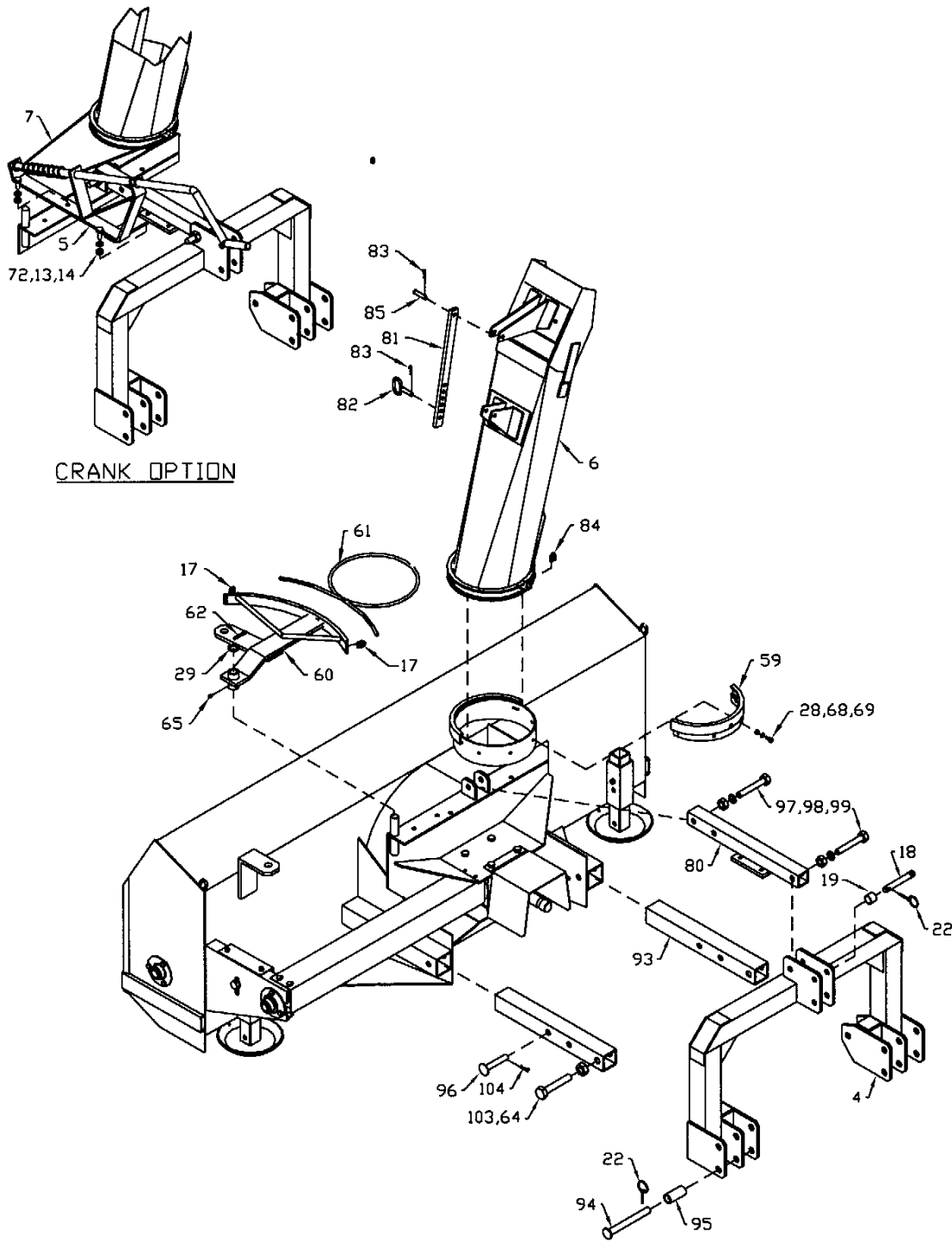


STD 840 (OPT. 740) FK HITCH - CAT. 1 & 2 (HEAVY FRAME)

#840G SNOWBLOWER



SB-01f#840G



SB-02fk840G

## WHEN ORDERING PARTS

Always give your dealer the Model, Color and Serial Number of your machine to assist him in ordering and obtaining the correct parts. Use the exploded view and tabular listing of the area of interest to exactly identify the required part.

### #740, #840, & #840G SNOWBLOWERS

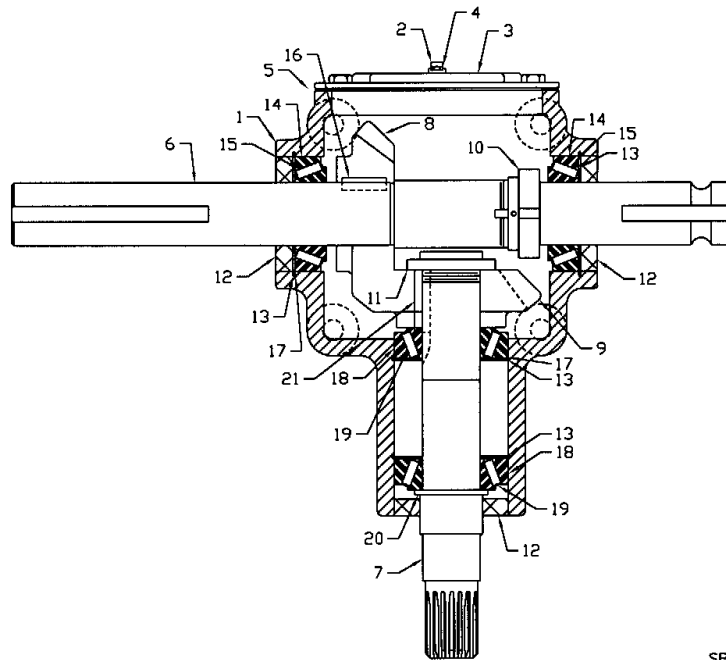
ITEM	PART #	DESCRIPTION
1	907241	Main Body (#740)
	907235	Main Body (#840)
	907240	Main Body (#840G)
2	907244	Stand Weld't - 8" Tall
3	965294	Stand Pin Weld't 9/16" x 2 7/8"
4	F0463	Hitch Weld't (Cat. 1 & 2)
5	965803	Hand Crank
6	965653	Discharge Spout
7	965927	3/16" Cable x 100" Long
8	F842	PTO Shaft (Standard)
	F844	PTO Shaft (Optional Long)
9	907213	Btm Tube Weld't 20 5/8" Lg
10	81676	5/8" Hex Nut (pl)
11	81677	5/8" Lock Washer (pl)
12	81620	1/2" x 1 1/4" Hex Bolt (pl)
13	81636	1/2" Hex Nut (pl)
14	81637	1/2" Lock Washer (pl)
15	81627	1/2" x 3" Hex Bolt (pl)
16	965821	3/8" x 1 3/4" Key
17	965806	3/16" Cable Clamp
18	965807	Top Link Pin (Cat.1)
19	965808	Top Link Pin Bushing (Cat.1-2)
20	907214	A-Frame - LH (Cat. 1)
21	907215	A-Frame - RH (Cat. 1)
22	965911	7/16" Linch Pin
23	84277	1/2" x 1 1/2" Hex Bolt (pl)
24	84072	3/8" x 3/4" Hex Bolt (pl)
25	81593	3/8" Lock Washer (pl)
26	81592	3/8" Hex Nut (pl)
27	81638	1/2" B.S. Flat Washer (pl)
28	812026	5/16" x 1" Hex Bolt (pl)
29	967140	1" x 10Ga Narrow Rim Washer (pl)
30	902377	Fan Key - 3/8" x 4 3/4"
	965814	3/8" x 4 1/4" Key (#840G Only)
31	965835	Fan Shaft, 1 1/2" x 16 3/4"
32	965816	Bevel Gear - 1 1/4" Bore

33	965817	Bevel Gear - 1 1/2" Bore
34	965818	1 1/4" Bearing w/ Collar
35	961637	Bearing Retainer (Set)
36	86170	3/8" x 1" Hex Bolt (pl)
37	901940	5/16" x 1 1/4" Key (#740 & #840)
38	965413	Drive Shaft (#740), 1 1/4" x 37 1/4"
	965402	Drive Shaft (#840), 1 1/4" x 42 1/4"
	965403	Drive Shaft (#840G), 1 1/4" x 34"
39	936402	PTO Safety Chain
40	81527	1/4" x 1" Hex Bolt (pl)
41	84498	1/4" Lock Nut (pl)
42	968627	1 1/2" Bearing With Collar
43	967260	1 1/2" Bearing Retainer (Set)
44	965822	Fan (Standard 3-Blade)
	965447	Fan (Optional 4-Blade)
45	965414	Auger (#740)
	965405	Auger (#840 & #840G)
46	965415	Drive Shaft Guard (#740)
	965404	Drive Shaft Guard (#840 & #840G)
47	907218	Hitch Tube Weld't 22"Lg
48	965834	Idler Spacer, 5/8" Long
49	84111	1/2" x 1 1/4" Sq. Hd. Set Screw (pl)
50	984077	1/2" Jam Nut (pl)
51	965825	40 Tooth Sprocket, #50
52	965826	13 Tooth Sprocket, #50 (Shear)
53	965827	Roller Chain (#50 x 98 Link w/ Conn)
54	965844	15 Tooth Idler Sprocket, #50
55	86171	3/8" x 1 1/4" Hex Bolt (pl)
56	965917	1 3/8" Bearing With Collar
57	961675	Bearing Retainer (Set)
58	84289	5/8" x 3" Hex Bolt (pl)
59	965416	Spout Clamp
60	907820	Swivel Arm
61	965832	3/16" x 62" Cable
62	9812433	3/16" x 1 1/2" Cotter Pin (pl)
63	BU50506	Gearbox w/o Oil (#840G)
64	907674	7/8" Lock Nut
65	967164	Pound-In Grease Nipple
66	81619	1/2" x 1" Hex Bolt (pl)
67	81549	5/16" x 3/4" Hex Bolt (pl)
68	81569	5/16" Lock Washer (pl)
69	81568	5/16" Hex Nut (pl)
70	965968	Idler Shield
71	960135	PTO Shield Spring
72	87553	1/2" x 1 3/4" Hex Bolt (pl)



73	900712	Skid Pin Weldment
74	965409	PTO Shield (#840G)
	965410	PTO Shield (#740 & #840)
75	81523	1/4" x 1/2" Hex Bolt (pl)
76	81545	1/4" Lock Washer (pl)
77	81544	1/4" Hex Nut (pl)
78	812364	1/2" Lock Nut (pl)
79	988999	3/8" x 3/8" Socket Set Screw
80	907221	Upper Hitch Tube Weld't 21" Lg (Cat 1 & 2)
81	965646	Spout Adjustment Bar
82	903523	1/2" x 1 1/2" Adjustment Pin Weldment
83	961012	#16 Hair Pin Clip
84	961658	1/4" Cable Clamp
85	961876	1/2" x 1 1/2" Clevis Pin (pl)
86	902407	Skid Plate Weldment
87	9812487	1 1/4" x 10ga Narrow Rim Washer (pl)
88	967110	1 1/4" x 14ga Narrow Rim Washer (pl)
89	9812439	1 1/4" x 18ga Narrow Rim Washer (pl)
90	967135	1 1/2" x 10ga Narrow Rim Washer (pl)
91	9812444	1 1/2" x 14ga Narrow Rim Washer (pl)
92	9812443	1 1/2" x 18ga Narrow Rim Washer (pl)
93	907250	Hitch Inner Tube 20 5/8" Lg (Cat 1 & 2)
94	907315	Pin 7/8" x 7 3/4" (Cat 1 & 2)
95	907316	Pin Sleeve 1 1/8" x 2 7/8"Lg (Cat 1 & 2)
96	905821	Pin Rod 3/4" x 4 1/4" Lg
97	84336	3/4" x 4" Hex Bolt (pl)
98	81701	3/4" Lock Washer (pl)
99	81700	3/4" Hex Nut (pl)
100	965808	Sleeve 1" OD x 2" Lg
101	967361	Pin 7/8" x 4" Lg
102	966527	7/8" x 2 1/2" Lg Hex Bolt
103	811826	7/8" x 5" Hex Bolt
104	12779	#9 Hair Pin Clip

**840G SNOWBLOWER GEARBOX**

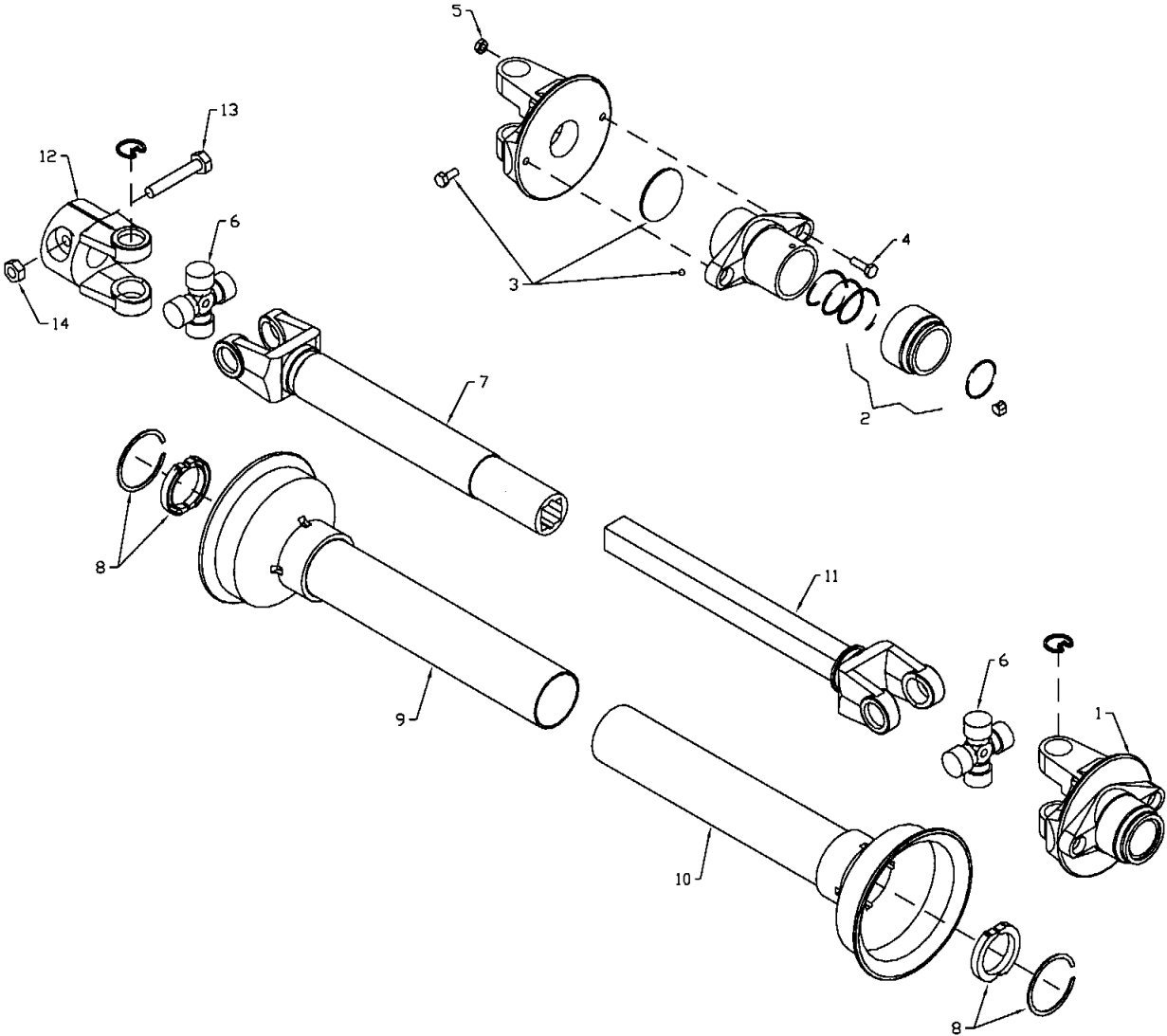


SB-05

**MODEL #840 G SNOWBLOWER GEARBOX PARTS LIST**

Item #	Part #	Description
	BU50506	Gearbox Complete
1	BU50310	Gearbox Casting Only
2	BU500089-3	Pipe Plug
3	BU50457	Gearbox Cover
4	BU500167-1	Relief Valve
5	BU50458	Gearbox Gasket
6	BU50508	Cross Shaft
7	BU50502	Pinion Shaft
8	BU50329	Bevel Gear - 1 1/2" Bore
9	BU50331	Bevel Gear - 1 3/8" Bore
10	BU50428	Staking Lock Nut
11	BU50444	Staking Lock Nut
12	BU50422-1	Oil Seal (3 Used)
13	BU50415	Retainer Ring (4 Used)
14	BU575902	Bearing Cup (2 Used)
15	BU575901	Bearing Cone (2 Used)
16	BU50429	Key
17	BU50210X	Shim Set
18	BU575907	Bearing Cup (2 Used)
19	BU575906	Bearing Cone (2 Used)
20	BU278811	Retainer Ring
21	BU50417-1	Key

#740, #840, #840G SNOWBLOWER PTO



SB-12

**SNOWBLOWER PTO (STANDARD)**

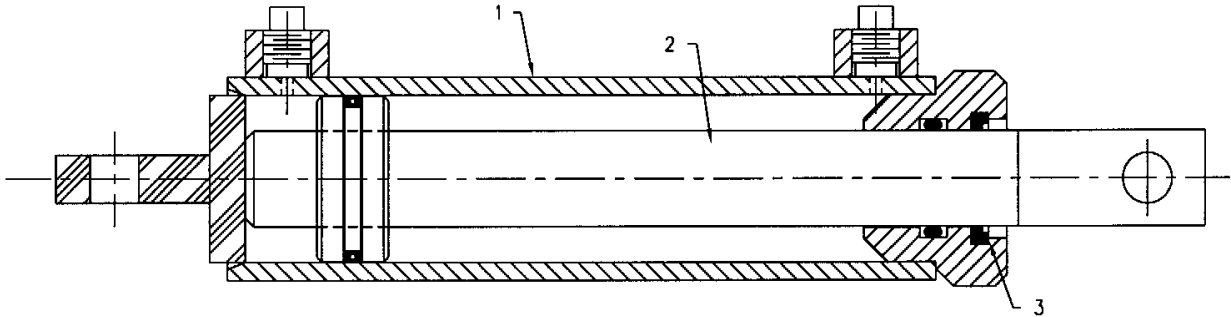
<b>Item #</b>	<b>Part #</b>	<b>Description</b>
	F842	Shaft Complete
	936263	Tractor Half of PTO (Shear)
	936264	Implement Half of PTO (Clamp Yoke)
1	936277	Shear Assembly
2	936199	Safety Slide Lock Repair Kit (Collar, Spring, Ret. Ring, 2-Pawls)
3	936249	Shear Assembly Repair Kit (3/8" x 1/2" Bolt, Lube, Blank, 31 - 1/4" Balls)
4	903296	Shear Bolt - 5/16" x 1" (Grade 5) (Pack of 10)
5	812362	5/16" Lock Nut
6	936025	Repair Kit (Option)
	906504	Extended Life Repair Kit (Std)
7	936270	Yoke & Tube
8	936319	Bearing & Snap Ring Kit
9	936272	Inner Shield
10	936273	Outer Shield
11	936274	Yoke & Shaft
12	936269	Clamp Yoke
13	81627	1/2" x 3" Hex Bolt (pl)
14	812364	1/2" Lock Nut (pl)

**SNOWBLOWER PTO (OPTIONAL LONG)**

<b>Item #</b>	<b>Part #</b>	<b>Description</b>
	F844	Shaft Complete
	936285	Tractor Half of PTO (Shear)
	936280	Implement Half of PTO (Clamp Yoke)
1	936277	Shear Assembly
2	936199	Safety Slide Lock Repair Kit (Collar, Spring, Ret. Ring, 2-Pawls)
3	936249	Shear Assembly Repair Kit (3/8" x 1/2" Bolt, Lube, Blank, 31-1/4" Balls)
4	903296	Shear Bolt - 5/16" x 1" (Grade 5) (Pack of 10)
5	812362	5/16" Lock Nut
6	936025	Repair Kit (Option)
	906504	Extended Life Repair Kit (Std)
7	936281	Yoke & Tube
8	936319	Bearing & Snap Ring Kit
9	936282	Inner Shield
10	936283	Outer Shield
11	936284	Yoke & Shaft
12	936269	Clamp Yoke
13	81627	1/2" x 3" Hex Bolt (pl)
14	812364	1/2" Lock Nut (pl)

**1.75 X 5 CYLINDER ASSEMBLY**

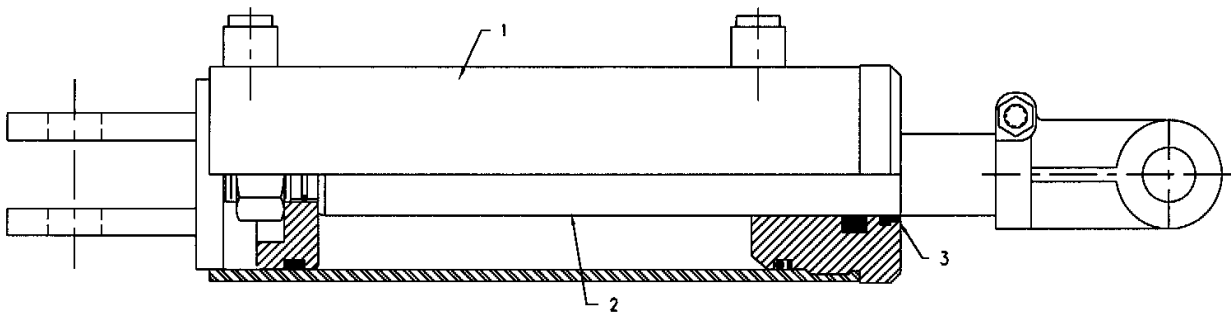
Item #	Part #	Description
	24930	Cyl Complete
1	115367	Tube Weldt
2	112104	Shaft Weldt 1.0 Dia
3	X2669	Seal Kit



24930

**3.5 x 8 CYLINDER ASSEMBLY**

Item #	Part #	Description
	24803	Cyl Complete
1	24804	Tube Weldt
2	113934	Piston Rod 1.5 Dia
3	X2098	Seal Kit



24803

**740, 840 & 840G FARM KING SNOWBLOWER BUNDLES****QUANTITY BUNDLE NO. DESCRIPTION****#740 Snowblower w/hydraulic chute control, 3-blade fan – Y740**

1	F0458	Body Assembly
---	-------	---------------

**#740 Snowblower w/hydraulic chute control, 4-blade fan – Y740-4**

1	F0459	Body Assembly
---	-------	---------------

**#840 Snowblower w/hydraulic chute control, 3-blade fan – Y840**

1	F0454	Body Assembly
1	F0463	Hitch

**#840 Snowblower w/hydraulic chute control, 4-blade fan – Y840-4**

1	F0455	Body Assembly
1	F0463	Hitch

**#840G Snowblower w/hydraulic chute control, 4-blade fan – Y840G**

1	F0456	Body Assembly
1	F0463	Hitch

**#840G Snowblower w/hydraulic chute control, 4-blade fan – Y840G-4**

1	F0457	Body Assembly
1	F0463	Hitch

**OPTIONS AVAILABLE**

- F844 – 36" Optional long PTO
- F842 – Standard PTO
- F9102 – Hand Crank Kit
- F0572 – Hydraulic Chute Control Kit
- F9116 – Hydraulic Cylinder & Hose Kit for Spout Swivel
- F9117 – Spout Deflector Cylinder & Hose Kit

## DIVISION LOCATIONS

Farm King Division  
301 Mountain Street S.  
Morden, MB R6M 1X7  
Ph.: (204) 822-4467  
Fax: (204) 822-6348

Allied Division  
1201 Regent Ave. W.  
Box 1003  
Winnipeg, MB R2C 3B2  
Ph.: (204) 661-8711  
Fax: (204) 654-2503

Inland Division  
675 Washington Ave.  
Winnipeg, MB R2K 1M4  
Ph: (204) 667-7854  
Fax: (204) 669-2599

B.I.I. Division  
1330 43<sup>rd</sup> Street N.W.  
Fargo, ND 58102  
Ph: (701) 282-7014  
Fax: (701) 282-5865

## CANADIAN WAREHOUSES

B.C., Abbotsford  
(604) 864-2665

AB, Edmonton  
(403) 962-6991

SK, Regina  
(306) 781-2300

ON, Woodstock  
(519) 539-0435

ON, Jasper  
(613) 283-1758

QC, Dorion  
(450) 455-4840

## U.S. WAREHOUSES

AR, West Memphis  
(870) 732-3132

GA, Stone Mountain  
(770) 908-9439

IA, Lakeview  
(712) 657-8585

ID, Meridian  
(208) 887-6006

IN, Clarksville  
(812) 284-3376

KS, Wichita  
(316) 265-9577

MN, Lakeville  
(952) 469-5267

MT, Billings  
(406) 248-7771

ND, Bismarck  
(701) 223-1886

ND, Fargo  
(701) 282-7003

NY, Syracuse  
(315) 463-5276

OH, Youngstown  
(330) 793-0862

OR, Portland  
(503) 234-0378

SD, Huron  
(605) 352-8616

TX, Houston  
(713) 928-2632

UT, Salt Lake City  
(801) 972-4321

WI, Portage  
(608) 742-1370

## OFFSHORE WAREHOUSES

Burando Hill  
Katanning  
W. Australia  
011-618-98-214422

Chihuahua, Mexico  
011-52-158-90306

John Kerr Equipment Ltd.  
Wilcoxholm Farm  
Linlithgow, W. Lothian  
Scotland  
011-441-506-842280

Skovde, Sweden  
011-46-500-452651

Naestved, Denmark  
011-45-557-29511

# bühler

Buhler Manufacturing *"a partnership"*

301 Mountain Street S.  
Morden MB.  
R6M 1X7  
Ph.: (204) 822-4467  
Fax: (204) 822-6348  
[www.buhler.com](http://www.buhler.com)