

WARRANTY REGISTRATION AND POLICY

Buhler Manufacturing products are warranted for a period of twelve (12) months from original date of purchase, by original purchaser, to be free from defects in material and workmanship under correct, normal agricultural use and proper applications.

Buhler Manufacturing's obligations under this warranty shall be limited to the repair or exchange, at Buhler Manufacturing's option, of any Buhler Manufacturing product or part which proves to be defective as provided. Buhler Manufacturing reserves the right to either inspect the product at the buyer's location or have it returned to the factory for inspection.

The above warranty does not extend to goods damaged or subject to accident, abuse or misuse after shipment from Buhler Manufacturing's factory, nor to goods altered or repaired by anyone other than an authorized Buhler Manufacturing representative.

Buhler Manufacturing makes no Express Warranties other than those, which are specifically described. Any description of goods, including any references and specifications in catalogues; circulars and other written material published, is for the sole purpose of identifying goods and shall conform to such descriptions. Any sample or model is for illustrative purposes only and does not create an Express Warranty that the goods conform to sample or model shown.

The purchaser is solely responsible for determining suitability of goods sold. This warranty is expressly in lieu of all other warranties expressed or implied. Buhler Manufacturing will in no event be liable for any incidental or consequential damages whatsoever. Nor for any sum in excess of the price received for the goods for which liability is claimed.

WARRANTY CLAIMS:

Warranty requests must be prepared on Buhler Manufacturing Warranty Claim Forms with all requested information properly completed. Warranty Claims must be submitted within a thirty (30) day period from date of failure repair.

WARRANTY LABOR:

Any labor subject to warranty **must** be authorized by Buhler Manufacturing. The labor rate for replacing defective parts, where applicable, will be credited at a rate determined by the Company, Buhler Manufacturing.

IMPORTANT FACTS:

Buckets and Bucket Tines Carry No Warranty

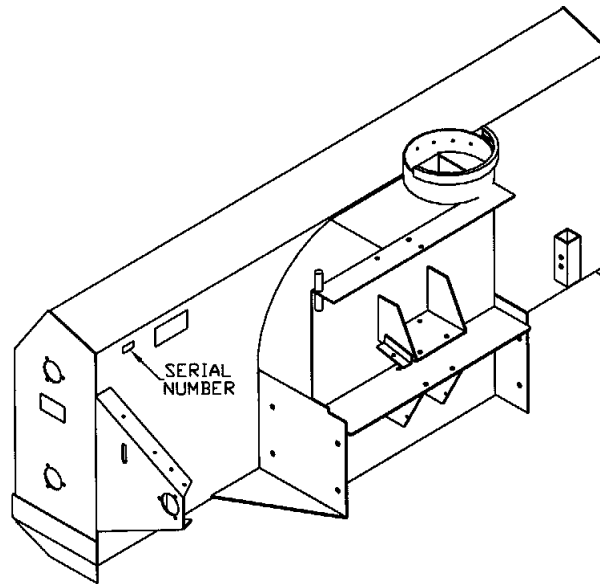
Bent Spears Carry No Warranty

Snowblower Fan Shafts Carry No Warranty

Mower Blades Carry No Warranty

Portable Auger Parts Have Two (2) Year Warranty


SNOWBLOWER





SB-04

This manual is for 96" Farm King Snowblower with a quick coupling hitch. With this hitch, the blower can be mounted on a tractor with either a quick hitch or the standard three-point hitch. All 96" Farm King snowblowers have a sealed oil bath gearbox. The snowblower is the push type and will mount to a tractor with 540 rpm PTO. It is supplied with category 2 pins with conversion bushings to category 3 available. This 96" wide snowblower comes with hydraulic chute control as standard equipment. A hand crank chute control is available. There is a shear bolt on the auger and on the PTO shaft to protect the machine from damage if a large object is picked up. Any smaller objects in the snow will be thrown with it and could cause serious injury. Do not let anyone stand behind the tractor in the area of the discharged snow.

OPERATING INSTRUCTIONS

1. Do not operate the blower in the fully raised position. The three-point hitch on some tractors rises high enough to cause the PTO shaft to bind. This can cause damage to the PTO shaft and/or to the hitch and pins.
2. Depth of cut can be partially controlled by tilting the blower forward or backward. Adjust the tractor quick hitch so the snowblower is just slightly tilted back when resting on the ground.
 **CAUTION:** Excessive backward tilt may cause the "U" joints to flutter resulting in PTO shear bolt failure.
3. Run the blower at low rpm to check operation before blowing snow.

OPERATING INSTRUCTIONS – cont'd.

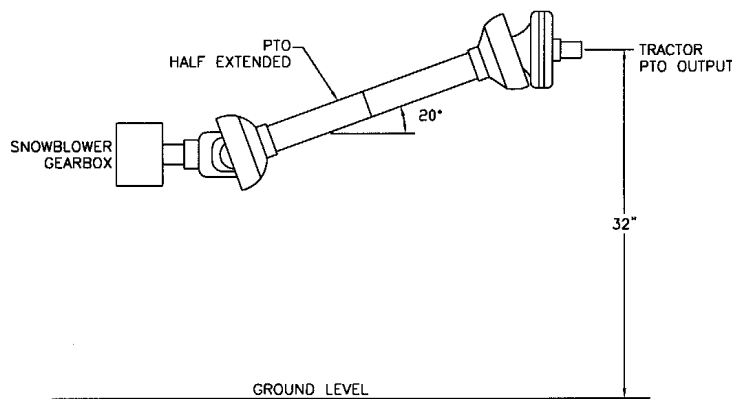
4. The snowblower has two shear bolts to protect the tractor and blower in case a large object enters the blower. PTO shear bolt - two 5/16" x 1" (Grade 8); Auger shear bolt – 5/16" x 1 ¼" (Grade 5). Shear bolts should be fastened with a lock nut or two jam nuts. These bolts must be kept tight to prevent wear of the bolt and bolt holes.
5. Never run PTO shaft at over 600 rpm.
6. Chain Tension: Slack on the lower side of the chain should be 3/8" to ½".
7. Lubrication:
 - a) The spout clamps and rings should be periodically lubricated with gun grease.
 - b) PTO shaft universal joints and square shaft slide should be greased daily.
 - c) Regularly oiling the chain will significantly increase the life of the chain.
 - d) The grease fitting on the hydraulic spout swivel arm should be kept lubricated.
 - e) Gearbox - Use any 80-90 gear oil or multigrade with 80 minimum.
8. Periodically check all bolts for tightness. The bolt holding on the fan and the bearing bolts are of particular importance.
9.  **Danger:** Always stop blowing for servicing or unplugging. The PTO should be disengaged before dismantling from the tractor.
10.  **Caution:** Always check to see that both ends of the PTO shaft are securely attached as per instructions every time you are preparing to use the Snowblower.
11. Shear Sprocket: The shear sprocket (#24) should be checked at the beginning of every season to make sure it will spin freely. With time this sprocket could corrode and seize which will not allow the shear bolt to break if something jams in the snowblower auger. Clean to loosen if necessary.
12. When replacing bearings or tightening a loose bearing collar, always tighten collar in the direction of shaft rotation using a center punch or a similar tool.

ASSEMBLY INSTRUCTIONS

1. Fasten the two quick hitch arms (#57 & #58, left and right) to the main body. Use eight 5/8" x 1 1/4" hex bolts, lock washers and hex nuts.
Note: Lift arms for quick coupling hitch are 30 3/4" long versus 35" for the standard three point hitch.
2. Bolt the quick hitch (#56) to the snowblower body using two 1/2" x 1 1/4" hex bolts, lock washers and hex nuts. Fasten to the lift arms using three 5/8" x 1 1/2" hex bolts on each lift arm. Insert a 1" top link pin at the top and two 1 1/8" lift pins at the bottom of the hitch.
3. Bolt the hitch cross brace (#2) underneath the two quick hitch arms using two 5/8" x 1 1/2" hex bolts, lock washers, flat washers and hex nuts.
4. Mount the discharge spout (#3) using the spout clamp (#51) bolted to the spout ring on the snowblower. Lubricate the spout ring and clamp.
5. Hydraulic Spout Swivel:
 - a) Mount the swivel arm (#36) onto the swivel pin welded to the back corner of the fan housing using a 1" ID flat washer (#37) and a 3/16" x 1 1/2" cotter pin (#52).
 - b) Wrap cable (#35) around spout and clamp to the ends of the swivel using 1/4" cable clamps (#16).
 - c) With the spout turned forward and the swivel arm centered with the spout, clamp the cable to the spout cable anchor using another cable clamp. Ensure that the spout is not jammed and that there is no slack in the cable.
 - d) Use a standard 8" stroke cylinder (20 1/4" min., 28 1/4" max. pin centers).
 - e) **NOTE:** A hydraulic cylinder and hose kit to control the spout deflector is available as an option.
6. Hand Crank (Option):
 - a) Fasten hand crank assembly (#50) using two 1/2" x 1 1/4" hex bolts, lock washer and hex nuts.
 - b) Thread cable (#53) through hole in hand crank to even lengths and wrap around the tube to each side of the hole four turns in opposite directions.
 - c) Turn spout to center forward position and clamp cable to cable anchor on far side of spout using clamp (#16).

ASSEMBLY INSTRUCTIONS – cont'd.

7. Mounting blower on tractor:
 - a) The pins supplied with the snowblower are for a category 2 quick hitch. The quick coupling hitch has two holes both at the top of the hitch and at each lift arm. When using a quick coupler, the pins must be in the inside set of holes. Use the outside set of holes with a standard three-point hitch.
 - b) Using tape or a bright colored marking pen, mark on the outer shields the position where the shaft is completely pushed together and the position where you have a 4" overlap. Watch these marks when moving the blower through all possible operating angles to see that the PTO shaft stays within this range.
 - c) With the engine on the tractor shut off, attach the PTO shaft. The tractor end has a standard 6-spline end with a spring loaded locking collar. The snowblower end has a clamp-style yoke with a 3/8" key way. Slide the yoke onto the gearbox shaft with the 3/8" key supplied. Lock the yoke in place with the 1/2" x 3" fine thread bolt and lock nut fitted through the groove in the gearbox shaft. After tightening the bolt, insert and tighten the 3/8" socket set screw supplied. **⚠ Caution:** Always check to see that both ends of the PTO shaft are securely attached every time the Snowblower is used. This should always be done with the tractor engine off.
 - d) Check that the PTO shaft does not bottom or separate with the blower in the extreme high and low positions. A longer optional PTO shaft is available if the standard shaft is too short. Check for free movement of all parts in various raised positions; particularly the PTO shaft.
 - e) **NOTE:** Excessive U-joint wear and shear pin failure may result if the tractor PTO angle exceeds 20°. The drawing below gives an approximate way to check this angle. With the PTO half extended, the tractor output should not be over 32 inches high. Use 34 inches if the PTO is nearly fully extended and 30 inches if it is nearly compressed.



SB-08

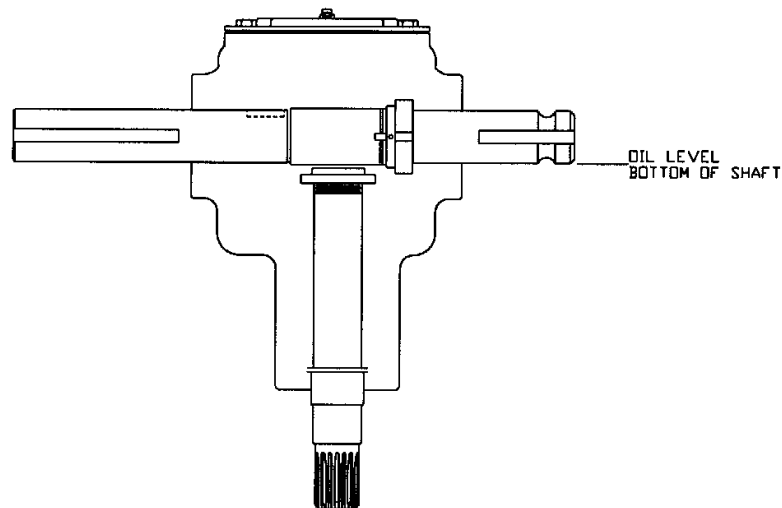
ASSEMBLY INSTRUCTIONS – cont'd.**8. PTO SHIELD**

All snowblowers are supplied with a PTO shield (#61). To install, remove the two rear bolts at the top of the gearbox (#38). Bolt the PTO shield to the gearbox by the hinges using these same bolts. A utility spring (#62) keeps the shield in place. Hook one end of the spring in the hole in the shield and the other end to the hole in the brace under the gearbox.

⚠ CAUTION: Do not run the snowblower without this shield in place.

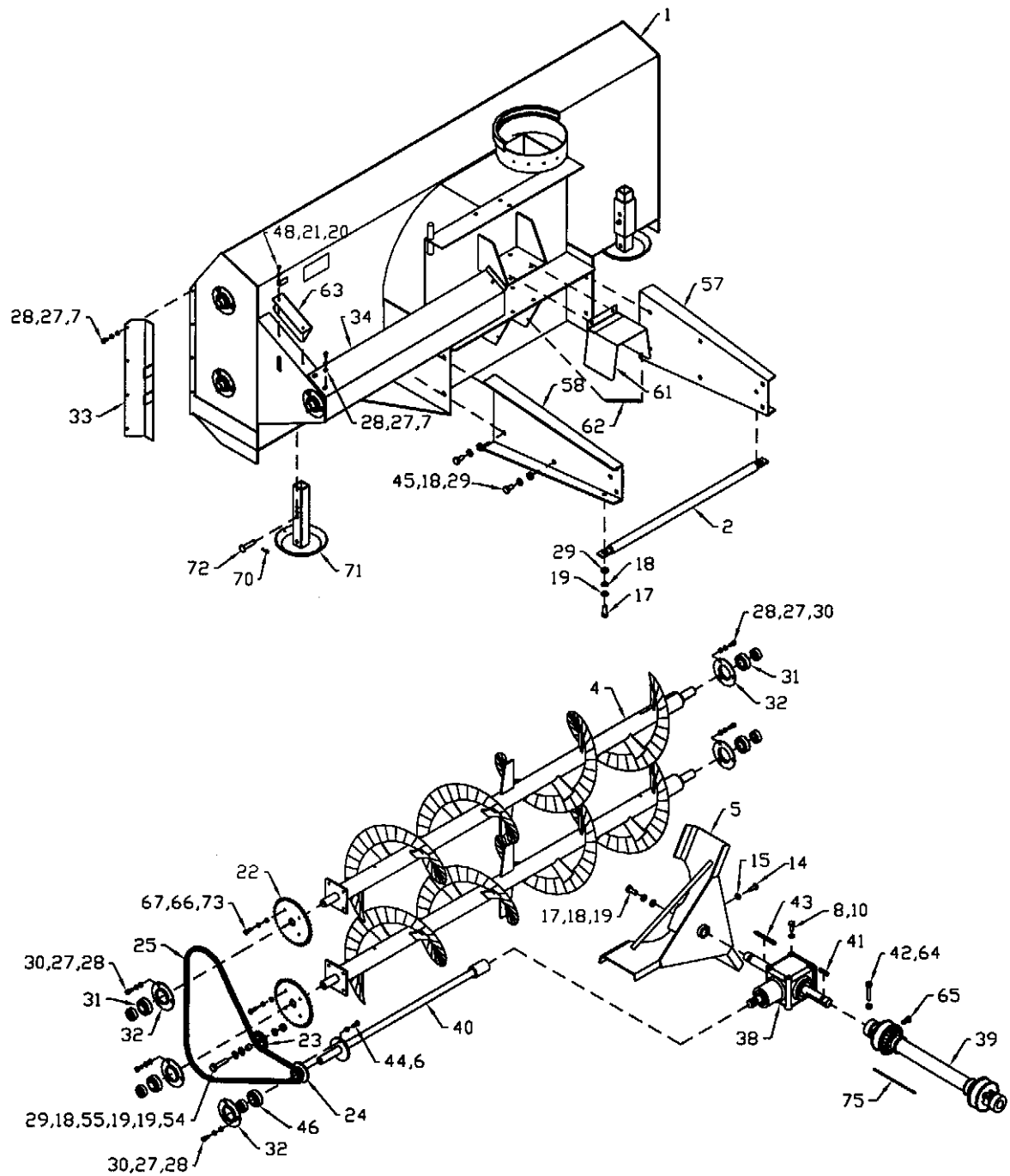
REFILLING GEARBOX WITH OIL:

If the gearbox requires refilling with oil because of repairs to the gearbox, add oil to the level shown in drawing. Check the level regularly using the plug in the lid. The correct level is even with the bottom of the plug.



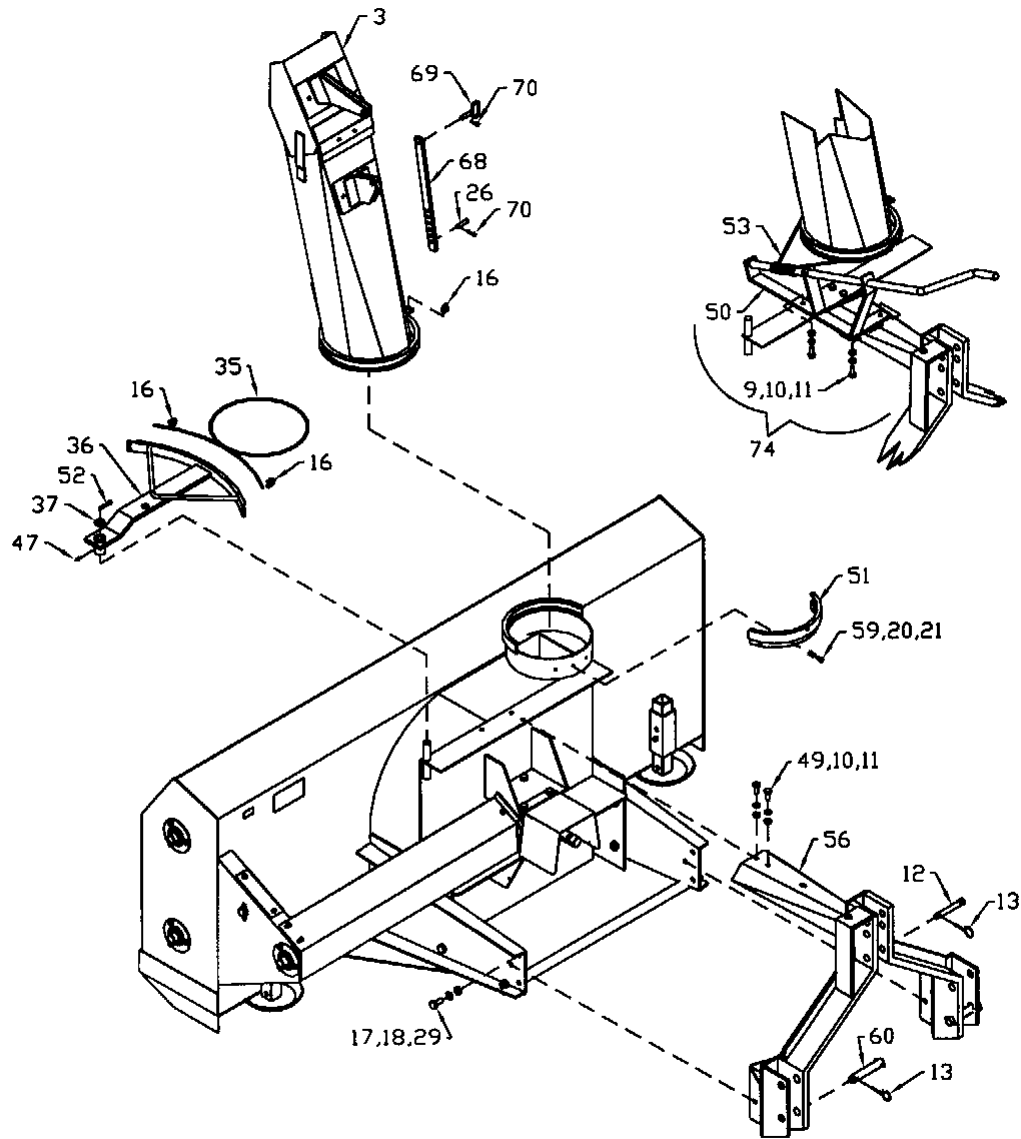
SB-09

96" SNOWBLOWER W/QUICK HITCH



SB-01

96" SNOWBLOWER W/QUICK HITCH



SB-02

WHEN ORDERING PARTS

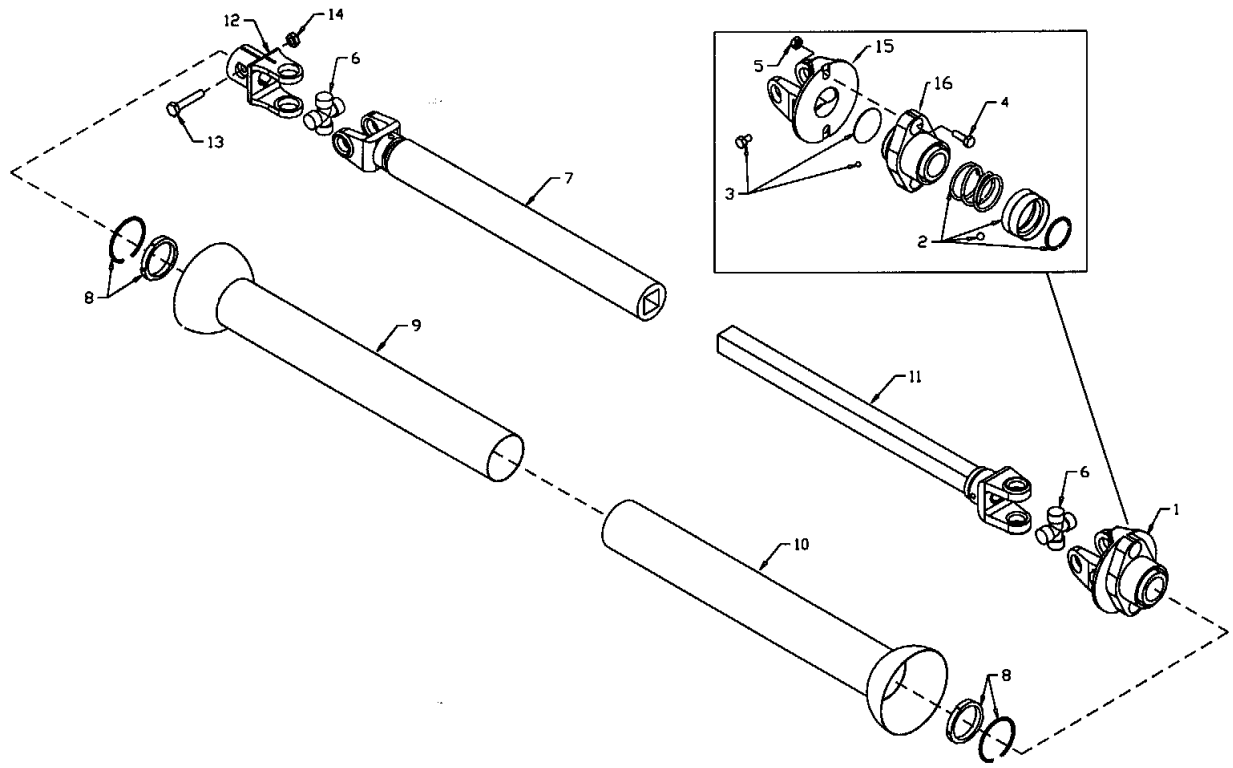
Always give your dealer the Model and Serial Number of your machine to assist him in ordering and obtaining the correct parts. Use the exploded view and tabular listing of the area of interest to exactly identify the required part.

960 SNOWBLOWERS

ITEM	PART #	DESCRIPTION
1	902403	Main Body
2	965959	Hitch Cross Brace, 1 1/2" x 39 1/2"
3	965648	Spout Weldment
4	965904	Auger
5	901790	Fan Weldt (Standard 3-Blade)
	901795	Fan Weldt (Optional 4-Blade)
6	812362	5/16" Lock Nut (pl)
7	84072	3/8" x 3/4" Hex Bolt (pl)
8	81619	1/2" x 1" Hex Bolt (pl)
9	81620	1/2" x 1 1/4" Hex Bolt (pl)
10	81637	1/2" Lock Washer (pl)
11	81636	1/2" Hex Nut (pl)
12	965910	Top Link Pin (Cat. 2)
13	965911	Linch Pin
14	84111	1/2" x 1 1/4" Sq. Hd. Set Screw (pl)
15	984077	1/2" Jam Nut (pl)
16	961658	1/4" Cable Clamp
17	84268	5/8" x 1 1/2" Hex Bolt (pl)
18	81677	5/8" Lock Washer (pl)
19	81678	5/8" B.S. Flat Washer (pl)
20	81569	5/16" Lock Washer (pl)
21	81568	5/16" Hex Nut (pl)
22	965912	40 Tooth Sprocket, #60, 1 3/8" Bore
23	965962	Idler Sprocket, #60 x 13 Tooth
24	965914	13 Tooth Sprocket, #60, 1 1/4" Bore
25	965972	Roller Chain (#60 x 117 Link w/ Conn & Offset)
26	961876	1/2" x 1 1/2" Clevis Pin (pl)
27	81593	3/8" Lock Washer (pl)
28	81592	3/8" Hex Nut (pl)
29	81676	5/8" Hex Nut (pl)
30	86170	3/8" x 1" Hex Bolt (pl)
31	965917	1 3/8" Bearing w/ Collar
32	961675	Flange Bearing (72MS)
33	965963	Chain Guard
34	965919	Drive Shaft Guard

35	965964	1/4" Cable x 70" Long
36	965923	Swivel Arm
37	967140	1" x 10ga Narrow Rim Washer (pl)
38	BU50505	Gearbox Complete w/o Oil
39	F972	PTO Shaft Complete
40	965925	Drive Shaft
41	968807	3/8" x 3/8" x 2" Key
42	967179	1/2" x 3" NF Hex Bolt (pl)
43	902377	3/8" x 3/8" x 4 3/4" Key
44	81552	5/16" x 1 1/4" Gr. 5 Hex Bolt (pl)
45	811702	5/8" x 1 1/4" Hex Bolt (pl)
46	961676	1 1/4" Bearing w/ Collar
47	967164	Pound-In Grease Fitting
48	81549	5/16" x 3/4" Hex Bolt (pl)
49	81620	1/2" x 1 1/4" Hex Bolt (pl)
50	965803	Hand Crank Weldment
51	965970	Spout Clamp
52	9812433	3/16" x 1 1/2" Cotter Pin (pl)
53	965927	3/16" Cable x 100" Long
54	84289	5/8" x 3" Hex Bolt (pl)
55	965928	Idler Spacer, 3/4" Long
56	F9203	Quick Hitch
57	965952	Right Hand Quick Hitch Arm
58	965953	Left Hand Quick Hitch Arm
59	812026	5/16" x 1" Hex Bolt (pl)
60	965966	Quick Hitch Lift Pin (Cat. 2)
61	965967	PTO Shield
62	960135	PTO Shield Spring
63	965968	Idler Shield
64	967105	1/2" Fine Thread Lock Nut (pl)
65	988999	3/8" x 3/8" Socket Set Screw (br)
66	81593	3/8" Lock Washer (pl)
67	81592	3/8" Hex Nut (pl)
68	965646	Spout Adjustment Bar
69	903523	1/2" x 1 1/2" Adjustment Pin Weldment
70	961012	#16 Hair Pin Clip
71	902407	Skid Plate Weldment
72	900712	Skid Pin (5/8" x 3")
73	86171	3/8" x 1 1/4" Hex Bolt (pl)
74	F9102	Hand Crank Assembly (Complete Kit)
75	936402	PTO Safety Chain

96" FARM KING SNOWBLOWER PTO
(Standard and Optional Long)



SB-05

960 FARM KING SNOWBLOWER PTO (Optional Long)

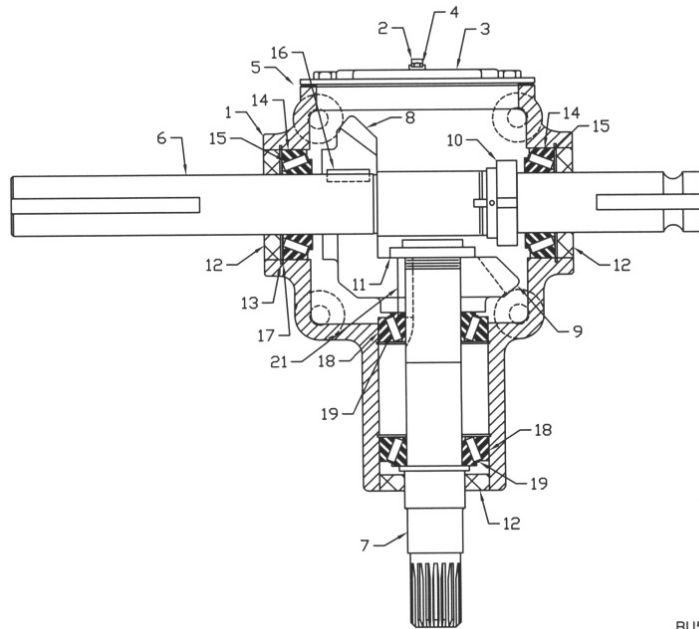
Item #	Part #	Description
	F844	Shaft Complete
	936285	Tractor Half of PTO (Shear)
	936280	Implement Half of PTO (Clamp Yoke)
1	936265	Shear Assembly
2	936199	Safety Slide Lock Repair Kit (Collar, Spring, Ret. Ring, 2-Pawls)
3	936249	Shear Assembly Repair Kit (3/8" x 1/2" Bolt, Lube, Blank, 31-1/4" Balls)
*4	812026	Shear Bolt - 5/16" x 1" (Grade 5) - 2 required
5	812362	5/16" Lock Nut
6	936025	Repair Kit
7	936281	Yoke & Tube
8	936319	Bearing & Snap Ring Kit
9	936282	Inner Shield
10	936283	Outer Shield
11	936284	Yoke & Shaft
12	936269	Clamp Yoke
13	967179	1/2" x 3" Fine Thread Bolt
14	967105	1/2" Fine Thread Lock Nut
15	936430	Shear Yoke
16	936411	6 Spl Shear Hub

*For higher RPM use 5/16" x 1"(Grade 8) Shear Shank Bolt supplied in bag of hardware

960 FARM KING SNOWBLOWER PTO (Standard)

Item #	Part #	Description
	F972	Shaft Complete
	936276	Tractor Half of PTO (Shear)
	936264	Implement Half of PTO (Clamp Yoke)
1	936277	Shear Assembly
2	936199	Safety Slide Lock Repair Kit (Collar, Spring, Ret. Ring, 2-Pawls)
3	936249	Shear Assembly Repair Kit (3/8" x 1/2" Bolt, Lube, Blank, 31-1/4" Balls)
4	967247	Shear Bolt - 5/16" x 1" (Grade 8) - 2 required
5	812362	5/16" Lock Nut
6	936025	Repair Kit
7	936270	Yoke & Tube
8	936319	Bearing & Snap Ring Kit
9	936272	Inner Shield
10	936273	Outer Shield
11	936274	Yoke & Shaft
12	936269	Clamp Yoke
13	967179	1/2" x 3" Fine Thread Bolt
14	967105	1/2" Fine Thread Lock Nut
15	936430	Shear Yoke
16	936411	6 Spl Shear Hub

96" FARM KING SNOWBLOWER GEARBOX



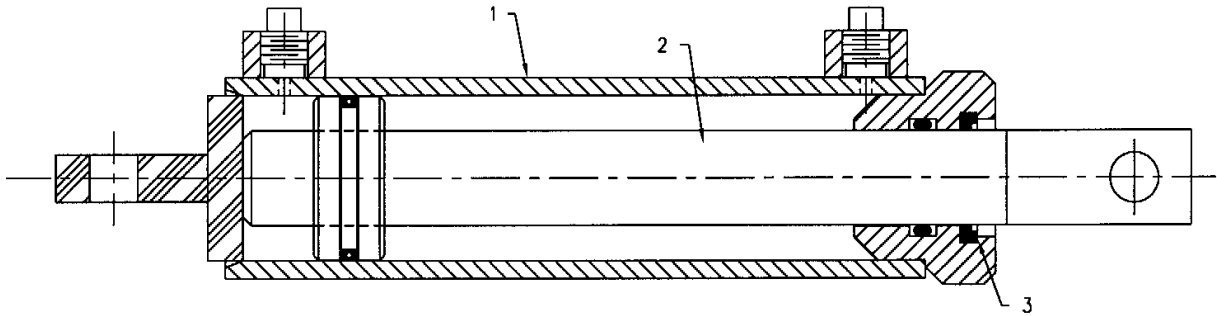
BU50505

960 FK, 74", 85", & 96" ALLIED SNOWBLOWER GEARBOX PARTS LIST

Item #	Part #	Description
	BU50505	Gearbox Complete
1	BU50310	Gearbox Casting Only
2	BU500089-3	Pipe Plug
3	BU50457	Gearbox Cover
4	BU500167-1	Relief Valve
5	BU50458	Gearbox Gasket
6	BU50507	Cross Shaft
7	BU50502	Pinion Shaft
8	BU50329	Bevel Gear - 1 1/2" Bore
9	BU50331	Bevel Gear - 1 3/8" Bore
10	BU50428	Staking Lock Nut
11	BU50444	Staking Lock Nut
12	BU50422-1	Oil Seal (3 used)
13	BU50415	Retainer Ring (4 used)
14	BU575902	Bearing Cup (2 used)
15	BU575901	Bearing Cone (2 used)
16	BU50429	Key
17	BU50210X	Shim Set
18	BU575907	Bearing Cup (2 used)
19	BU575906	Bearing Cone (2 used)
20	BU500397-6	Hex Bolt 5/16" NC x 5/8" GR5 (pl)
21	BU50417-1	Key

1.75 X 5 CYLINDER ASSEMBLY

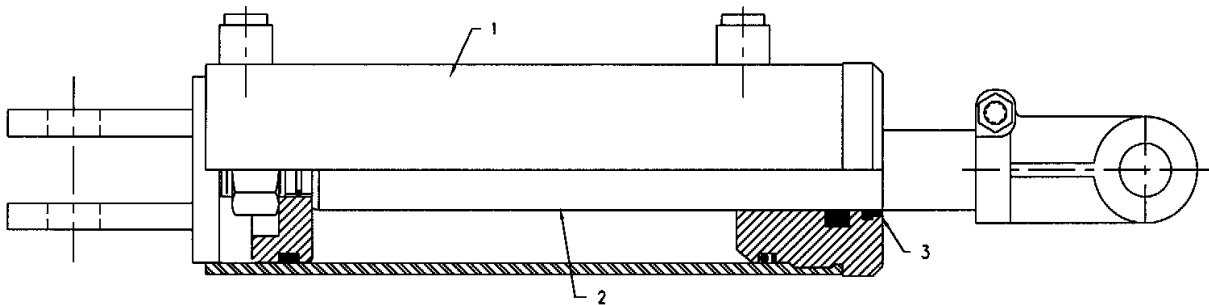
Item #	Part #	Description
	24930	Cyl Complete
1	115367	Tube Weldt
2	112104	Shaft Weldt 1.0 Dia
3	X2669	Seal Kit



24930

3.5 x 8 CYLINDER ASSEMBLY

Item #	Part #	Description
	24803	Cyl Complete
1	24804	Tube Weldt
2	113934	Piston Rod 1.5 Dia
3	X2098	Seal Kit



24803

96" FARM KING SNOWBLOWER BUNDLES

QUANTITY	BUNDLE NO.	DESCRIPTION
96" Farm King Snowblower w/Hydraulic Control – Y960Q		
1	F9213	Body Assembly l/hitch & spout (3-blade)
1	F9203	Quick Hitch
1	F9211	Spout Assembly
1	F972	Standard PTO
96" Farm King Snowblower w/Hydraulic Control & Long PTO– Y960QL		
1	F9213	Body Assembly l/hitch & spout (3-blade)
1	F9203	Quick Hitch
1	F9211	Spout Assembly
1	F844	Long PTO

Options Available:

- F9102 – Hand crank Kit
- F9107 – Hydraulic Chute Control Kit
- F9116 – Hydraulic Cylinder & Hose Kit for Spout Swivel
- F9117 – Spout Deflector Cylinder & Hose Kit