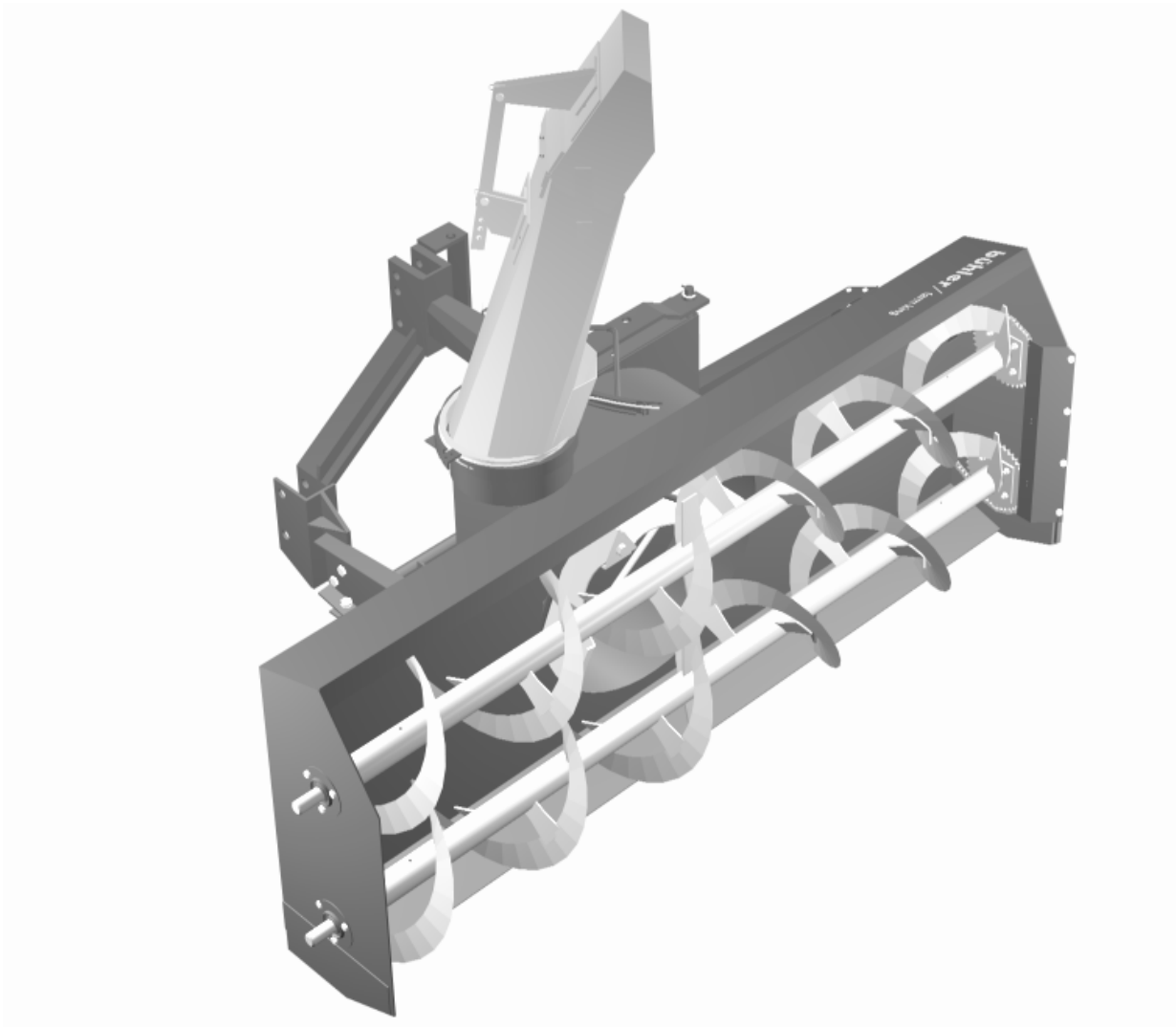


# bühler

---

## farm king



### 960 Snowblower

Operator's and Parts Manual  
FK315

2009



**TABLE OF CONTENTS**

<b>DESCRIPTION</b>	<b>PAGE</b>
<b>WARRANTY</b> .....	1
<b>INTRODUCTION</b> .....	2
<b>SAFETY</b> .....	3
Safety .....	3
General Safety .....	4
Start Up Safety .....	4
Operation Safety .....	4
Transport Safety .....	5
Service and Maintenance Safety .....	5
Storage Safety.....	5
Safety Signs .....	5
Safety Sign Installation .....	6
<b>ASSEMBLY</b> .....	7
Assembly Instructions.....	7
<b>OPERATION</b> .....	10
Operating Instructions .....	10
Theory of Operation.....	12
<b>MAINTENANCE</b> .....	12
Bolt Torque .....	12
<b>PARTS DRAWINGS</b> .....	13
96" Snowblower Drawings.....	13
96" Snowblower Parts Lists .....	15
96" Snowblower PTO Drawing .....	17
960 Snowblower Standard PTO Parts List .....	18
960 Snowblower Optional Long PTO Parts List .....	19
Gearbox Assembly Drawing & Parts List.....	20
Cylinder Assembly Drawings & Parts Lists.....	21
<b>SHIPPING KIT AND BUNDLE NUMBERS</b> .....	22

## **WARRANTY POLICY**

Buhler Manufacturing products are warranted for a period of twelve (12) months (90 days for commercial application) from original date of purchase, by original purchaser, to be free from defects in material and workmanship under correct, normal agricultural use and proper applications.

Buhler Manufacturing's obligations under this warranty shall be limited to the repair or exchange, at Buhler Manufacturing's option, of any Buhler Manufacturing product or part which proves to be defective as provided. Buhler Manufacturing reserves the right to either inspect the product at the buyer's location or have it returned to the factory for inspection.

The above warranty does not extend to goods damaged or subject to accident, abuse or misuse after shipment from Buhler Manufacturing's factory, nor to goods altered or repaired by anyone other than an authorized Buhler Manufacturing representative.

Buhler Manufacturing makes no Express Warranties other than those, which are specifically described. Any description of goods, including any references and specifications in catalogues, circulars and other written material published, is for the sole purpose of identifying goods and shall conform to such descriptions. Any sample or model is for illustrative purposes only and does not create an Express Warranty that the goods conform to sample or model shown.

The purchaser is solely responsible for determining suitability of goods sold. This warranty is expressly in lieu of all other warranties expressed or implied. Buhler Manufacturing will in no event be liable for any incidental or consequential damages whatsoever. Nor for any sum in excess of the price received for the goods for which liability is claimed.

### **WARRANTY CLAIMS:**

Warranty requests must be prepared on Buhler Manufacturing Warranty Claim Forms with all requested information properly completed. Warranty Claims must be submitted within a thirty (30) day period from date of failure repair.

### **WARRANTY LABOR:**

Any labor subject to warranty **must** be authorized by Buhler Manufacturing. The labor rate for replacing defective parts, where applicable, will be credited at 100% of the dealer's posted shop rate. Defective parts will receive an extra 10% discount to assist with freight or other incidental costs.

### **GOVERNMENT LEGISLATION:**

Warranty terms and conditions are subject to Provincial or State legislation.

### **IMPORTANT FACTS:**

Buckets and Bucket Tines Carry No Warranty  
Bent Spears Carry No Warranty  
Snowblower Fan Shafts Carry No Warranty  
Mower Blades Carry No Warranty  
Portable Auger Parts Have Two (2) Year Warranty  
Loader Parts Have Two (2) Year Warranty

**IMPORTANT NOTE: This warranty does not apply to rentals**

## INTRODUCTION

Buhler Farm King has years of snowblower manufacturing expertise and thousands of acreages, farms and cities depend on Buhler snowblowers. PTO-driven Buhler Farm King Snowblowers attach to 3-point hitch. This snowblower is supplied with category 2 pins with conversion bushings to category 3 available. Adjustable cup type skid shoes are standard on all models.

Three blade fans are on all models. A 4 blade fan is also available as an option. Shear bolt protection is provided at the sprocket to the main auger, and is easily accessed by removing wing nuts and cover at the back of the housing. A hitch system, which is quick-hitch compatible is standard on all models. Also available is an optional Hydraulic Spout Control.

The 96" is for tractors from 90 h.p. to 125 h.p. It has a 540 rpm oil bath gearbox with #60 chain. The chute rotation is hydraulic (cylinder not included). Hydraulic cylinder kits, optional for rotator or deflector. There is a shear bolt on the auger and on the PTO shaft to protect the machine from damage if a large object is picked up. Any smaller objects in the snow will be thrown with it and could cause serious injury. Do not allow anyone to stand behind the tractor or in the area of the discharged snow.

Keep this manual handy for frequent reference. All new operators or owners must review the manual before using the equipment and at least annually thereafter. Contact your Buhler Dealer if you need assistance, information, or additional copies of the manual. Visit our website at [www.buhler.com](http://www.buhler.com) for a complete list of dealers in your area.

The directions left, right, front and rear, as mentioned throughout this manual, are as seen facing in the direction of travel of the implement.

## SAFETY

Remember, YOU are the key to safety. Good safety practices not only protect you, but also the people around you. Make these practices a working part of your safety program. Be certain that everyone operating this equipment is familiar with the recommended operating and maintenance procedures and follows all the safety precautions. Most accidents can be prevented. Do not risk injury or death by ignoring good safety practices.

The alert symbol is used throughout this manual. It indicates attention is required and identifies hazards. Follow the recommended precautions.



The safety alert symbol means...

**ATTENTION! BECOME ALERT! YOUR SAFETY IS INVOLVED!**



### **CAUTION**

The caution symbol indicates a potentially hazardous situation that, if not avoided, may result in minor or moderate injury. It may also be used to alert against unsafe practices.



### **WARNING**

The Warning Symbol indicates a potentially hazardous situation that, if not avoided, could result in death or serious injury, and includes hazards that are exposed when guards are removed. It may also be used to alert against unsafe practices.



### **DANGER**

The Danger Symbol indicates an imminently hazardous situation that, if not avoided will result in death or serious injury. This signal word is to be limited to the most extreme situations, typically for machine components that, for functional purposes, cannot be guarded.

## **GENERAL SAFETY INSTRUCTIONS**

Have a first-aid kit available for use and know how to use it.

Have a fire extinguisher available, stored in a highly visible location, and know how to use it.

Wear appropriate protective gear. This list may include but is not limited to:

- Hard hat
- Protective shoes with slip resistant soles
- Protective glasses or goggles
- Heavy gloves
- Wet weather gear
- Hearing protection
- Respirator or filter mask

Read and understand the Operator's Manual and all safety signs before operating, servicing, adjusting, repairing, or unplugging the equipment.

Do not attempt any unauthorized modifications to your Buhler product as this could affect function or safety, and could affect the life of the equipment.

Never start or operate the snowblower except from the operator's station on the power unit.

Inspect and clean the working area before operating.

Keep hands, feet, clothing, and hair away from moving parts.

Ensure bystanders are clear of the area before operating.

## **START-UP SAFETY**

Do not let inexperienced operators or children run this equipment.

Place all tractor and machine controls in neutral before starting.

Operate only with ROPS and seatbelt equipped tractors.

Do not operate inside a building unless there is adequate ventilation.

Ensure all shields are in place and in good condition before operating.

Stay clear of PTO shaft and machine when engaging PTO.

## **OPERATION SAFETY**

Do not permit riders.

Do not wear loose fitting clothing during operation.

Stay clear of Snowblower augers.

Stay clear of Snowblower discharge chute. Rocks or debris can be picked up and thrown.

Never operate over 540 rpm PTO speed.

Never operate the equipment in the raised position.

## **TRANSPORT SAFETY**

Review Transport Safety instructions in tractor manual before moving.  
Check with local authorities regarding transport on public roads. Obey all applicable laws and regulations.

Make sure the SMV (Slow Moving Vehicle) emblem and all the lights and reflectors that are required by the local highway and transport authorities are in place, are clean, and can be seen clearly by all overtaking and oncoming traffic.

Never have the equipment in operation during transport.

Always travel at a safe speed.

## **SERVICE AND MAINTENANCE SAFETY**

Stop engine, set brake, remove ignition key, and wait for all moving parts to stop before servicing, adjusting, repairing, or unplugging.

Support the equipment with blocks or safety stands before working beneath it.

Follow good shop practices including

- Keep service area clean and dry

- Be sure electrical outlets and tools are properly grounded

- Use adequate light for the job

Use only tools, jacks, and hoists of sufficient capacity for the job.

Replace and secure all shields removed during servicing before operating.

Use heavy leather gloves to handle sharp objects.

Check hydraulics regularly for leaks. Use cardboard to look for leaks, and use hand and eye protection.

Relieve pressure on hydraulic system before repairing or adjusting.

## **STORAGE SAFETY**

Store the unit in an area away from human activity.

Do not permit children to play on or around the stored machine.

Support the frame on stands and blocks to provide a secure base.

## **SAFETY SIGNS**

The following illustration shows the approximate location and detail of safety signs.

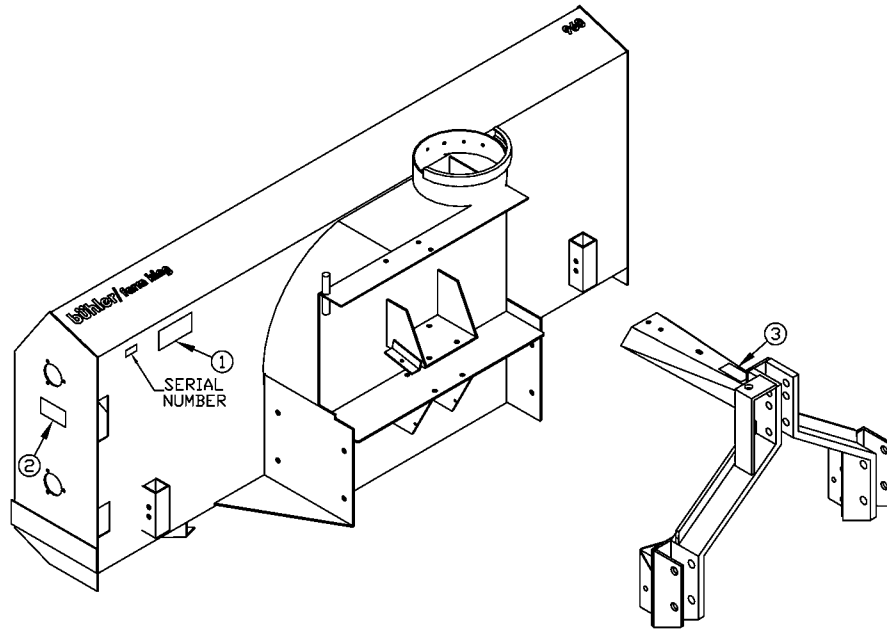
Keep all safety signs clean and legible and replace any that are damaged or missing.

When original parts are replaced, any safety signs affixed to those parts should be replaced as well. Replacement safety signs are available from your local dealer.

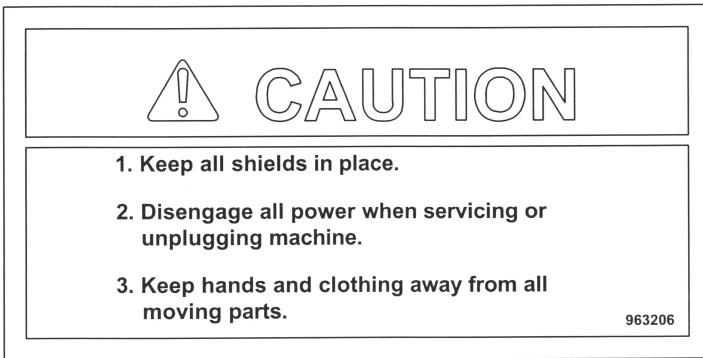


**INSTALLATION OF SAFETY SIGNS**

To install safety signs, ensure the installation area is clean and dry. Decide on the exact position before you remove the backing paper. Remove the smallest portion of the split backing paper and align over the specified area. Carefully press in place. Slowly peel back the remaining paper and smooth the remaining portion in place. Small air pockets can be pierced with a pin and smoothed out.

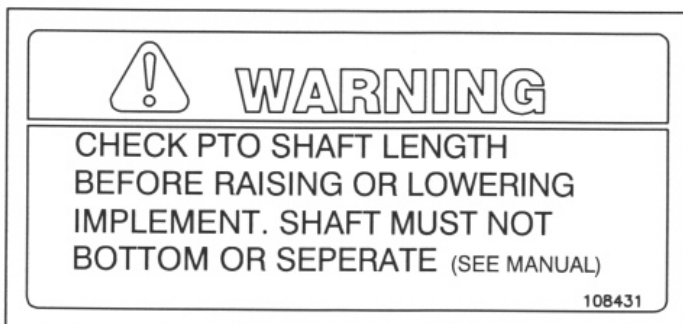


SB-25

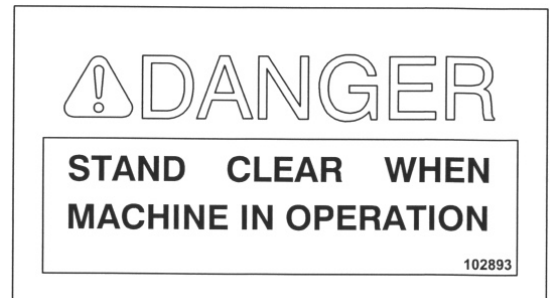


#1

Replace safety signs immediately should they become damaged, torn or illegible. Obtain replacements from your authorized dealer using the part numbers shown.



#3



#2

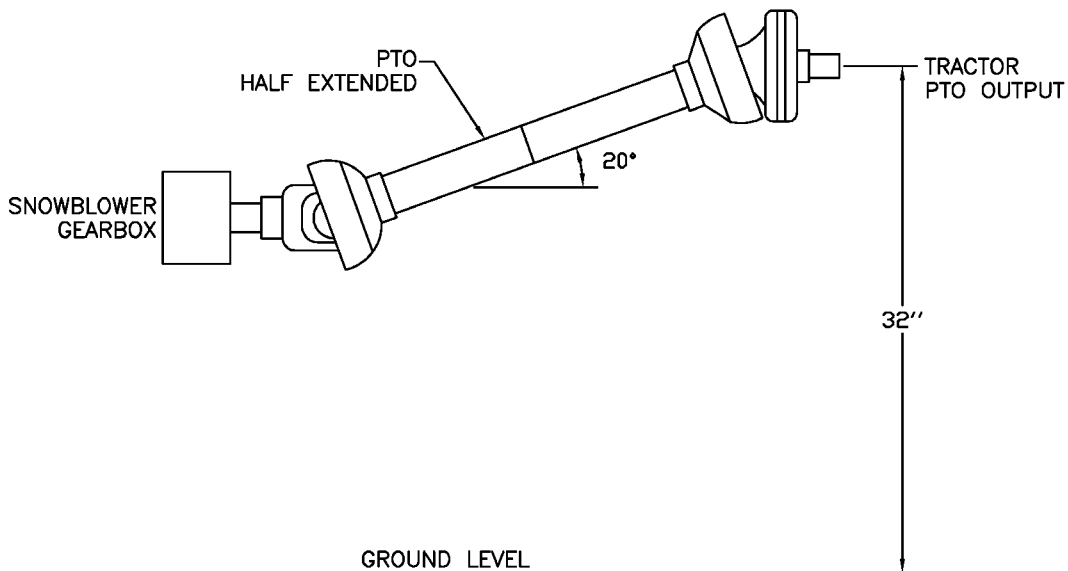
## ASSEMBLY INSTRUCTIONS

1. Fasten the two quick hitch arms (#57) to the main body. Use eight 5/8" x 1 1/4" hex bolts, lock washers and hex nuts. **Note:** Lift arms for quick coupling hitch are 30 3/4" long versus 35" for the standard three point hitch.
2. Bolt the quick hitch (#56) to the snowblower body using two 1/2" x 1 1/4" hex bolts, lock washers and hex nuts. Fasten to the lift arms using three 5/8" x 1 1/2" hex bolts on each lift arm. Insert a 1" top link pin at the top and two 1 1/8" lift pins at the bottom of the hitch.
3. Bolt the hitch cross brace (#2) underneath the two quick hitch arms using two 5/8" x 1 1/2" hex bolts, lock washers, flat washers and hex nuts.
4. Mount the discharge spout (#3) using the spout clamp (#51) bolted to the spout ring on the snowblower. Lubricate the spout ring and clamp.
5. Hydraulic Spout Swivel:
  - a) Mount the swivel arm (#36) onto the swivel pin welded to the back corner of the fan housing using a 1" ID flat washer (#37) and a 3/16" x 1 1/2" cotter pin (#52).
  - b) Wrap cable (#35) around spout and clamp to the ends of the swivel using 1/4" cable clamps (#16).
  - c) With the spout turned forward and the swivel arm centered with the spout, clamp the cable to the spout cable anchor using another cable clamp. Ensure that the spout is not jammed and that there is no slack in the cable.
  - d) Use a standard 8" stroke cylinder (20 1/4" min., 28 1/4" max. pin centers).
  - e) **NOTE:** A hydraulic cylinder and hose kit to control the spout deflector is available as an option.
6. Hand Crank (Option):
  - a) Fasten hand crank assembly (#50) using two 1/2" x 1 1/4" hex bolts, lock washer and hex nuts.
  - b) Thread cable (#53) through hole in hand crank to even lengths and wrap around the tube to each side of the hole four turns in opposite directions.
  - c) Turn spout to center forward position and clamp cable to cable anchor on far side of spout using clamp (#16).

**ASSEMBLY INSTRUCTIONS – cont'd.**

7. Mounting blower on tractor:
  - a) The pins supplied with the snowblower are for a category 2 quick hitch. The quick coupling hitch has two holes both at the top of the hitch and at each lift arm. When using a quick coupler, the pins must be in the inside set of holes. Use the outside set of holes with a standard three-point hitch.
  - b) Using tape or a bright colored marking pen, mark on the outer shields the position where the shaft is completely pushed together and the position where you have a 4" overlap. Watch these marks when moving the blower through all possible operating angles to see that the PTO shaft stays within this range.
  - c) With the engine on the tractor shut off, attach the PTO shaft. The tractor end has a standard 6-spline end with a spring loaded locking collar. The snowblower end has a clamp-style yoke with a 3/8" key way. Slide the yoke onto the gearbox shaft with the 3/8" key supplied. Lock the yoke in place with the 1/2" x 3" hex bolt and lock nut fitted through the groove in the gearbox shaft. After tightening the bolt, insert and tighten the 3/8" socket set screw supplied.
 

**⚠ Caution:** Always check to see that both ends of the PTO shaft are securely attached every time the Snowblower is used. This should always be done with the tractor engine off.
  - d) Check that the PTO shaft does not bottom or separate with the blower in the extreme high and low positions. A longer optional PTO shaft is available if the standard shaft is too short. Check for free movement of all parts in various raised positions; particularly the PTO shaft.
  - e) **NOTE:** Excessive U-joint wear and shear pin failure may result if the tractor PTO angle exceeds 20°. The drawing below gives an approximate way to check this angle. With the PTO half extended, the tractor output should not be over 32 inches high. Use 34 inches if the PTO is nearly fully extended and 30 inches if it is nearly compressed.



SB-26

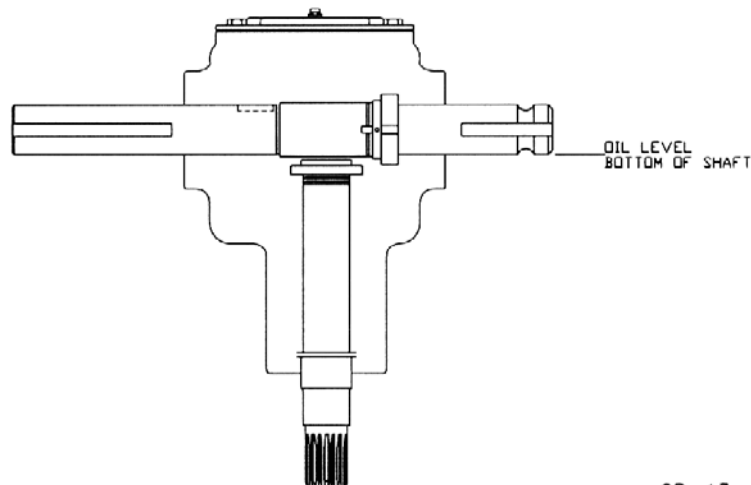
**ASSEMBLY INSTRUCTIONS – cont'd.****8. PTO SHIELD**

All snowblowers are supplied with a PTO shield (#61). To install, remove the two rear bolts at the top of the gearbox (#38). Bolt the PTO shield to the gearbox by the hinges using these same bolts. A utility spring (#62) keeps the shield in place. Hook one end of the spring in the hole in the shield and the other end to the hole in the brace under the gearbox.

**⚠ CAUTION:** Do not run the snowblower without this shield in place.


**REFILLING GEARBOX WITH OIL:**

If the gearbox requires refilling with oil because of repairs to the gearbox, add oil to the level shown in drawing. Check the level regularly using the plug in the lid. The correct level is even with the bottom of the plug.





SB-13

## OPERATING INSTRUCTIONS

1. Do not operate the blower in the fully raised position. The three-point hitch on some tractors rises high enough to cause the PTO shaft to bind. This can cause damage to the PTO shaft and/or to the hitch and pins.
2. Depth of cut can be partially controlled by tilting the blower forward or backward. Adjust the tractor quick hitch so the snowblower is just slightly tilted back when resting on the ground.  
 **CAUTION:** Excessive backward tilt may cause the "U" joints to flutter resulting in PTO shear bolt failure.
3. Run the blower at low rpm to check operation before blowing snow.
4. The snowblower has two shear bolts to protect the tractor and blower in case a large object enters the blower. PTO shear bolt - two 5/16" x 1" (Grade 8); Auger shear bolt – 5/16" x 1 1/4" (Grade 5). Shear bolts should be fastened with a lock nut or two jam nuts. These bolts must be kept tight to prevent wear of the bolt and bolt holes.
5. Never run PTO shaft at over 600 rpm.
6. Chain Tension: Slack on the lower side of the chain should be 3/8" to 1/2".
7. Lubrication:
  - a) The spout clamps and rings should be periodically lubricated with gun grease.
  - b) PTO shaft universal joints and square shaft slide should be greased daily.
  - c) Regularly oiling the chain will significantly increase the life of the chain.
  - d) The grease fitting on the hydraulic spout swivel arm should be kept lubricated.
  - e) Gearbox - Use any 80-90 gear oil or multigrade with 80 minimum.
8. Periodically check all bolts for tightness. The bolt holding on the fan and the bearing bolts are of particular importance.

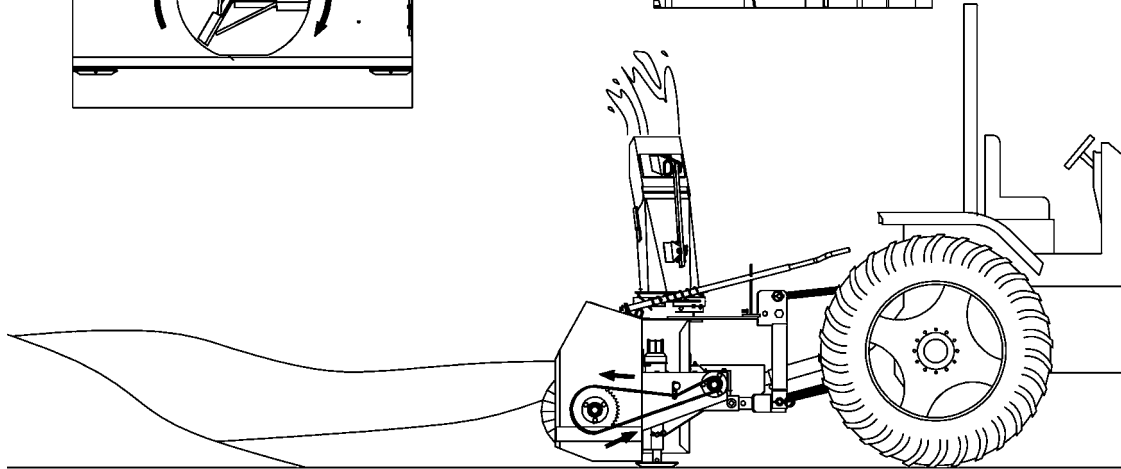
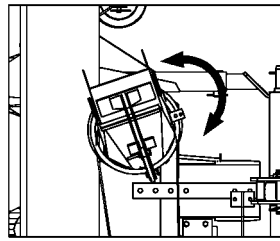
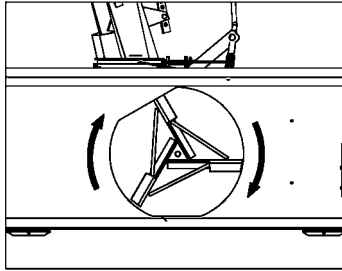
**OPERATING INSTRUCTIONS – cont'd.**

9.  **Danger:** Always stop blowing for servicing or unplugging. The PTO should be disengaged before dismounting from the tractor.
10.  **Caution:** Always check to see that both ends of the PTO shaft are securely attached as per instructions every time you are preparing to use the Snowblower.
11. **Shear Sprocket:** The shear sprocket (#24) should be checked at the beginning of every season to make sure it will spin freely. With time this sprocket could corrode and seize which will not allow the shear bolt to break if something jams in the snowblower auger. Clean to loosen if necessary.
12. When replacing bearings or tightening a loose bearing collar, always tighten collar in the direction of shaft rotation using a center punch or a similar tool.

**THEORY OF OPERATIONS**

ROTATE SPOUT  
LEFT OR RIGHT

FAN BLADE ROTATION



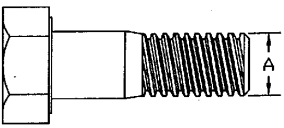
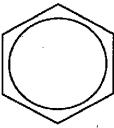


↑  
UNCLEARED SNOW

↑  
CLEARED SNOW

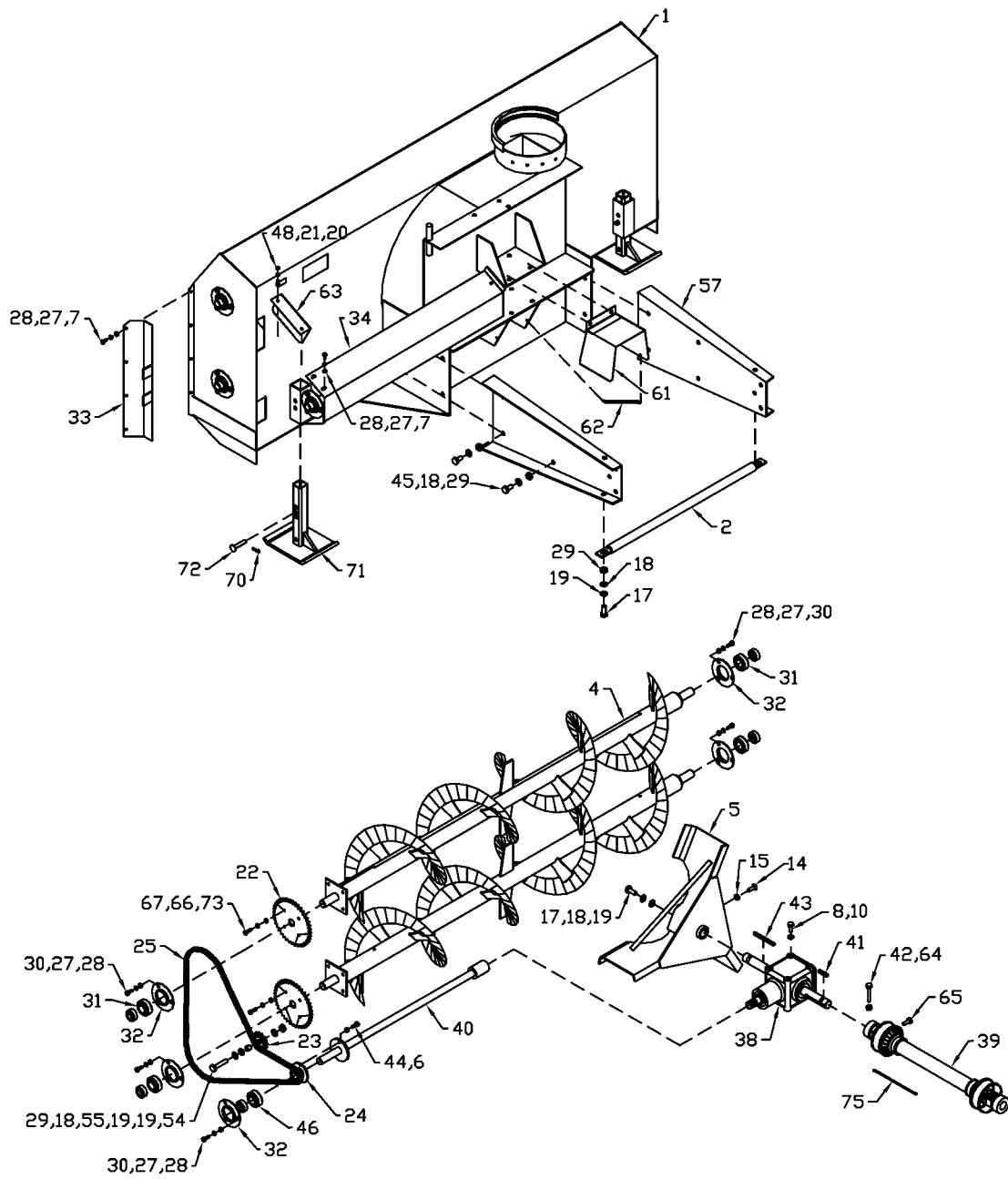
SB-36

**MAINTENANCE**

**Bolt Torque**

 Bolt Diameter	 SAE2		 SAE5		 SAE8	
	N.m	lb-ft	N.m	lb-ft	N.m	lb-ft
"A"						
1/4"	8	6	12	9	17	12
5/16"	13	10	25	19	36	27
3/8"	27	20	45	33	63	45
7/16"	41	30	72	53	100	75
1/2"	61	45	110	80	155	115
9/16"	95	70	155	115	220	165
5/8"	128	95	215	160	305	220
3/4"	225	165	390	290	540	400
7/8"	230	170	570	420	880	650
1"	345	225	850	630	1320	970

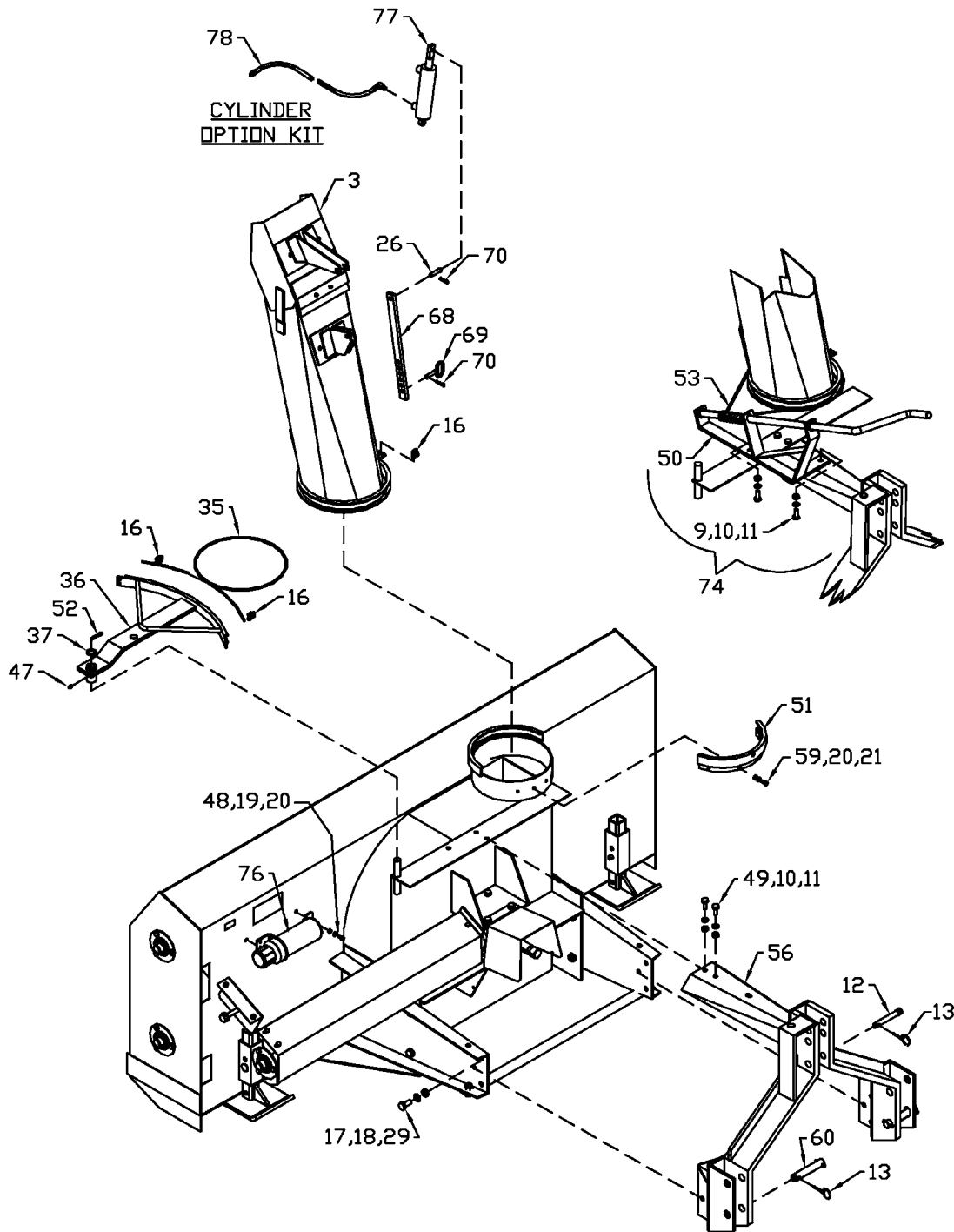
96" SNOWBLOWER W/QUICK HITCH



SB-21



96" SNOWBLOWER W/QUICK HITCH



SB-22

**WHEN ORDERING PARTS**

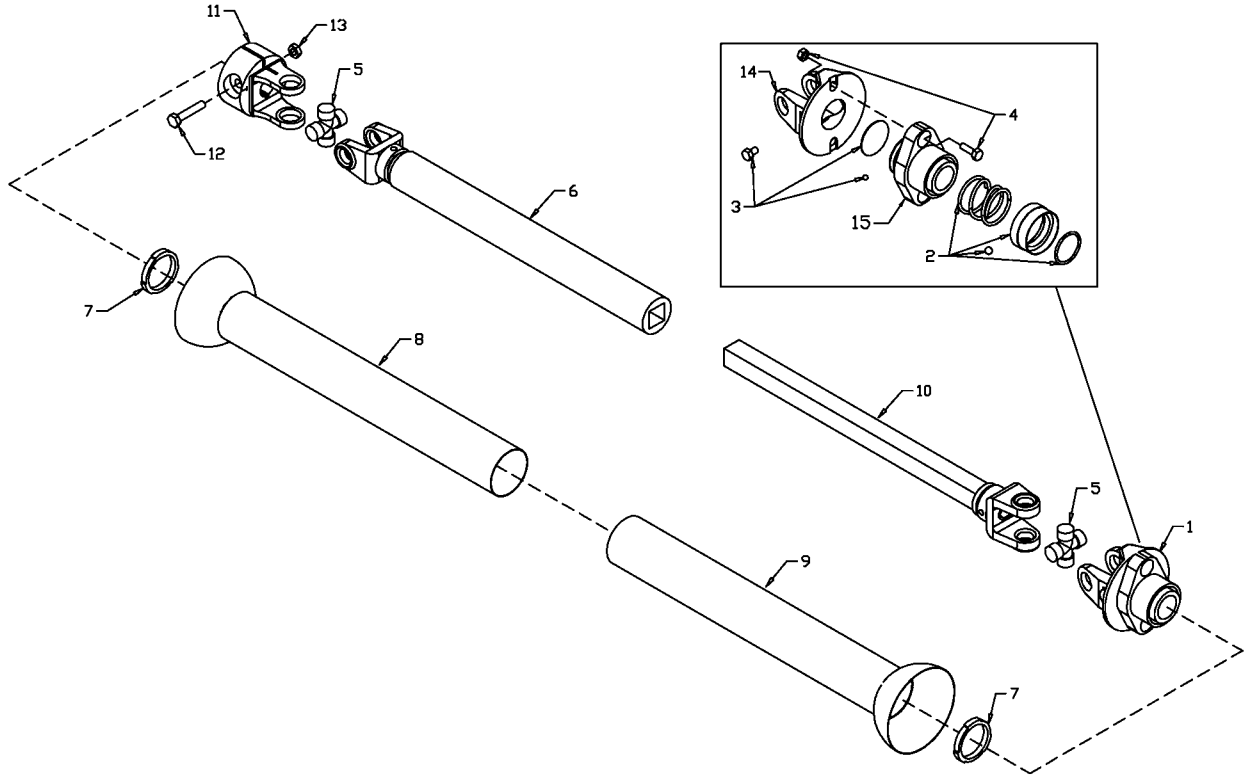
Always give your dealer the Model, Color and Serial Number of your machine to assist him in ordering and obtaining the correct parts. Use the exploded view and tabular listing of the area of interest to exactly identify the required part.

**960 SNOWBLOWERS**

<b>ITEM</b>	<b>PART #</b>	<b>DESCRIPTION</b>
1	902403	Main Body
2	965959	Hitch Cross Brace
3	965648	Spout Weldment
4	965904	Auger
5	965905	Fan Assy (Standard 3-Blade)
	965448	Fan Assy (Optional 4-Blade)
6	812362	5/16" Lock Nut
7	84072	3/8" x 3/4" Hex Bolt
8	81619	1/2" x 1" Hex Bolt
9	81620	1/2" x 1 1/4" Hex Bolt
10	81637	1/2" Lock Washer
11	81636	1/2" Hex Nut
12	965910	Top Link Pin (Category 2)
13	965911	Linch Pin
14	84111	1/2" x 1 1/4" Sq. Hd. Set Screw
15	984077	1/2" Jam Nut
16	961658	1/4" Cable Clamp
17	84268	5/8" x 1 1/2" Hex Bolt
18	81677	5/8" Lock Washer
19	81678	5/8" B.S. Flat Washer
20	81569	5/16" Lock Washer
21	81568	5/16" Hex Nut
22	965912	40 Tooth Sprocket, #60, 1 3/8" Bore
23	965962	Idler Sprocket, #60 x 13 Tooth
24	965914	13 Tooth Sprocket, #60, 1 1/4" Bore (Shear)
25	965972	Roller Chain (#60 x 117 Link with Connector & Offset)
26	961876	1/2" x 1 1/2" Clevis Pin
27	81593	3/8" Lock Washer
28	81592	3/8" Hex Nut
29	81676	5/8" Hex Nut
30	86170	3/8" x 1" Hex Bolt
31	965917	1 3/8" Bearing w/ Collar
32	961675	Flange Bearing (72MS)
33	965963	Chain Guard
34	965919	Drive Shaft Guard

35	965964	1/4" Cable x 70" Long
36	965923	Swivel Arm
37	967140	1" x 10ga Narrow Rim Washer
38	BU50505	Gearbox Complete w/o Oil
39	F0585	PTO Shaft Complete
40	965925	Drive Shaft
41	968807	3/8" x 3/8" x 2" Key
42	81627	1/2" x 3" Hex Bolt
43	902377	3/8" x 3/8" x 4 3/4" Key
44	81552	5/16" x 1 1/4" Gr. 5 Hex Bolt
45	811702	5/8" x 1 1/4" Hex Bolt
46	961676	1 1/4" Bearing w/ Collar
47	967164	Pound-In Grease Fitting
48	81549	5/16" x 3/4" Hex Bolt
49	81620	1/2" x 1 1/4" Hex Bolt
50	965803	Hand Crank Weldment
51	965970	Spout Clamp
52	9812433	3/16" x 1 1/2" Cotter Pin
53	965927	3/16" Cable x 100" Long
54	84289	5/8" x 3" Hex Bolt
55	965928	Idler Spacer, 3/4" Long
56	F9203	F.K. Quick Hitch
57	965952	Quick Hitch Arm
59	812026	5/16" x 1" Hex Bolt
60	965966	Quick Hitch Lift Pin (Category 2)
61	908715	PTO Shield
62	960135	PTO Shield Spring
63	965968	Idler Shield
64	812364	1/2" Lock Nut
65	988999	3/8" x 3/8" Socket Set Screw
66	81593	3/8" Lock Washer
67	81592	3/8" Hex Nut
68	965646	Spout Adjustment Bar
69	903523	1/2" x 1 1/2" Adjustment Pin Weldment
70	961012	#16 Hair Pin Clip
71	910191	Skid Plate Weldment
	F0947	Skid Plate Bundle
72	900712	Skid Pin (5/8" x 3")
73	86171	3/8" x 1 1/4" Hex Bolt
74	F9102	Hand Crank Assembly (Complete Kit)
75	936402	PTO Safety Chain
76	909277	Manual Holder
77	24930	Cylinder 1.75"Dia x 5.0 - 9/16" ORB
78	115370	3/8" x 114" Hyd Hoses C/W Fittings

**96" FARM KING SNOWBLOWER PTO  
(Standard and Optional Long)**



SB-24

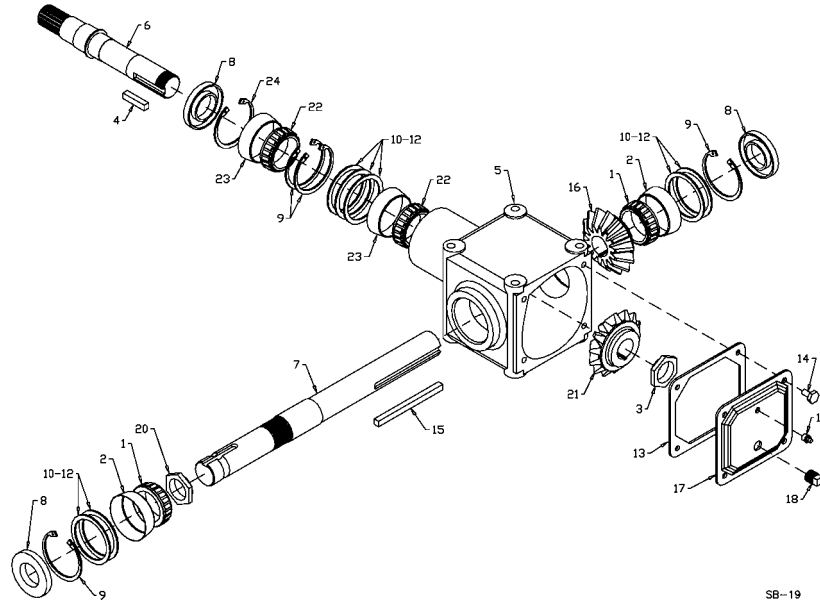
**960 FARM KING SNOWBLOWER PTO (Standard)**

<b>Item #</b>	<b>Part #</b>	<b>Description</b>
	F0585	Shaft Complete
	907987	Tractor Half of PTO (Shear)
	907988	Implement Half of PTO (Clamp Yoke)
1	907989	Shear Assembly
2	936199	Safety Slide Lock Repair Kit (Collar, Spring, Ret. Ring, 2-Pawls)
3	936249	Shear Assembly Repair Kit (3/8" x 1/2" Bolt, Lube, Blank, 31-1/4" Balls)
4	903297	Shear Bolt - 5/16" x 1" (Grade 8) (Pack of 10)
5	936197	Repair Kit (Option)
	906548	Extended Life Repair Kit (Std.)
6	907994	Yoke & Tube
7	907991	Nylon Bearing
8	907993	Inner Shield
9	907992	Outer Shield
10	907990	Yoke & Shaft
11	907995	Clamp Yoke
12	81627	1/2" x 3" Hex Bolt (pl)
13	812364	1/2" Lock Nut (pl)
14	908002	Shear Yoke
15	936411	6 Spl Shear Hub

**960 FARM KING SNOWBLOWER PTO (Optional Long)**

<b>Item #</b>	<b>Part #</b>	<b>Description</b>
	F0586	Shaft Complete
	907996	Tractor Half of PTO (Shear)
	907997	Implement Half of PTO (Clamp Yoke)
1	907989	Shear Assembly
2	936199	Safety Slide Lock Repair Kit (Collar, Spring, Ret. Ring, 2-Pawls)
3	936249	Shear Assembly Repair Kit (3/8" x 1/2" Bolt, Lube, Blank, 31-1/4" Balls)
4	903297	Shear Bolt - 5/16" x 1" (Grade 8) (Pack of 10)
5	936197	Repair Kit (Option)
	906548	Extended Life Repair Kit (Std.)
6	907998	Yoke & Tube
7	907991	Nylon Bearing
8	907999	Inner Shield
9	908000	Outer Shield
10	908001	Yoke & Shaft
11	907995	Clamp Yoke
12	81627	1/2" x 3" Hex Bolt (pl)
13	812364	1/2" Lock Nut (pl)
14	908002	Shear Yoke
15	936411	6 Spl Shear Hub

**96" FARM KING SNOWBLOWER GEARBOX**



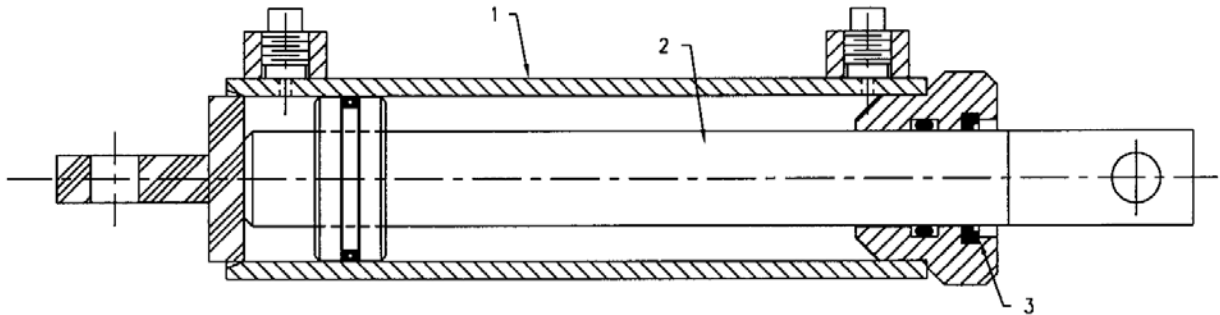
SB-19

**GEARBOX ASSEMBLY PARTS LIST - BU50505**

Item #	Part #	Description
1	BU575901	Bearing Cone (13687)
2	BU575902	Bearing Cup (13620)
3	BU50444	Staking Lock Nut
4	BU50417-1	Key
5	BU50310	Gear Box Casting
6	BU50502	Pinion Shaft
7	BU50507	Cross Shaft
8	BU50422-1	Oil Seal
9	BU50415	Retaining Ring
10	BU50414-1	0.005 Shim
11	BU50414-2	0.010 Shim
12	BU50414-3	0.020 Shim
13	BU50458	Gasket
14	BU500397-6	5/16" x 5/8" Hex Bolt
15	BU50429	Key
16	BU50329	Bevel Gear
17	BU50457	Cover Plate
18	BU500089-3	3/8" Pipe Plug
19	BU500167-1	1/8" Relief Valve
20	BU50428	Staking Lock Nut
21	BU50331	Bevel Gear
22	BU575906	Bearing Cone (14137A)
23	BU575907	Bearing Cup (14276)
24	BU278811	Retaining Ring

**1.75 X 5 CYLINDER ASSEMBLY**

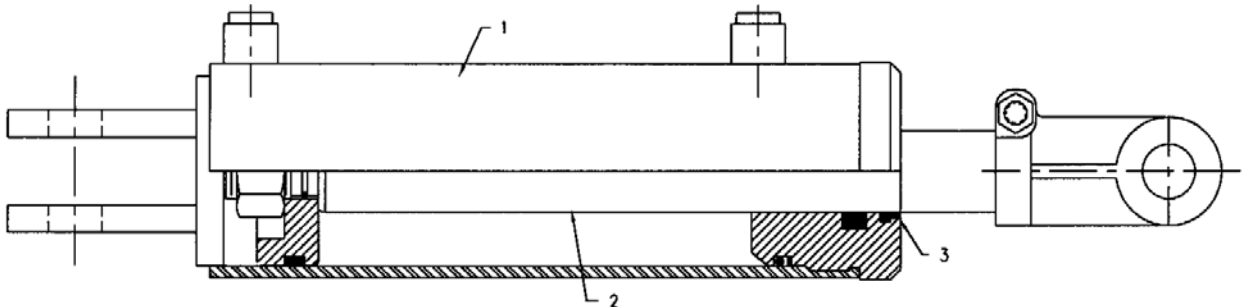
Item #	Part #	Description
	24930	Cyl Complete
1	115367	Tube Weldt
2	112104	Shaft Weldt 1.0 Dia
3	X2669	Seal Kit



24930

**3.5 x 8 CYLINDER ASSEMBLY**

Item #	Part #	Description
	24803	Cyl Complete
1	24804	Tube Weldt
2	113934	Piston Rod 1.5 Dia
3	X2098	Seal Kit



24803



**SHIPPING KIT AND BUNDLE NUMBERS**

The following is a list of kit numbers for this product and the bundle numbers, descriptions, and quantities for each kit.

<b>QUANTITY</b>	<b>BUNDLE NO.</b>	<b>DESCRIPTION</b>
<b>Y960Q 96" Farm King Snowblower w/Hydraulic Chute Control &amp; 3-Blade Fan</b>		
1	F0624	Body Assembly
1	F9203	Quick Hitch
1	F9211	Spout Assembly
1	F0585	Standard PTO
<b>Y960Q-4 96" Farm King Snowblower w/Hydraulic Chute Control &amp; 4-Blade Fan</b>		
1	F9203	Quick Hitch
1	F9211	Spout Assembly
1	F0625	Body Assembly
1	F0585	Standard PTO
<b>Y960QL 96" Farm King Snowblower w/Hydraulic Chute Control, Long PTO &amp; 3 Blade Fan</b>		
1	F0624	Body Assembly
1	F9203	Quick Hitch
1	F9211	Spout Assembly
1	F0586	Long PTO
<b>Y960QL-4 96" Farm King Snowblower w/Hydraulic Chute Control, Long PTO &amp; 4-Blade Fan</b>		
1	F0586	Long PTO
1	F9203	Quick Hitch
1	F9211	Spout Assembly
1	F0625	Body Assembly

**OPTIONAL BUNDLE NUMBERS**

The following is a list of options available for the Kits listed above.

- F0585 – Standard PTO
- F0586 – 36" PTO (optional long)
- F9102 – Hand crank Kit
- F9107 – Hydraulic Chute Control Kit
- F9116 – Hydraulic Cylinder & Hose Kit for Spout Swivel
- F9117 – Spout Deflector Cylinder & Hose Kit
- Y902 – Quick Hitch Kit

## NOTES



## DIVISION LOCATIONS

Farm King Division  
301 Mountain Street S.  
Morden, MB R6M 1X7  
Ph.: (204) 822-4467  
Fax: (204) 822-6348

Allied/Inland Division  
1260 Clarence Avenue  
Winnipeg, MB R3T 1T2  
Ph.: (204) 284-6100  
Fax: (204) 477-2325

B.I.I. Division  
1330 43<sup>rd</sup> Street N.W.  
Fargo, ND 58102  
Ph: (701) 282-7014  
Fax: (701) 282-5865

## U.S. WAREHOUSES

AR, West Memphis  
(870) 732-3132

GA, Stone Mountain  
(770) 908-9439

ID, Meridian  
(208) 887-6006

IN, Clarksville  
(812) 284-3376

KS, Wichita  
(316) 265-9577

MN, Lakeville  
(952) 469-5267

MT, Billings  
(406) 248-7771

ND, Bismarck  
(701) 223-1886

ND, Fargo  
(701) 282-7003

NE, Blair  
(402) 426-8211

OH, Youngstown  
(330) 793-0862

OR, Beaverton  
(503) 641-1865

SD, Huron  
(605) 352-8616

TX, Houston  
(713) 928-2632

UT, Salt Lake City  
(801) 972-4321

WI, Portage  
(608) 742-1370

## CANADIAN WAREHOUSES

B.C., Abbotsford  
(604) 864-2665

AB, Edmonton  
(780) 962-6991

SK, Regina  
(306) 781-2300

ON, Woodstock  
(519) 539-0435

QC, Dorion  
(450) 455-4840

## OFFSHORE WAREHOUSES

Burando Hill  
Katanning  
W. Australia  
011-618-98-214422

Chihuahua, Mexico  
011-52-158-90306

John Kerr Equipment Ltd.  
Wilcoxholm Farm  
Linlithgow, W. Lothian  
Scotland  
011-441-506-842280

Skovde, Sweden  
011-46-500-452651

Naestved, Denmark  
011-45-557-29511

# bühler

**Buhler Manufacturing**

**301 Mountain Street S.  
Morden MB.  
R6M 1X7  
Ph.: (204) 822-4467  
Fax: (204) 822-6348  
[www.buhler.com](http://www.buhler.com)**